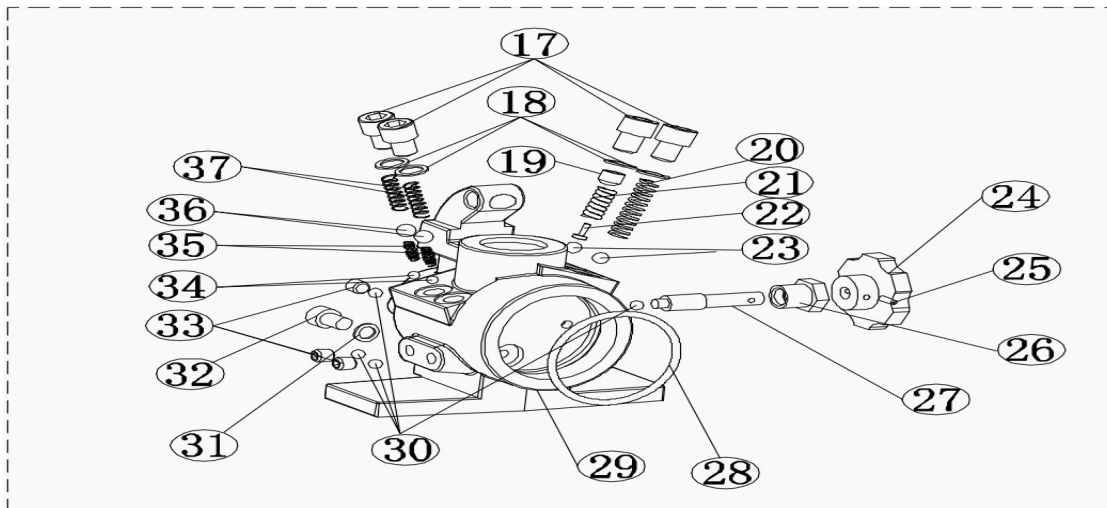
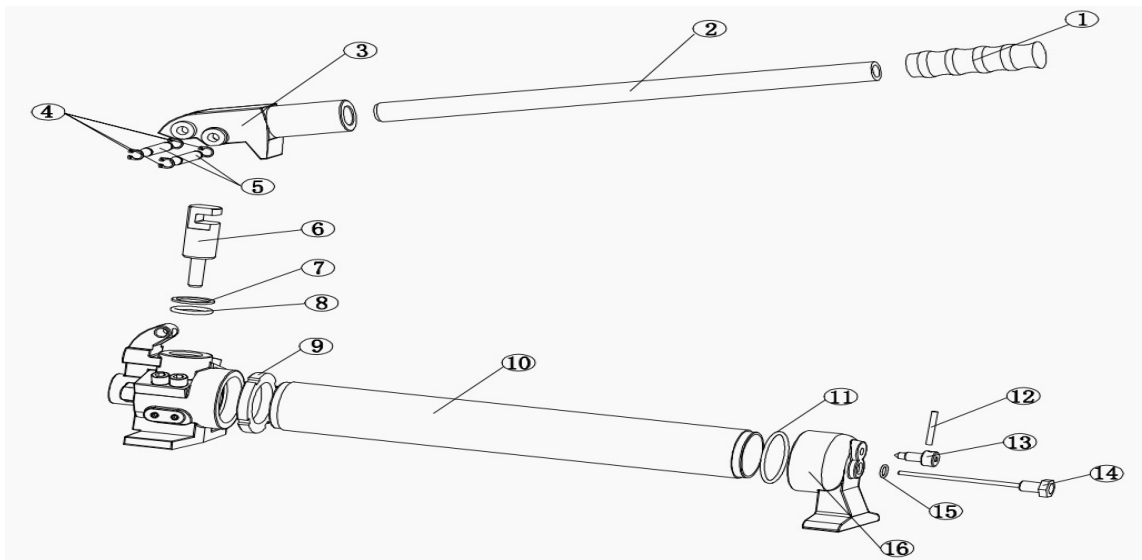


## HP7-0.7 Series – Steel Hand Pumps

Doc. : L1018A Date : 2019/12





Tighten The Safety, Lift Your Business

## Repair Parts Sheet

HP7-0.7

## HP7-0.7 Series – Steel Hand Pumps

Item NO.	Description	Qty	HP7-0.7
1	Handle Sleeve	1	AIPI-1.3.900.10011
2	Handle Bar	1	AIPI-1.3.900.10012
3	Handle Seat	1	AIPI-1.3.900.10013
4	Circlip	4	-
5	Short Pin (Item #4 Included)	2	AIPI-1.3.900.10015
6	Piston Rod	1	AIPI-1.3.900.10016
7	Check Ring	1	*
8	O-Ring Seal	1	*
9	Clamp Ring	1	AIPI-1.3.900.10019
10	Cylinder	1	AIPI-1.3.900.10020
11	O-Ring Seal	1	*
12	Cylindrical Pin	1	-
13	Air Plug (Item #12 Included)	1	AIPI-1.3.900.10023
14	Oil Filler Plug (Item #15 Included)	1	AIPI-1.3.900.10024
15	O-Ring Seal	1	-
16	Rear Covet	1	AIPI-1.3.900.10026
17	Hexagon Socket Head Cap Screws	4	●
18	Seal Copper Pad	4	●
19	Hexagon Socket Plain End Set Screw	1	●
20	Spring	1	●
21	Spring	1	●
22	Spring Seat	1	●
23	Steel Ball	2	●
24	Hand Wheel Adjusting pressure (#25 to #27 Included)	1	AIPI-1.3.900.10034
25	Cylindrical Pin	1	-
26	Unload Seat	1	-
27	Handwheel Screw	1	-
28	O-Ring Seal	1	*
29	O-Ring Seal	1	AIPI-1.3.900.10039
30	Steel Ball	4	●
31	Seal Copper Pad	1	●
32	Hexagon Socket Head Cap Screws	1	●
33	Hexagon Socket Plain End Set Screw	3	●
34	Steel Ball	2	●
35	Spring	2	●
36	Steel Ball	2	●
37	Spring	2	●
*	Seal Kit	1	AIPI-HP7-0.7-SK
●	Repair Kit	1	AIPI-HP7-0.7-RK