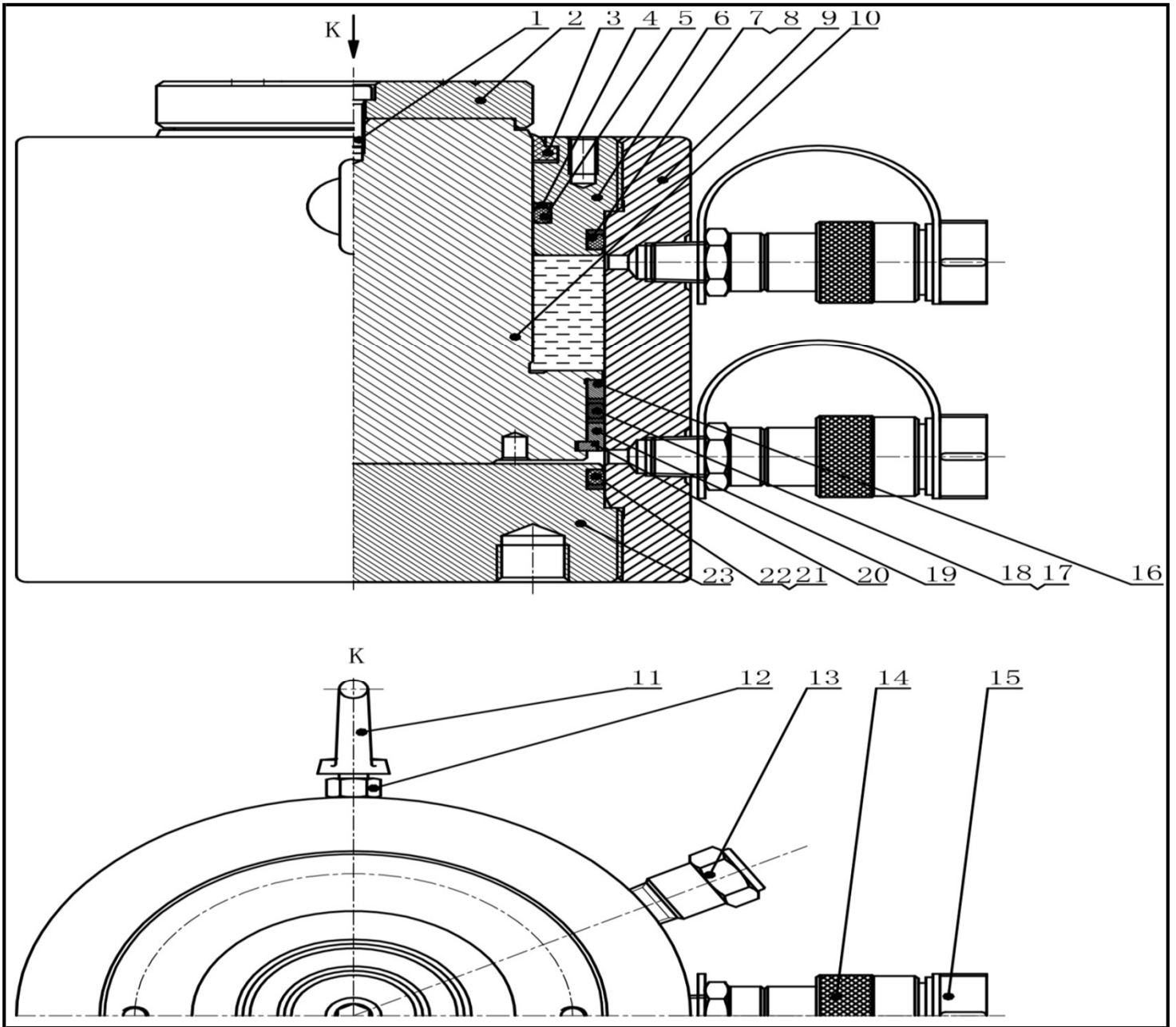


Double-Acting High Tonnage Cylinders - DRC series

Doc. : L1015A Date : 2018/12



Item NO.	Description	Qty	Part NO.		
			DRC300-100	DRC300-200	DRC300-300
1	Hexagon socket head cap screws	1	-		
2	Lifting head (Item #1 included)	1	2.001.00094		
3	J-dustband	1	•		
4	Backup Washer	1	•		
5	O-ring	1	•		
6	Guide cap	1	2.001.00039		
7	Backup Washer	1	•		
8	O-ring	1	•		
9	Oil cylinder	1	2.001.02603 (DRC300-100)		
		1	2.001.00279 (DRC300-200)		
		1	2.001.01248 (DRC300-300)		
10	Piston rod	1	2.001.02604 (DRC300-100)		
		1	2.001.00158 (DRC300-200)		
		1	2.001.01249 (DRC300-300)		
11	Lifting bolt (Item #12 included)	2	1.3.009.00002		
12	Hexagon nut	2	-		
13	Safety valve	1	2.008.00047		
14	Female connector	2	1.3.025.00004		
15	Connector protective jacket for NPT3/8"	2	1.3.097.00002		
16	Front guide sleeve	1	2.001.00228		
17	Backup Washer	2	•		
18	O-ring	1	•		
19	Back guide sleeve	1	2.001.00141		
20	Semi-ring	1	2.001.00012		
21	Backup Washer	1	•		
22	O-ring	1	•		
23	Bottom cap	1	2.001.00067		
•	Repair kit	1	DRC300-RK		