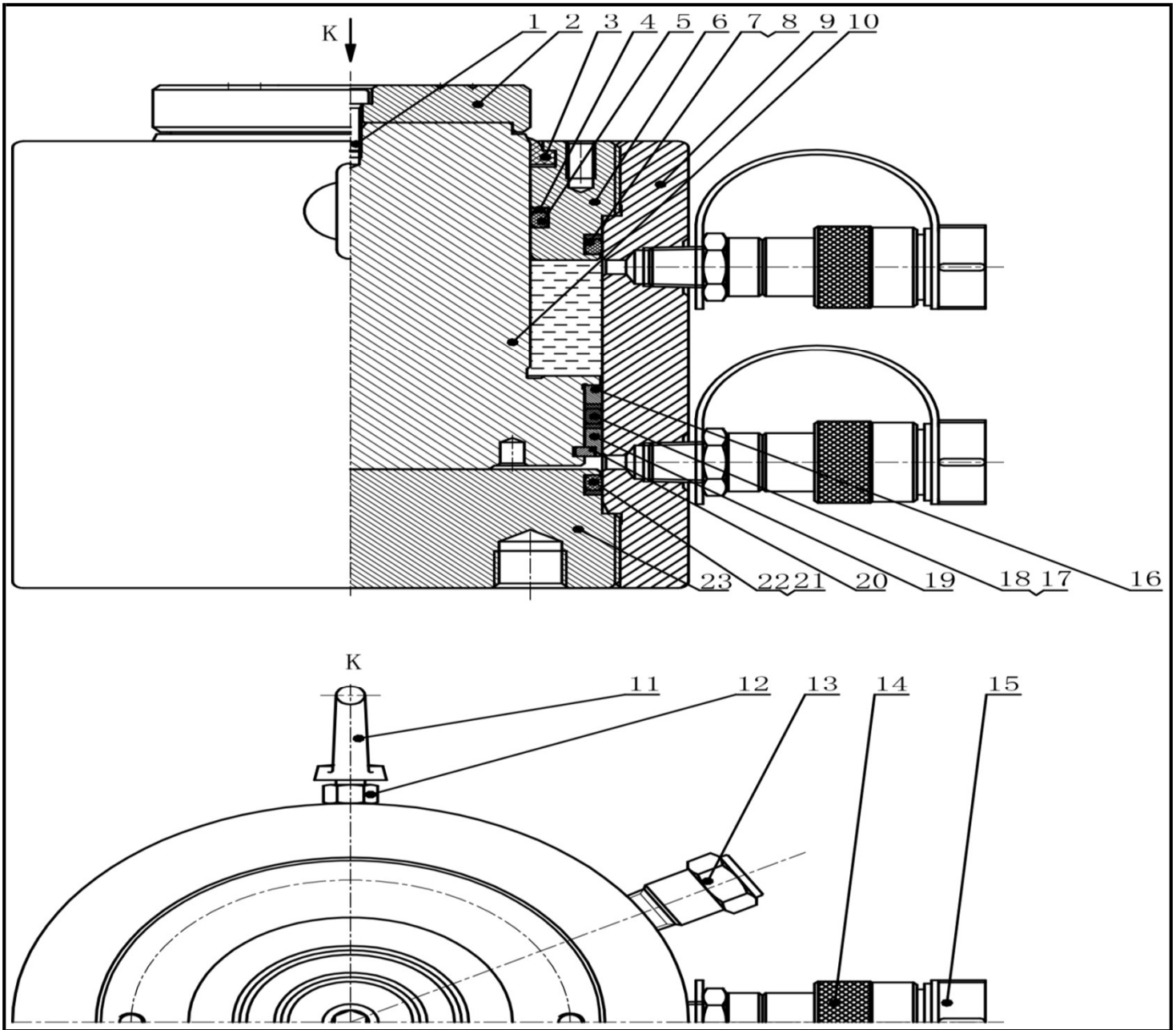


Double-Acting High Tonnage Cylinders - DRC series

Doc. : L1012A Date : 2018/12



Item NO.	Description	Qty	Part NO.			
			DRC200-100	DRC200-150	DRC200-200	DRC200-300
1	Hexagon socket head cap screws	1				-
2	Lifting head (Item #1 included)	1				2.001.00093
3	J-dustband	1				●
4	Backup Washer	1				●
5	O-ring	1				●
6	Guide cap	1				2.001.00038
7	Backup Washer	1				●
8	O-ring	1				●
9	Oil cylinder	1				2.001.01440 (DRC200-100)
		1				2.001.01438 (DRC200-150)
		1				2.001.00278 (DRC200-200)
		1				2.001.00480 (DRC200-300)
10	Piston rod	1				2.001.01439 (DRC200-100)
		1				2.001.01437 (DRC200-150)
		1				2.001.00157 (DRC200-200)
		1				2.001.00481 (DRC200-300)
11	Lifting bolt (Item #12 included)	2				1.3.009.00002
12	Hexagon nut	2				-
13	Safety valve	1				2.008.00047
14	Female connector	2				1.3.025.00004
15	Connector protective jacket for NPT3/8"	2				1.3.097.00002
16	Front guide sleeve	1				2.001.00227
17	Backup Washer	2				●
18	O-ring	1				●
19	Back guide sleeve	1				2.001.00140
20	Semi-ring	1				2.001.00011
21	Backup Washer	1				●
22	O-ring	1				●
23	Bottom cap	1				2.001.00066
●	Repair kit	1				DRC200-RK