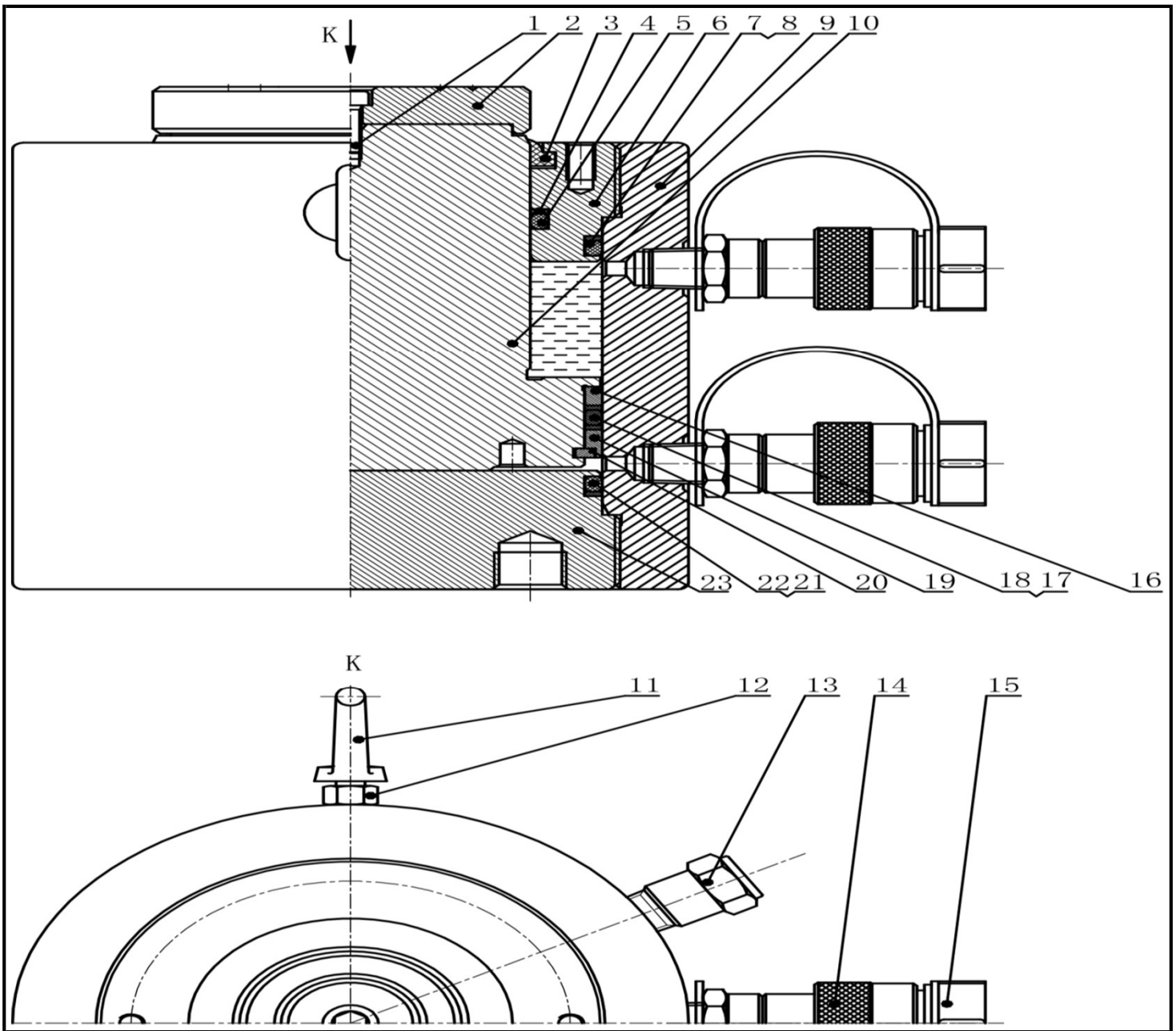


## Double-Acting High Tonnage Cylinders - DRC series

Doc. : L1011A Date : 2018/12



Item NO.	Description	Qty	Part NO.				
			DRC150-50	DRC150-100	DRC150-150	DRC150-200	DRC150-300
1	Hexagon socket head cap screws	1	-				
2	Lifting head (Item #1 included)	1	2.001.02659				
3	J-dustband	1	●				
4	Backup Washer	1	●				
5	O-ring	1	●				
6	Guide cap	1	2.001.02660				
7	Backup Washer	1	●				
8	O-ring	1	●				
9	Oil cylinder	1	2.001.02663 (DRC150-50)				
		1	2.001.02665 (DRC150-100)				
		1	2.001.02667 (DRC150-150)				
		1	2.001.02661 (DRC150-200)				
		1	2.001.02669 (DRC150-300)				
10	Piston rod	1	2.001.02664 (DRC150-50)				
		1	2.001.02666 (DRC150-100)				
		1	2.001.02668 (DRC150-150)				
		1	2.001.02662 (DRC150-200)				
		1	2.001.02670 (DRC150-300)				
11	Lifting bolt (Item #12 included)	2	1.3.009.00006				
12	Hexagon nut	2	-				
13	Safety valve	1	2.008.00047				
14	Female connector	2	1.3.025.00004				
15	Connector protective jacket for NPT3/8"	2	1.3.097.00002				
16	Front guide sleeve	1	2.001.02655				
17	Backup Washer	1	1.3.007.00207				
18	O-ring	2	●				
19	Back guide sleeve	1	●				
20	Semi-ring	1	2.001.02657				
21	Backup Washer	1	●				
22	O-ring	1	●				
23	Bottom cap	1	2.001.02658				
●	Repair kit	1	DRC150-RK				