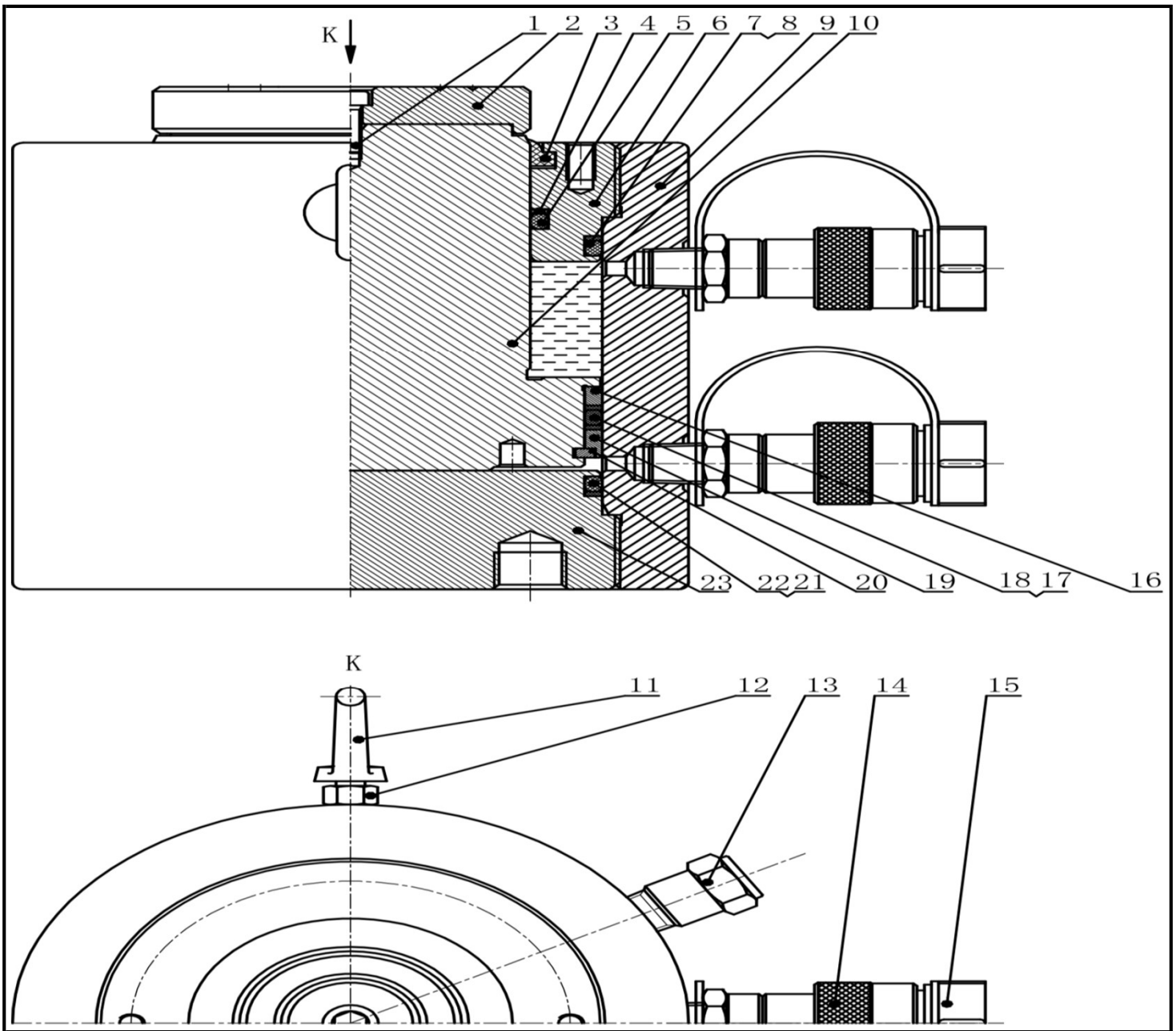


Double-Acting High Tonnage Cylinders - DRC series

Doc. : L1012A Date : 2018/12



Item NO.	Description	Qty	Part NO.				
			DRC100-50	DRC100-100	DRC100-150	DRC100-200	DRC100-300
1	Hexagon socket head cap screws	1	-				
2	Lifting head (Item #1 included)	1	2.001.00092				
3	J-dustband	1	●				
4	Backup Washer	1	●				
5	O-ring	1	●				
6	Guide cap	1	2.001.00036				
7	Backup Washer	1	●				
8	O-ring	1	●				
9	Oil cylinder	1	2.001.02690 (DRC100-50)				
		1	2.001.01424 (DRC100-100)				
		1	2.001.01425 (DRC100-150)				
		1	2.001.00276 (DRC100-200)				
		1	2.001.00277 (DRC100-300)				
10	Piston rod	1	2.001.02689 (DRC100-50)				
		1	2.001.01423 (DRC100-100)				
		1	2.001.01426 (DRC100-150)				
		1	2.001.00155 (DRC100-200)				
		1	2.001.00079 (DRC100-300)				
11	Lifting bolt (Item #12 included)	2	1.3.009.00005				
12	Hexagon nut	2	-				
13	Safety valve	1	2.008.00047				
14	Female connector	2	1.3.025.00004				
15	Connector protective jacket for NPT3/8"	2	1.3.097.00002				
16	Front guide sleeve	1	2.001.00225				
17	Backup Washer	2	●				
18	O-ring	1	●				
19	Back guide sleeve	1	2.001.00139				
20	Semi-ring	1	2.001.00009				
21	Backup Washer	1	●				
22	O-ring	1	●				
23	Bottom cap	1	2.001.00065				
●	Repair kit	1	DRC100-RK				