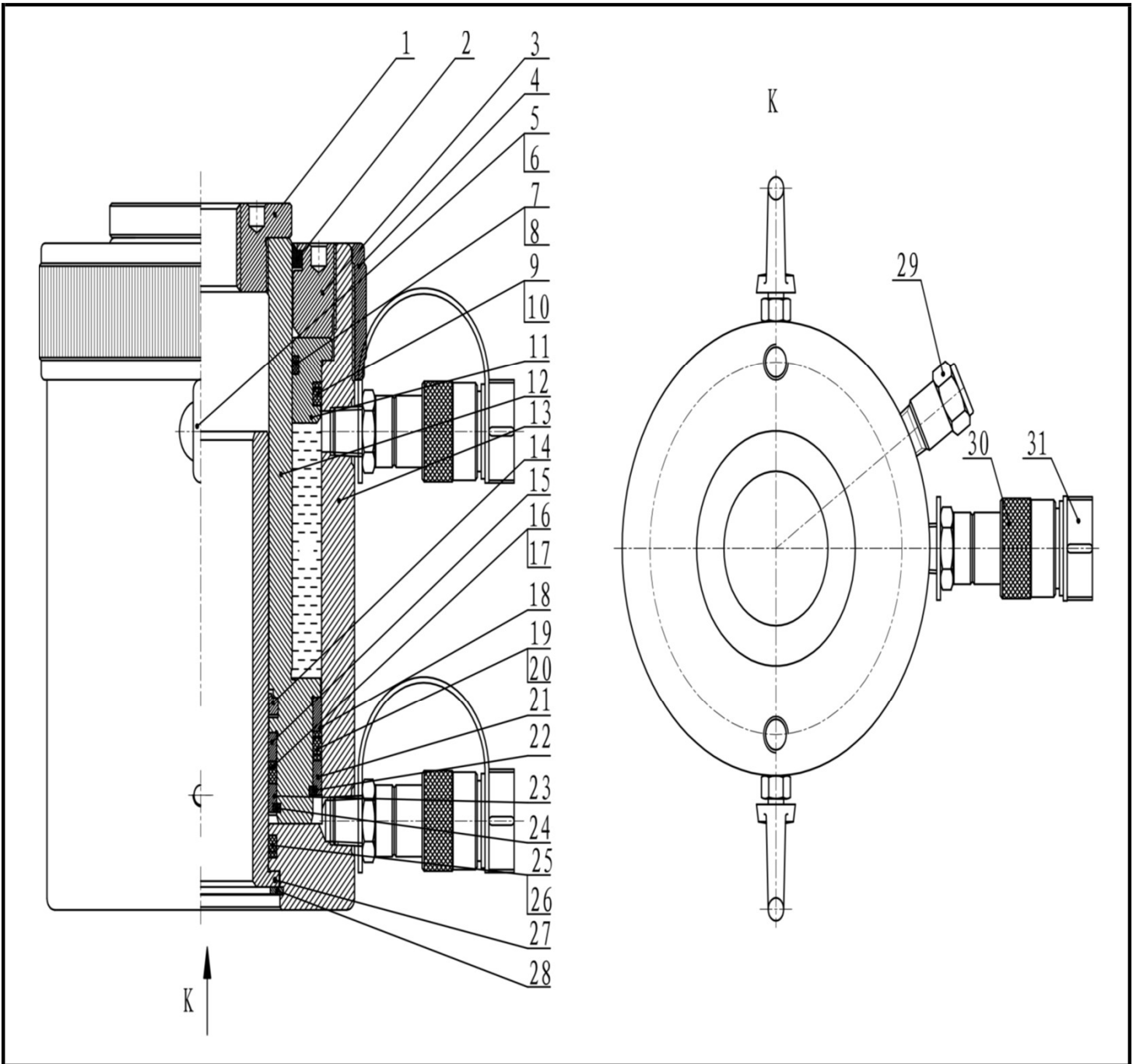


Double-Acting Hollow Cylinders - DHC series

Doc. : L1068A Date : 2018/12



Item NO.	Description	QTY	Part NO.
			DHC300 series
1	Lifting head	1	2.001.02127
2	J-dustband	1	●
3	Guide cap	1	2.001.02922
4	Thread protector	1	2.001.02134
5	Lifting bolt (Item #6 included)	2	1.3.009.00004 (DHC300-178)
		2	1.3.009.00005 (DHC300-258)
6	Hexagon nut	2	-
7	Backup Washer	1	●
8	O - ring	1	●
9	Backup Washer	1	●
10	O - ring	1	●
11	Front guide ring	1	2.001.02923
12	Piston rod	1	2.001.02924 (DHC300-178)
		1	2.001.03306 (DHC300-258)
13	Oil cylinder	1	2.001.02925 (DHC300-178)
		1	2.001.03305 (DHC300-258)
14	J-dustband	1	●
15	Front the inner guide ring	1	2.001.02926 (DHC300-178)
		1	2.001.03309 (DHC300-258)
16	Backup Washer	1	●
17	O - ring	1	●
18	Front guide sleeve	1	2.001.02927 (DHC300-178)
		1	2.001.03307 (DHC300-258)
19	Backup Washer	2	●
20	O - ring	1	●
21	Back the guide sleeve	1	2.001.02928 (DHC300-178)
		1	2.001.03308 (DHC300-258)
22	Semi-ring	1	2.001.02929
23	Back the inner guide sleeve	1	2.001.02930 (DHC300-178)
		1	2.001.03310 (DHC300-258)
24	Inner semi-ring	1	2.001.02931
25	Backup Washer	1	●
26	O - ring	1	●
27	Centre hole	1	2.001.02932
28	Circlips for holes	1	●
29	Safety valve	1	2.008.00047
30	Female connector	2	1.3.025.00004
31	Connector protective jacket for NPT3/8"	2	1.3.097.00002
●	Repair kit	1	DHC 300-RK