



B I A T O O L S

REGULAR SINGLE

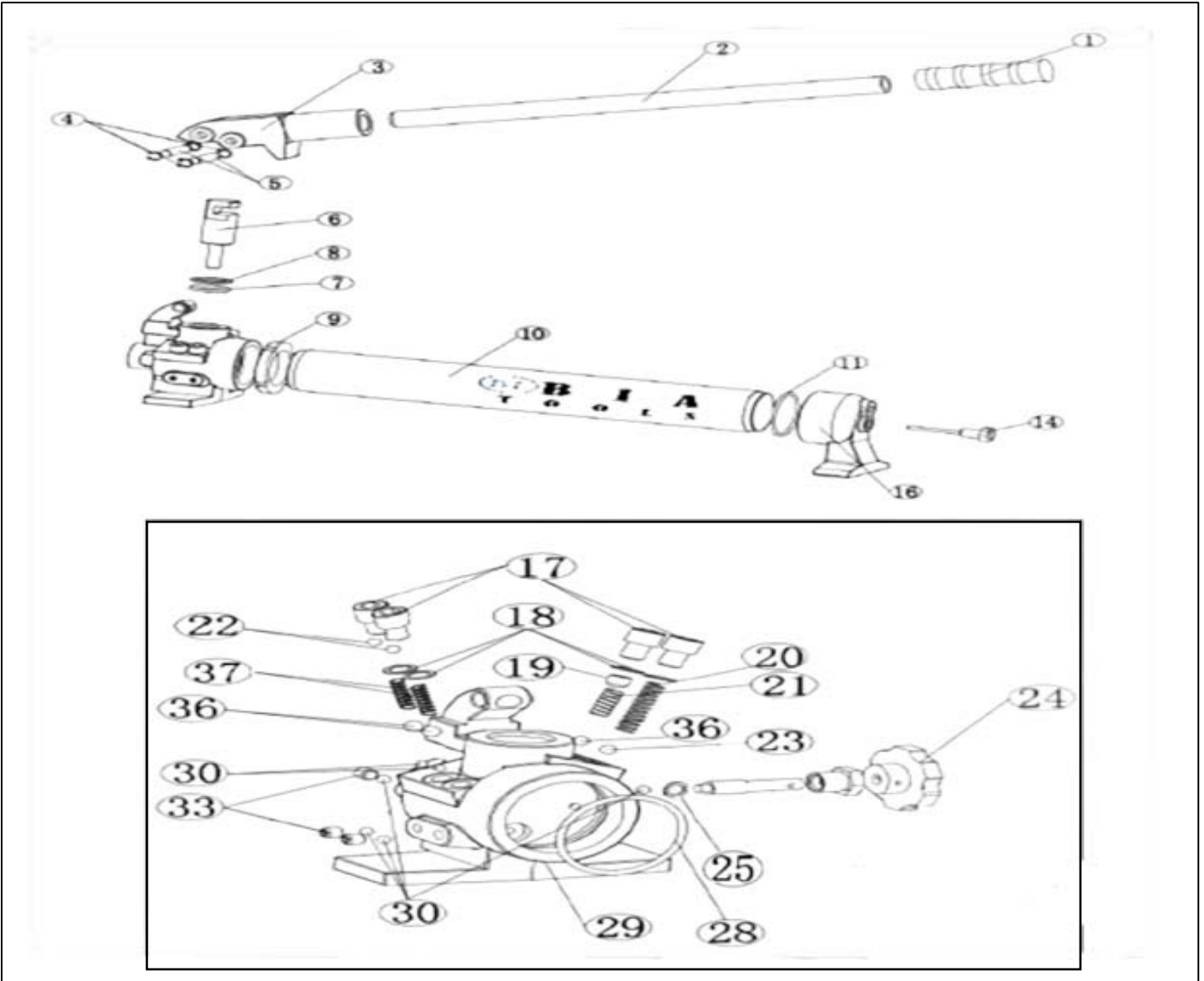
MODEL: HP-700

Form. #

sales@bia-tools.com www.bia-tools.com

Not all components of cylinder are replacement items, but are illustrated as a convenient reference of location and position in the assembly sequence.

PARTS ILLUSTRATION





B I A T O O L S

REGULAR SINGLE ACTING

MODEL: HP-700

Form. #

sales@bia-tools.com www.bia-tools.com

PARTS LIST

ITEM	DESCRIPTION	QTY	HP-700
1	Handle Sleeve	1	BT-HP700-01
2	Handle Bar	1	BT-HP700-02
3	Handle Seat	1	BT-HP700-03
4	Circlip	4	-
5	Short Pin (Included Item #4)	2	BT-HP700-05
6	Piston Rod	1	BT-HP700-06
7	O-Ring Seal	2	*
8	Check Ring	1	*
9	Clamp Ring	1	BT-HP700-09
10	Cylinder	1	BT-HP700-10
11	O-Ring Seal	1	*
14	Oil Filler Plug	1	BT-HP700-14
16	Rear Cover	1	BT-HP700-16
17	Hexagon Socket Head Cap Screws	4	*
18	Seal Copper Pad	4	*
19	Hexagon Socket Plain End Set Screw	1	*
20	Spring	1	*
21	Spring	1	*
22	Steel Ball	2	*



B I A
T O O L S

REGULAR SINGLE ACTING

MODEL: HP-700

Form. #

sales@bia-tools.com www.bia-tools.com

PARTS LIST

ITEM	DESCRIPTION	QTY	HP-700
23	Steel Ball	1	*
24	Pressure Relief Valve	1	BT-HP700-24
25	O-Ring	1	*
28	O-Ring Seal	1	*
29	Pump Body	1	BT-HP700-29
30	Steel Ball	6	*
33	Hexagon Socket Plain End Set Screw	3	*
36	Steel Ball	3	*
37	Spring	2	*
*	Included in Repair Kit	1	BT-HP700-RK