



B I A T O O L S

REGULAR SINGLE ACTING

MODEL: HP-464

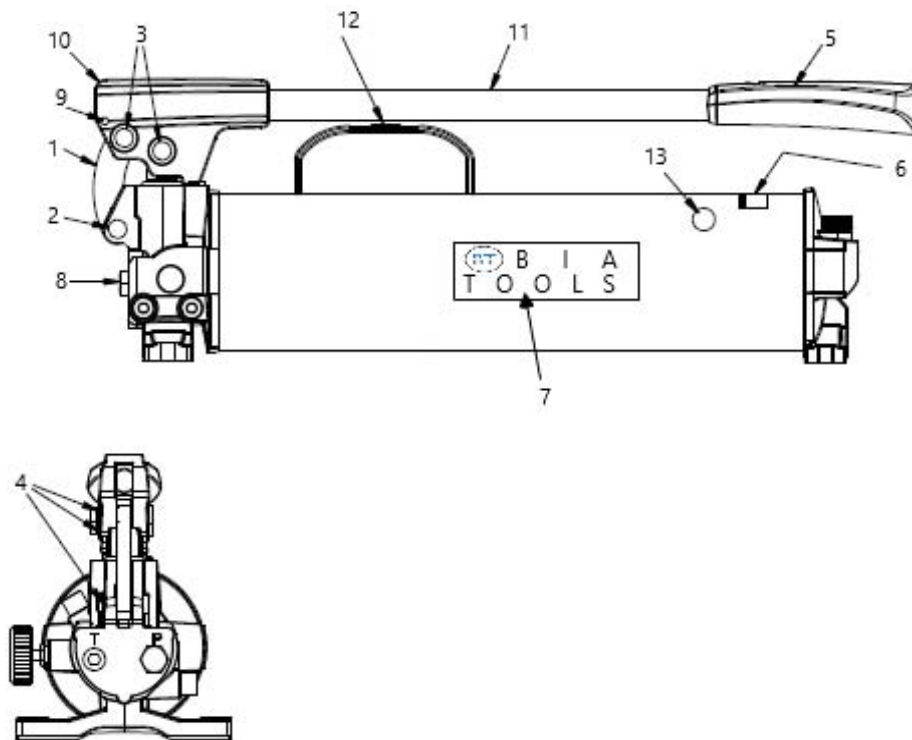
Form. #

FIG 1

sales@bia-tools.com www.bia-tools.com

Not all components of cylinder are replacement items, but are *illustrated as a convenient reference* of location and position in the assembly sequence.

PARTS ILLUSTRATION





B I A
T O O L S

REGULAR SINGLE ACTING

MODEL: HP-464

Form. #

FIG 1

sales@bia-tools.com www.bia-tools.com

PARTS LIST

ITEM	DESCRIPTION	QTY	HP-464
1	Linkage	1	BT-HP464-01
2	Pin	1	BT-HP464-02
3	Pin	2	BT-HP464-03
4	Retaining Ring	3	BT-HP464-04
5	Grip, Handle	1	BT-HP464-05
6	Decal, Product Spec	1	BT-HP464-06
7	Decal	2	BT-HP464-07
8	Plug, Shipping	1	BT-HP464-08
9	Spring Pin	1	BT-HP464-09
10	Beam Subassembly	1	BT-HP464-10
11	Tubing, Handle	1	BT-HP464-11
12	Decal, Warning	1	BT-HP464-12
13	Decal, Read Instruction	1	BT-HP464-13



B I A
T O O L S

REGULAR SINGLE ACTING

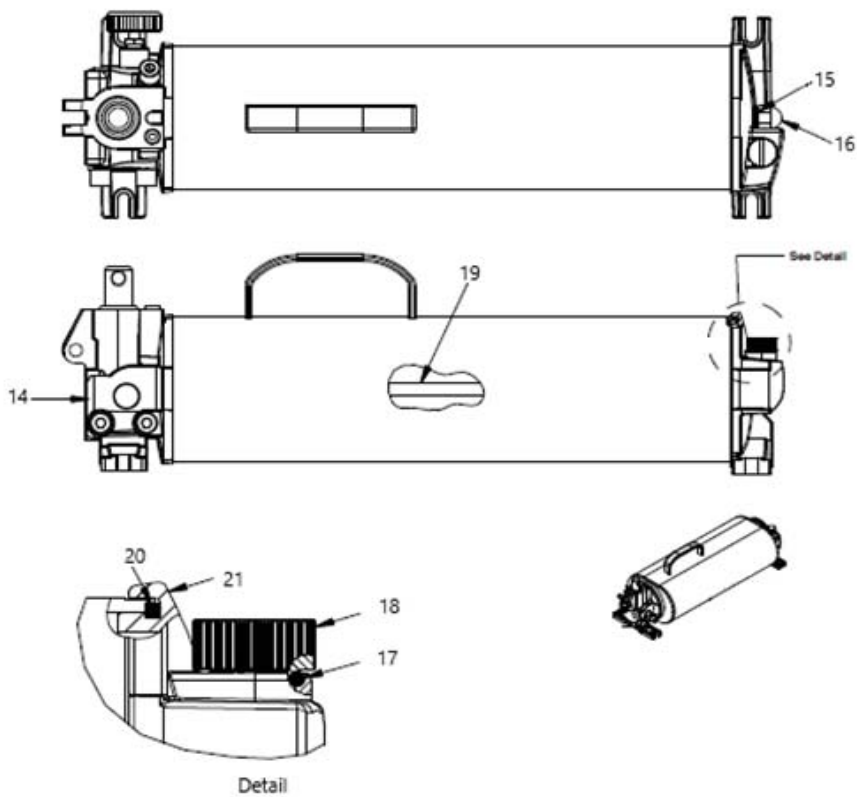
MODEL: PUMP RESERVOIR

Form. #

FIG 2

sales@bia-tools.com www.bia-tools.com

PARTS ILLUSTRATION





B I A
T O O L S

REGULAR SINGLE ACTING

MODEL: PUMP RESERVOIR

Form. #

FIG 2

sales@bia-tools.com www.bia-tools.com

PARTS LIST

ITEM	DESCRIPTION	QTY	HP-464
14	Pump Head	1	BT-HP464-14
15	Cooper Gasket	1	BT-HP464-15
16	Acom Nut	1	BT-HP464-16
17	O-Ring	2	BT-HP464-17
18	Plug, Oil Fill	1	BT-HP464-18
19	Tie Rod	1	BT-HP464-19
20	Square Ring	2	BT-HP464-20
21	End Cap	1	BT-HP464-21



B I A
T O O L S

REGULAR SINGLE ACTING

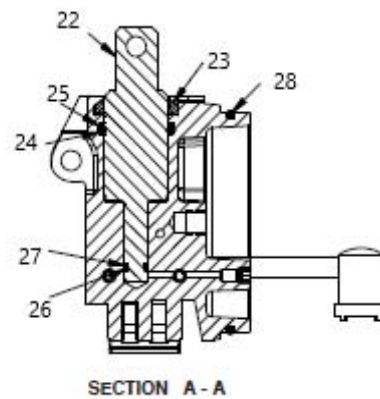
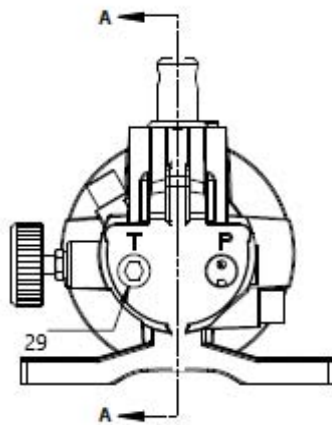
MODEL: PLUNGER ASSEMBLY

Form. #

FIG 3

sales@bia-tools.com www.bia-tools.com

PARTS ILLUSTRATION





B I A
T O O L S

REGULAR SINGLE ACTING

MODEL: PLUNGER ASSEMBLY

Form. #

FIG 3

sales@bia-tools.com www.bia-tools.com

PARTS LIST

ITEM	DESCRIPTION	QTY	HP-464
22	Plunger	1	BT-HP464-22
23	Wiper	1	BT-HP464-23
24	O-Ring	2	BT-HP464-24
25	Back-Up Ring	1	BT-HP464-25
26	O-Ring	2	BT-HP464-26
27	Back-Up Ring	1	BT-HP464-27
28	O-Ring	2	BT-HP464-28
29	Plug, Tank Port	1	BT-HP464-29



B I A
T O O L S

REGULAR SINGLE ACTING

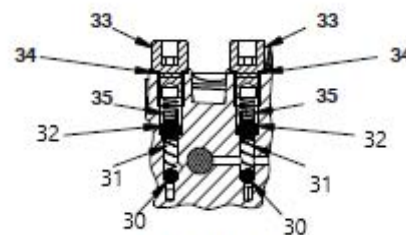
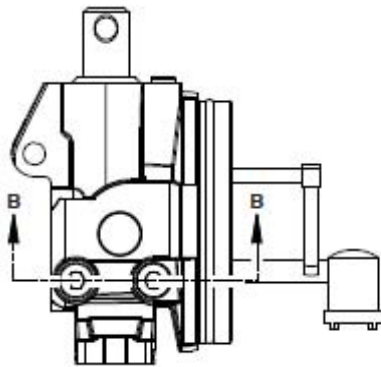
MODEL: CHECK BALL ASSEMBLIES

Form. #

FIG 4

sales@bia-toolsales@bia-tools.com

PARTS ILLUSTRATION



SECTION B - B



B I A
T O O L S

REGULAR SINGLE ACTING

MODEL: CHECK BALL ASSEMBLIES

Form. #

FIG 4

sales@bia-tools.com www.bia-tools.com

PARTS LIST

ITEM	DESCRIPTION	QTY	HP-464
30	Ball	2	BT-HP464-30
31	Spring	2	BT-HP464-31
32	Ball	2	BT-HP464-32
33	Plug	2	BT-HP464-33
34	Gasket	2	BT-HP464-34
35	Spring	2	BT-HP464-35



B I A
T O O L S

REGULAR SINGLE ACTING

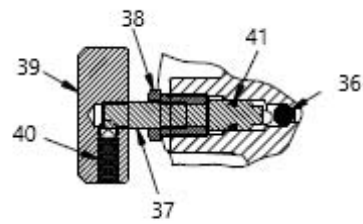
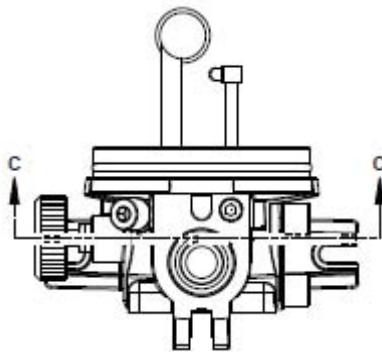
MODEL: RELEASE VALVE ASSEMBLY

Form. #

FIG 5

sales@bia-tools.com www.bia-tools.com

PARTS ILLUSTRATION



SECTION C - C



B I A
T O O L S

REGULAR SINGLE ACTING

MODEL: RELEASE VALVE ASSEMBLY

Form. #

FIG 5

sales@bia-tools.com www.bia-tools.com

PARTS LIST

ITEM	DESCRIPTION	QTY	HP-464
36	Ball	1	BT-HP464-36
37	Spindle	1	BT-HP464-37
38	Cartridge	1	BT-HP464-38
39	Knob, Release Valve	2	BT-HP464-39
40	Set Srew	1	BT-HP464-40
41	O-Ring	2	BT-HP464-41



B I A
T O O L S

REGULAR SINGLE ACTING

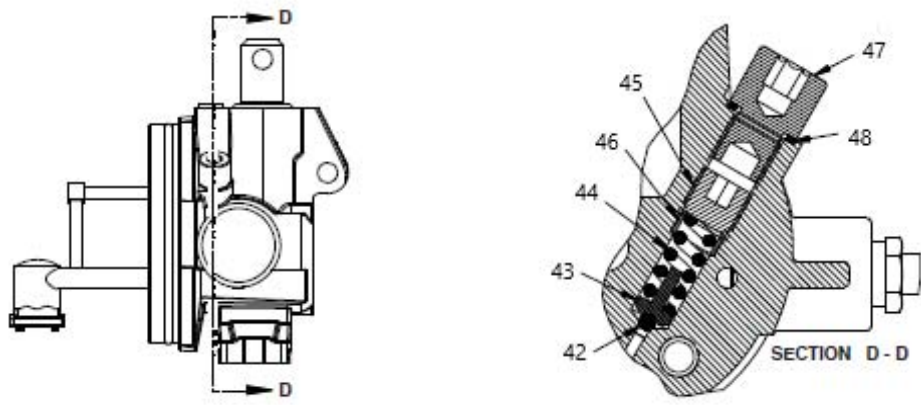
MODEL: RELIEF VALVE ASSEMBLY

Form. #

FIG 6

sales@bia-tools.com www.bia-tools.com

PARTS ILLUSTRATION





B I A
T O O L S

REGULAR SINGLE ACTING

MODEL: RELIEF VALVE ASSEMBLY

Form. #

FIG 6

sales@bia-tools.com www.bia-tools.com

PARTS LIST

ITEM	DESCRIPTION	QTY	HP-464
42	Ball	1	BT-HP464-42
43	Ball Cap	1	BT-HP464-43
44	Spring	1	BT-HP464-44
45	Set Srew	1	BT-HP464-45
46	Spacer	1	BT-HP464-46
47	Plug	1	BT-HP464-47
48	Gasket	1	BT-HP464-48



B I A
T O O L S

REGULAR SINGLE ACTING

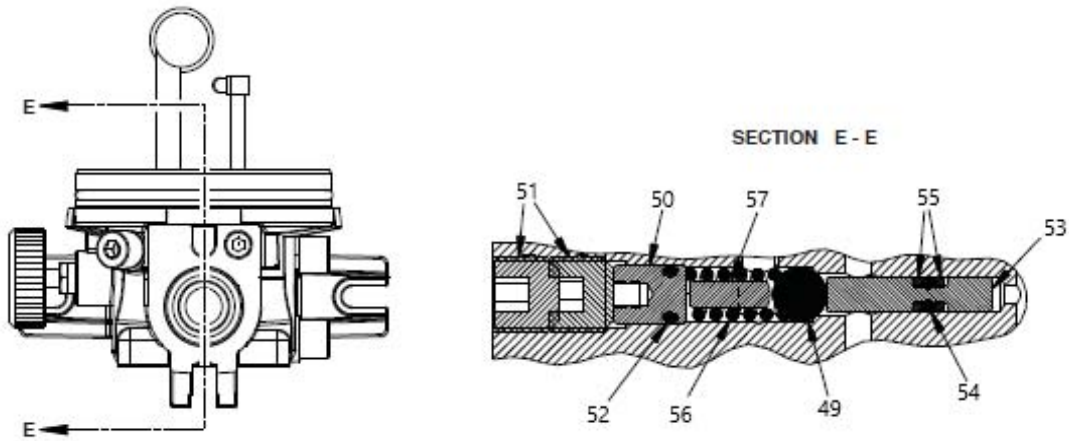
MODEL: BYPASS VALVE ASSEMBLY

Form. #

FIG 7

sales@bia-tools.com www.bia-tools.com

PARTS ILLUSTRATION





B I A
T O O L S

REGULAR SINGLE ACTING

MODEL: BYPASS VALVE ASSEMBLY

Form. #

FIG 7

sales@bia-tools.com www.bia-tools.com

PARTS LIST

ITEM	DESCRIPTION	QTY	HP-464
49	Ball	1	BT-HP464-49
50	Plug	1	BT-HP464-50
51	Set Screw	2	BT-HP464-51
52	O-Ring	2	BT-HP464-52
53	Pin	1	BT-HP464-53
54	O-Ring	2	BT-HP464-54
55	Back Up Ring	2	BT-HP464-55
56	Spring	1	BT-HP464-56
57	Dowel Pin	1	BT-HP464-57



B I A
T O O L S

REGULAR SINGLE ACTING

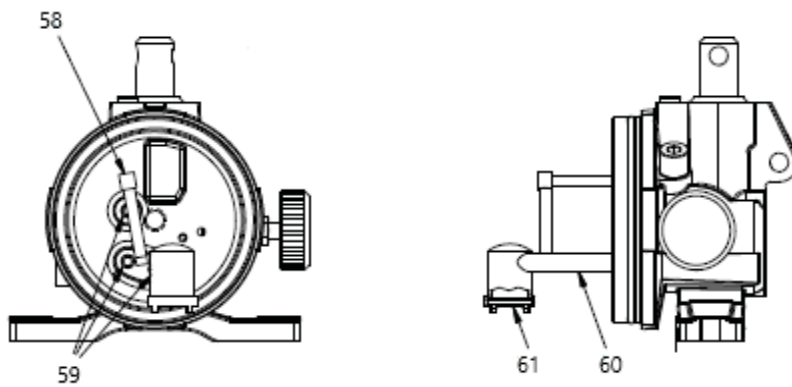
MODEL: OIL PIPING AND FILTER

Form. #

FIG 8

sales@bia-tools.com www.bia-tools.com

PARTS ILLUSTRATION





B I A
T O O L S

REGULAR SINGLE ACTING

MODEL: OIL PIPING AND FILTER

Form. #

FIG 8

sales@bia-tools.com www.bia-tools.com

PARTS LIST

ITEM	DESCRIPTION	QTY	HP-464
58	Fitting, Pick-Up Tube	1	BT-HP464-58
59	Flush Plug	3	BT-HP464-59
60	Oil Filter	1	BT-HP464-60
61	Screen	1	BT-HP464-61