



B I A
T O O L S

REGULAR SINGLE ACTING

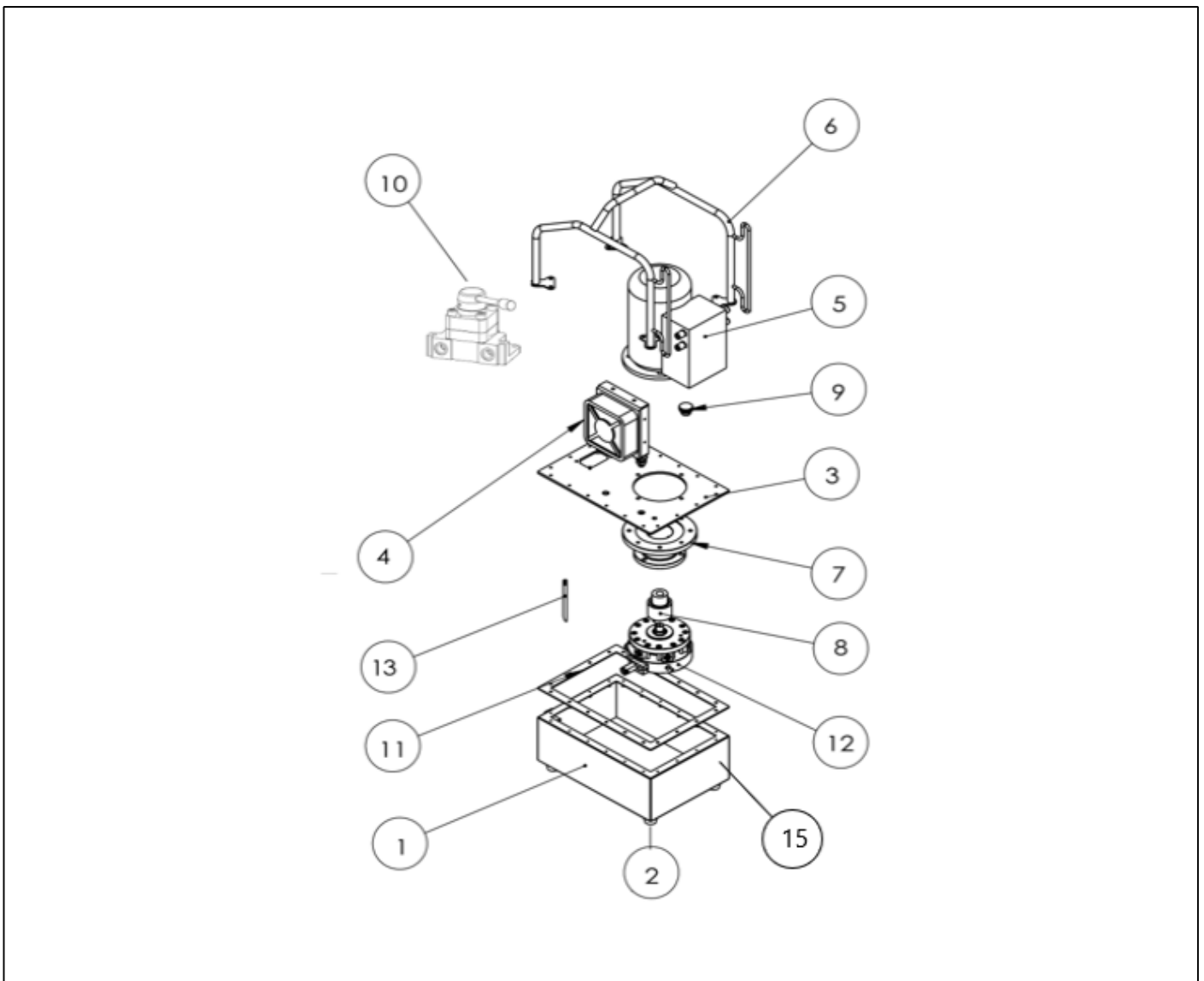
MODEL: EP6-VM33, EP6-VM43, EP6HYB-VM

Form. #

sales@bia-tools.com www.bia-tools.com

Not all components of cylinder are replacement items, but are illustrated as a convenient reference of location and position in the assembly sequence.

PARTS ILLUSTRATION





B I A **T O O L S**

REGULAR SINGLE ACTING

MODEL: EP6-VM33, EP6-VM43, EP6HYB-VM

Form. #

sales@bia-tools.com www.bia-tools.com

PARTS LIST

ITEM	DESCRIPTION	QTY	EP6-VM33	EP6-VM43	EP6HYB-VM
1	Oil Tank	1	BT-EP6-P01	BT-EP6-P01	BT-EP6-P01
2	Oil Tank Caster	4	BT-EP-P02	BT-EP-P02	BT-EP-P02
3	Oil Tank Cover	1	BT-EP-P03	BT-EP-P03	BT-EP-P03
4	Cooling System	1	BT-EP-P04	BT-EP-P04	BT-EP-P04
5	Motor Assembly	1	BT-EP-P05	BT-EP-P05	BT-EP-P05
6	Protection Frame	1	BT-EP-P06	BT-EP-P06	BT-EP-P06
7	Flange Plate	1	BT-EP-P07	BT-EP-P07	BT-EP-P07
8	Coupling	1	BT-EP-P08	BT-EP-P08	BT-EP-P08
9	Oil Filler Plug	1	BT-EP-P09	BT-EP-P09	BT-EP-P09
10	Valve Assembly	1	BT-EP-VM33	BT-EP-VM43	BT-EP-VM43
11	Oil Tank Gasket	1	BT-EP-P11	BT-EP-P11	BT-EP-P11
12	Pump Assembly	1	BT-EP6-P12	BT-EP6-P12	BT-EP6-P12
13	Oil Exhaust Connectors	1	BT-EP6-P13	BT-EP6-P13	BT-EP6-P13
14	Remote Pendant With Wire	-	-	-	-
15	Oil Level Gauge	1	BT-EP-P15	BT-EP-P15	BT-EP-P15



B I A
T O O L S

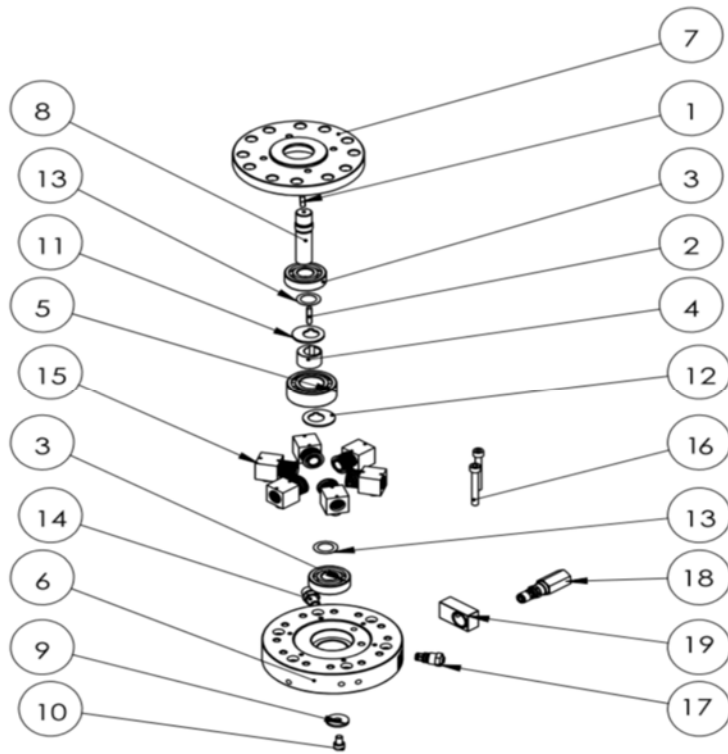
REGULAR SINGLE ACTING

MODEL: EP6-PUMP ASSEMBLY

Form. #

sales@bia-tools.com www.bia-tools.com

PARTS ILLUSTRATION





B I A
T O O L S

REGULAR SINGLE ACTING

MODEL: EP6-PUMP ASSEMBLY

Form. #

sales@bia-tools.com www.bia-tools.com

PARTS LIST

ITEM	DESCRIPTION	QTY	EP6-VM33	EP6-VM43	EP6HYB-VM
1	Bond Pin	1	BT-EP-P12-01	BT-EP-P12-01	BT-EP-P12-01
2	Bond Pin	1	BT-EP-P12-02	BT-EP-P12-02	BT-EP-P12-02
3	Deep Groove Ball Bearing	2	BT-EP-P12-03	BT-EP-P12-03	BT-EP-P12-03
4	Bearing Eccentric Bushing	1	BT-EP-P12-04	BT-EP-P12-04	BT-EP-P12-04
5	Double Row Angular Bearing	1	BT-EP-P12-05	BT-EP-P12-05	BT-EP-P12-05
6	Pump Body	1	BT-EP-P12-06	BT-EP-P12-06	BT-EP-P12-06
7	Press Cover	1	BT-EP-P12-07	BT-EP-P12-07	BT-EP-P12-07
8	Eccentric Shaft	1	BT-EP6-P12-08	BT-EP6-P12-08	BT-EP6-P12-08
9	Washer	1	BT-EP-P12-09	BT-EP-P12-09	BT-EP-P12-09
10	Hex Bolts	1	BT-EP-P12-10	BT-EP-P12-10	BT-EP-P12-10
11	Space Washer-2.7	1	BT-EP-P12-11	BT-EP-P12-11	BT-EP-P12-11
12	Space Washer-2	1	BT-EP-P12-12	BT-EP-P12-12	BT-EP-P12-12
13	Space Washer-1	2	BT-EP-P12-13	BT-EP-P12-13	BT-EP-P12-13
14	Oil Exhaust Port	1	BT-EP6-P12-14	BT-EP6-P12-14	BT-EP6-P12-14
15	Plunger Assembly	6	BT-EP-P12-15	BT-EP-P12-15	BT-EP-P12-15
16	Hex Bolt	2	BT-EP-P12-16	BT-EP-P12-16	BT-EP-P12-16
17	Valve Assembly	1	BT-EP-P12-17	BT-EP-P12-17	BT-EP-P12-17
18	Unloading Overflow Valve	1	BT-EP-P12-18	BT-EP-P12-18	BT-EP-P12-18
19	Unloading Connector	1	BT-EP-P12-19	BT-EP-P12-19	BT-EP-P12-19



B I A
T O O L S

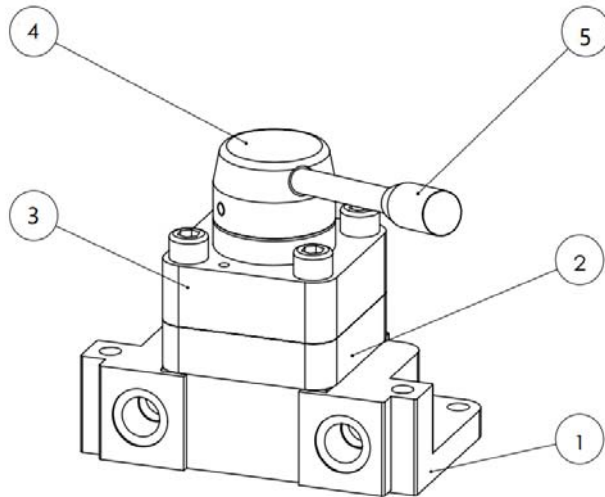
REGULAR SINGLE ACTING

MODEL: EP-VALVE ASSEMBLY

Form. #

sales@bia-tools.com www.bia-tools.com

PARTS ILLUSTRATION





B I A
T O O L S

REGULAR SINGLE ACTING

MODEL: EP-VALVE ASSEMBLY

Form. #

sales@bia-tools.com www.bia-tools.com

PARTS LIST

ITEM	DESCRIPTION	QTY	EP6-VM33	EP6-VM43	EP6HYB-VM
1	Valve Basement	1	BT-EP-VM-01	BT-EP-VM-01	BT-EP-VM-01
2	Middle Valve	1	BT-EP-VM33-02	BT-EP-VM43-02	BT-EP-VM43-02
3	Upper Valve	1	BT-EP-VM-03	BT-EP-VM-03	BT-EP-VM-03
4	Handle Valve	1	BT-EP-VM-04	BT-EP-VM-04	BT-EP-VM-04
5	Handle	1	BT-EP-VM-05	BT-EP-VM-05	BT-EP-VM-05