



B I A
T O O L S

REGULAR SINGLE ACTING

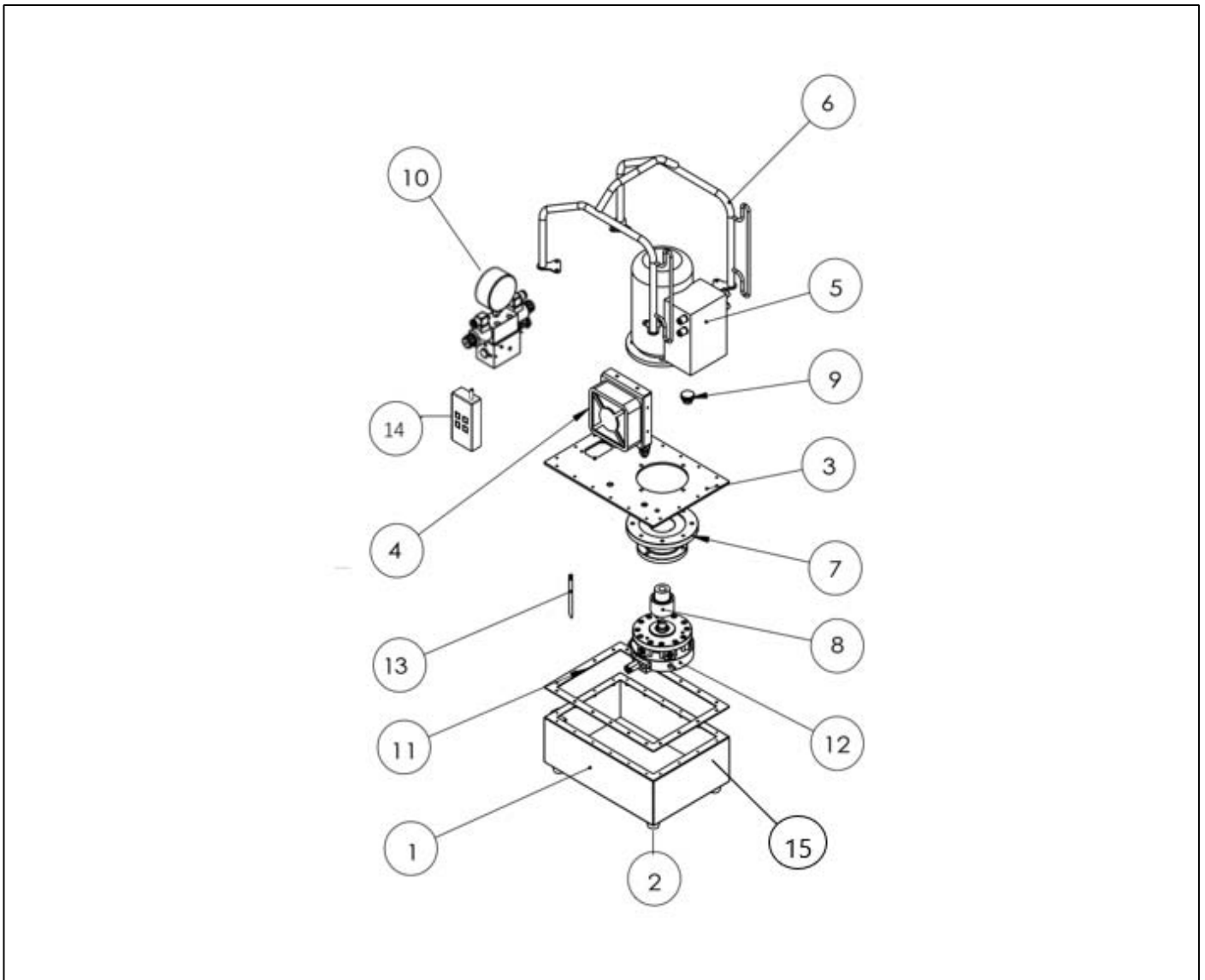
MODEL: EP6-VE33, EP6-VE43, EP6HYB-VE

Form. #

sales@bia-tools.com www.bia-tools.com

Not all components of cylinder are replacement items, but are illustrated as a convenient reference of location and position in the assembly sequence.

PARTS ILLUSTRATION





B I A **T O O L S**

REGULAR SINGLE ACTING

MODEL: EP6-VE33, EP6-VE43, EP6HYB-VE

Form. #

sales@bia-tools.com www.bia-tools.com

PARTS LIST

| ITEM | DESCRIPTION | QTY | EP6-VE33 | EP6-VE43 | EP6HYB-VE |
|------|--------------------------|-----|------------|------------|------------|
| 1 | Oil Tank | 1 | BT-EP6-P01 | BT-EP6-P01 | BT-EP6-P01 |
| 2 | Oil Tank Caster | 4 | BT-EP-P02 | BT-EP-P02 | BT-EP-P02 |
| 3 | Oil Tank Cover | 1 | BT-EP-P03 | BT-EP-P03 | BT-EP-P03 |
| 4 | Cooling System | 1 | BT-EP-P04 | BT-EP-P04 | BT-EP-P04 |
| 5 | Motor Assembly | 1 | BT-EP-P05 | BT-EP-P05 | BT-EP-P05 |
| 6 | Protection Frame | 1 | BT-EP-P06 | BT-EP-P06 | BT-EP-P06 |
| 7 | Flange Plate | 1 | BT-EP-P07 | BT-EP-P07 | BT-EP-P07 |
| 8 | Coupling | 1 | BT-EP-P08 | BT-EP-P08 | BT-EP-P08 |
| 9 | Oil Filler Plug | 1 | BT-EP-P09 | BT-EP-P09 | BT-EP-P09 |
| 10 | Valve Assembly | 1 | BT-EP-VE33 | BT-EP-VE43 | BT-EP-VE43 |
| 11 | Oil Tank Gasket | 1 | BT-EP-P11 | BT-EP-P11 | BT-EP-P11 |
| 12 | Pump Assembly | 1 | BT-EP6-P12 | BT-EP6-P12 | BT-EP6-P12 |
| 13 | Oil Exhaust Connectors | 1 | BT-EP6-P13 | BT-EP6-P13 | BT-EP6-P13 |
| 14 | Remote Pendant With Wire | 1 | BT-EP-P14 | BT-EP-P14 | BT-EP-P14 |
| 15 | Oil Level Gauge | 1 | BT-EP-P15 | BT-EP-P15 | BT-EP-P15 |



B I A
T O O L S

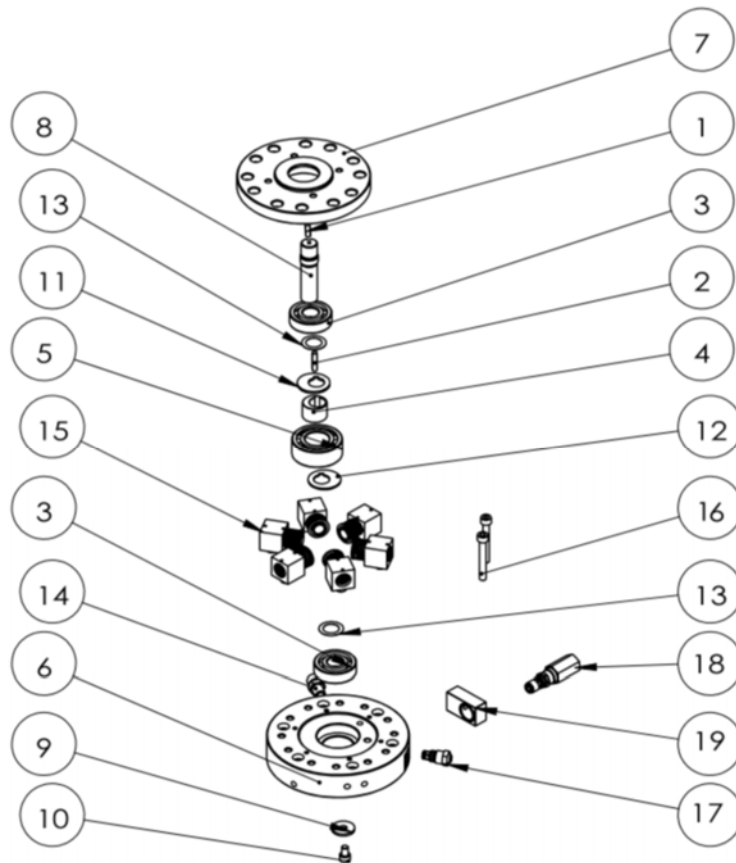
REGULAR SINGLE ACTING

MODEL: EP6-PUMP ASSEMBLY

Form. #

sales@bia-tools.com www.bia-tools.com

PARTS ILLUSTRATION





B I A **T O O L S**

REGULAR SINGLE ACTING

MODEL: EP6-PUMP ASSEMBLY

Form. #

sales@bia-tools.com www.bia-tools.com

PARTS LIST

| ITEM | DESCRIPTION | QTY | EP6-VE33 | EP6-VE43 | EP6HYB-VE |
|------|----------------------------|-----|---------------|---------------|---------------|
| 1 | Bond Pin | 1 | BT-EP-P12-01 | BT-EP-P12-01 | BT-EP-P12-01 |
| 2 | Bond Pin | 1 | BT-EP-P12-02 | BT-EP-P12-02 | BT-EP-P12-02 |
| 3 | Deep Groove Ball Bearing | 2 | BT-EP-P12-03 | BT-EP-P12-03 | BT-EP-P12-03 |
| 4 | Bearing Eccentric Bushing | 1 | BT-EP-P12-04 | BT-EP-P12-04 | BT-EP-P12-04 |
| 5 | Double Row Angular Bearing | 1 | BT-EP-P12-05 | BT-EP-P12-05 | BT-EP-P12-05 |
| 6 | Pump Body | 1 | BT-EP-P12-06 | BT-EP-P12-06 | BT-EP-P12-06 |
| 7 | Press Cover | 1 | BT-EP-P12-07 | BT-EP-P12-07 | BT-EP-P12-07 |
| 8 | Eccentric Shaft | 1 | BT-EP6-P12-08 | BT-EP6-P12-08 | BT-EP6-P12-08 |
| 9 | Washer | 1 | BT-EP-P12-09 | BT-EP-P12-09 | BT-EP-P12-09 |
| 10 | Hex Bolts | 1 | BT-EP-P12-10 | BT-EP-P12-10 | BT-EP-P12-10 |
| 11 | Space Washer-2.7 | 1 | BT-EP-P12-11 | BT-EP-P12-11 | BT-EP-P12-11 |
| 12 | Space Washer-2 | 1 | BT-EP-P12-12 | BT-EP-P12-12 | BT-EP-P12-12 |
| 13 | Space Washer-1 | 2 | BT-EP-P12-13 | BT-EP-P12-13 | BT-EP-P12-13 |
| 14 | Oil Exhaust Port | 1 | BT-EP6-P12-14 | BT-EP6-P12-14 | BT-EP6-P12-14 |
| 15 | Plunger Assembly | 6 | BT-EP-P12-15 | BT-EP-P12-15 | BT-EP-P12-15 |
| 16 | Hex Bolt | 2 | BT-EP-P12-16 | BT-EP-P12-16 | BT-EP-P12-16 |
| 17 | Valve Assembly | 1 | BT-EP-P12-17 | BT-EP-P12-17 | BT-EP-P12-17 |
| 18 | Unloading Overflow Valve | 1 | BT-EP-P12-18 | BT-EP-P12-18 | BT-EP-P12-18 |
| 19 | Unloading Connector | 1 | BT-EP-P12-19 | BT-EP-P12-19 | BT-EP-P12-19 |



B I A
T O O L S

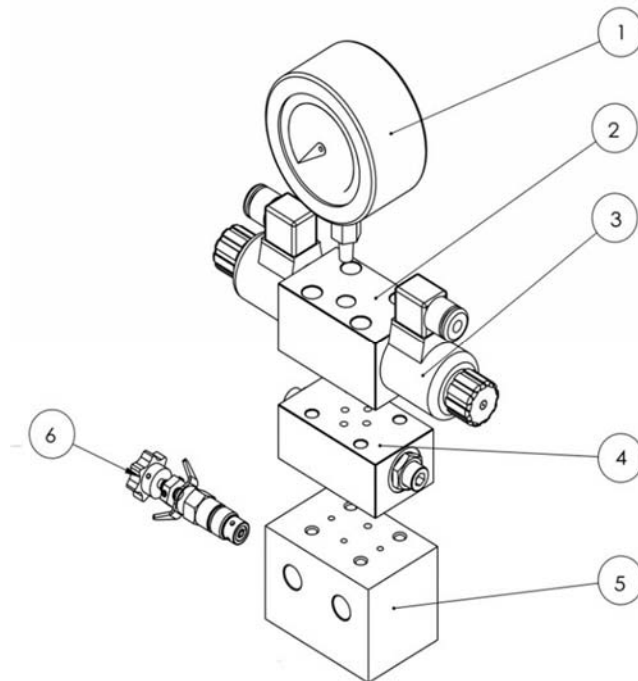
REGULAR SINGLE ACTING

MODEL: EP-VALVE ASSEMBLY

Form. #

sales@bia-tools.com www.bia-tools.com

PARTS ILLUSTRATION





B I A
T O O L S

REGULAR SINGLE ACTING

MODEL: EP-VALVE ASSEMBLY

Form. #

sales@bia-tools.com www.bia-tools.com

PARTS LIST

| ITEM | DESCRIPTION | QTY | EP6-VE33 | EP6-VE43 | EP6HYB-VE |
|------|--------------------------|-----|---------------|---------------|---------------|
| 1 | Pressure Gauge | 1 | PIT-400LFB21 | PIT-400LFB21 | PIT-400LFB21 |
| 2 | Reversing Valve | 1 | BT-EP-VE-02 | BT-EP-VE-02 | BT-EP-VE-02 |
| 3 | Solenoid | 2 | BT-EP-VE-03 | BT-EP-VE-03 | BT-EP-VE-03 |
| 4 | Pressure Holding Valve | 1 | - | BT-EP-VE-04 | BT-EP-VE-04 |
| 5 | Valve Basement | 1 | BT-EP-VE33-05 | BT-EP-VE43-05 | BT-EP-VE43-05 |
| 6 | Pressure Adjusting Valve | 1 | BT-EP-VE-06 | BT-EP-VE-06 | BT-EP-VE-06 |