



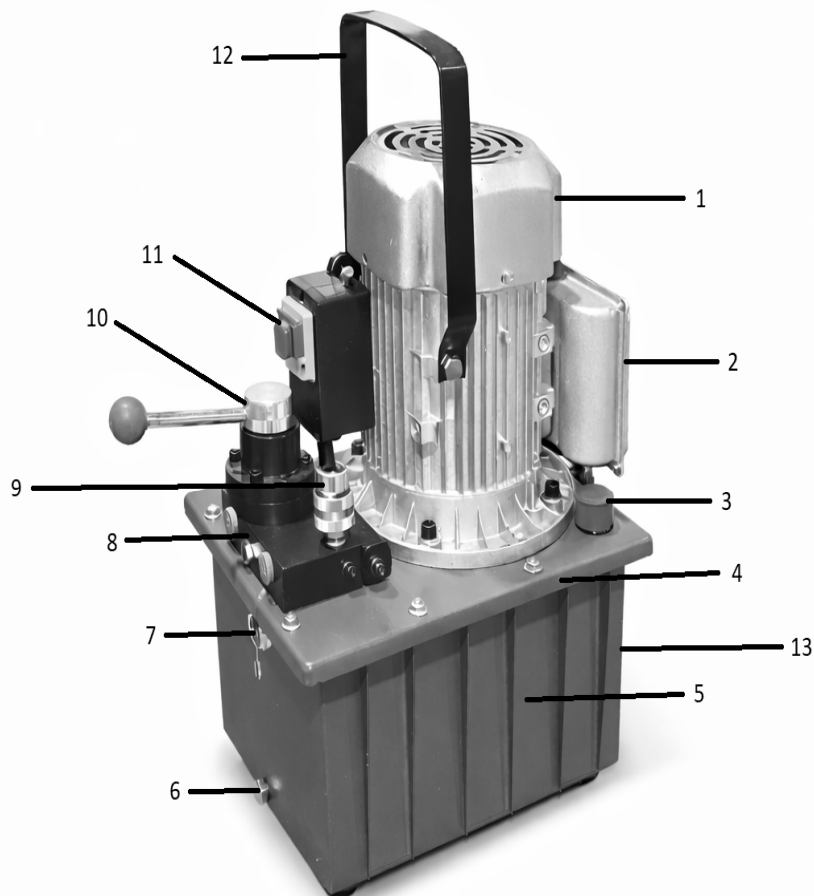
B I A
T O O L S

Economy Electric Pump

MODEL: EEP-VM33, EEP-VM43
sales@bia-tools.com www.bia-tools.com

Not all components of cylinder are replacement items, but are illustrated as a convenient reference of location and position in the assembly sequence.

PARTS ILLUSTRATION





B I A **T O O L S**

Economy Electric Pump

MODEL: EEP-VM33, EEP-VM43

sales@bia-tools.com www.bia-tools.com

PARTS LIST

ITEM	DESCRIPTION	QTY	EEP-VM33	EEP-VM43
1	Motor	1	BT-EEP-01	BT-EEP-01
2	Electric box with components	1	BT-EEP-02	BT-EEP-02
3	Oil filler cap	1	BT-EEP-03	BT-EEP-03
4	Tank cover seal	1	BT-EEP-TSKK	BT-EEP-TSKK
5	Pump body Assembly (not shown)	1	BT-EEP-05	BT-EEP-05
6	Drain Plug	1	BT-EEP-06	BT-EEP-06
7	Oil level sight glass	1	BT-EEP-07	BT-EEP-07
8	Valve basement assembly	1	BT-EEP-VM33VB	BT-EEP-VM43VB
9	Gauge port coupler	1	STU-800201008	STU-800201008
10	Direction valve assembly	1	BT-EEP-10	BT-EEP-10
11	Power Switch	1	BT-EEP-PWSW	BT-EEP-PWSW
12	Carrying handle	1	BT-EEP-12	BT-EEP-12
13	Oil Tank	1	BT-EEP-13	BT-EEP-13