



B I A T O O L S

LOW PROFILE SINGLE ACTING

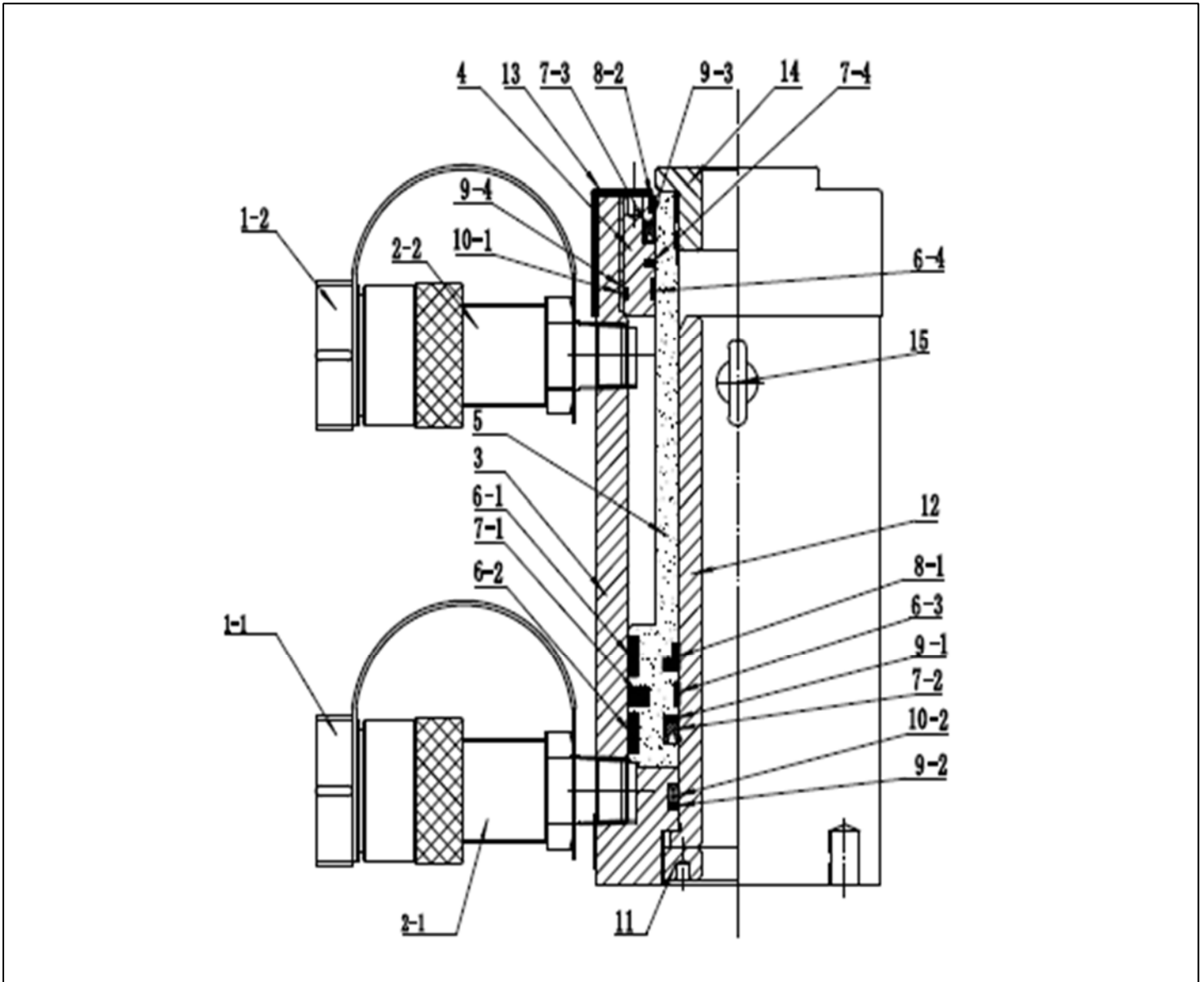
MODEL: DH-307, DH-3010

Form. #

sales@bia-tools.com www.bia-tools.com

Not all components of cylinder are replacement items, but are illustrated as a convenient reference of location and position in the assembly sequence.

PARTS ILLUSTRATION





B I A
T O O L S

LOW PROFILE
SINGLE ACTING

MODEL: DH-307, DH-3010

Form. #

sales@bia-tools.com www.bia-tools.com

PARTS LIST

ITEM	DESCRIPTION	QTY	DH-307	DH-3010
1	Coupler Cover	2	BT-QCC06	BT-QCC06
2	Quick Coupler	2	BT-QCF06	BT-QCF06
3	Cylinder Body	1	BT-DH307-3	BT-DH3010-3
4	Guide Sleeve	1	BT-DH30-4	BT-DH30-4
5	Piston Rod	1	BT-DH307-5	BT-DH3010-5
6	Guide ring	4/5	BT-DH30-6	BT-DH30-6
7	Seal Ring	3	*	*
8	Wiper	2	*	*
9	Telfon Retaining Ring	4	*	*
10	O Ring	2	*	*
11	Bottom Fixing Sleeve	1	BT-DH30-11	BT-DH30-11
12	Guide Pile	1	*	*
13	Thread Protector	1	BT-DH30-13	BT-DH30-13
14	Adapter	1	BT-DH30-14	BT-DH30-14
15	Eyebolt	2	-	-
*	Included in Repair Kit	1	BT-DH30-RK	BT-DH30-RK