



**B I A**  
**T O O L S**

LOW PROFILE  
SINGLE ACTING

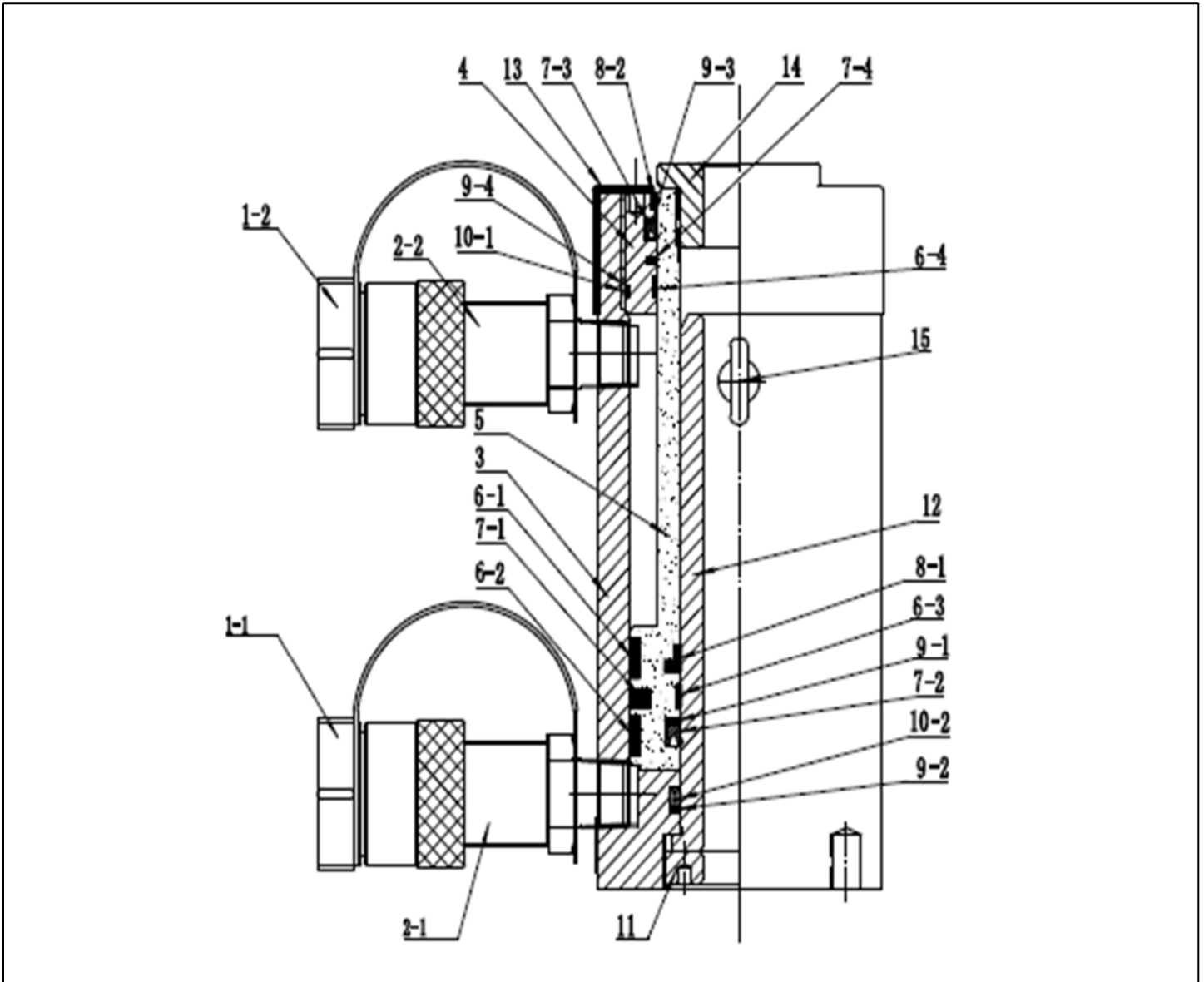
MODEL: DH-1001, DH-1003, DH-1006, DH-10010

Form. #

sales@bia-tools.com www.bia-tools.com

Not all components of cylinder are replacement items, but are illustrated as a convenient reference of location and position in the assembly sequence.

PARTS ILLUSTRATION





**B I A**  
**T O O L S**

LOW PROFILE  
SINGLE ACTING

MODEL: DH-1001, DH-1003, DH-1006, DH-10010

Form. #

sales@bia-tools.com www.bia-tools.com

### PARTS LIST

ITEM	DESCRIPTION	QTY	DH-1001	DH-1003	DH-1006	DH-10010
1	Coupler Cover	2	BT-QCC06	BT-QCC06	BT-QCC06	BT-QCC06
2	Quick Coupler	2	BT-QCF06	BT-QCF06	BT-QCF06	BT-QCF06
3	Cylinder Body	1	BT-DH1001-3	BT-DH1003-3	BT-DH1006-3	BT-DH10010-3
4	Guide Sleeve	1	BT-DH100-4	BT-DH100-4	BT-DH100-4	BT-DH100-4
5	Piston Rod	1	BT-DH1001-5	BT-DH1003-5	BT-DH1006-5	BT-DH10010-5
6	Guide ring	4/5	BT-DH100-6	BT-DH100-6	BT-DH100-6	BT-DH100-6
7	Seal Ring	3	*	*	*	*
8	Wiper	2	*	*	*	*
9	Telfon Retaining Ring	4	*	*	*	*
10	O Ring	2	*	*	*	*
11	Bottom Fixing Sleeve	1	BT-DH100-11	BT-DH100-11	BT-DH100-11	BT-DH100-11
12	Guide Pile	1	*	*	*	*
13	Thread Protector	1	BT-DH100-13	BT-DH100-13	BT-DH100-13	BT-DH100-13
14	Adapter	1	BT-DH100-14	BT-DH100-14	BT-DH100-14	BT-DH100-14
15	Eyebolt	2	BT-DH100-15	BT-DH100-15	BT-DH100-15	BT-DH100-15
*	Included in Repair Kit	1	BT-DH100-RK	BT-DH100-RK	BT-DH100-RK	BT-DH100-RK