



B I A
T O O L S

REGULAR SINGLE ACTING

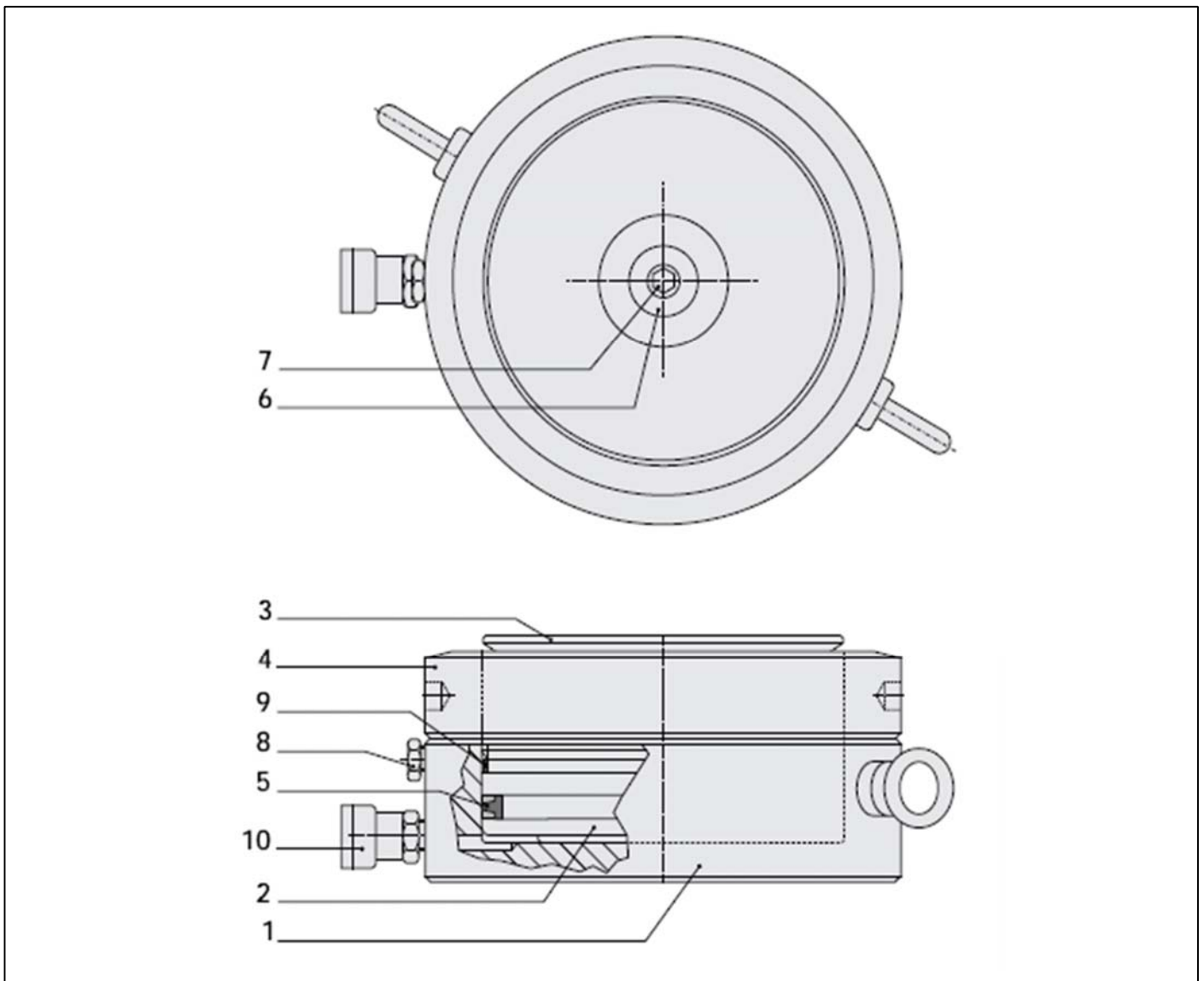
MODEL: CLP-602

Form. #

sales@bia-tools.com www.bia-tools.com

Not all components of cylinder are replacement items, but are illustrated as a convenient reference of location and position in the assembly sequence.

PARTS ILLUSTRATION





B I A
T O O L S

REGULAR SINGLE ACTING

MODEL: CLP-602

Form. #

sales@bia-tools.com www.bia-tools.com

PARTS LIST

| ITEM | DESCRIPTION | QTY | CLP-602 |
|------|----------------|-----|--------------|
| 1 | Base | 1 | BT-CLP602-01 |
| 2 | Plunger | 1 | BT-CLP602-02 |
| 3 | Saddle | 1 | BT-CLP602-03 |
| 4 | Lock Nut | 1 | BT-CLP602-04 |
| 5 | GT-Piston Seal | 1 | * |
| 6 | Washer | 1 | BT-CLP602-06 |
| 7 | HSHC Screw | 1 | BT-CLP602-07 |
| 8 | Plug | 1 | BT-CLP602-08 |
| 9 | Strip | 1 | BT-CLP602-09 |
| 10 | Quick Coupler | 1 | BT-QCF06 |
| 11 | Eyebolt | 2 | BT-CLP602-11 |
| * | Repair Kit | 1 | BT-CLP602-RK |