



B I A
T O O L S

REGULAR SINGLE ACTING

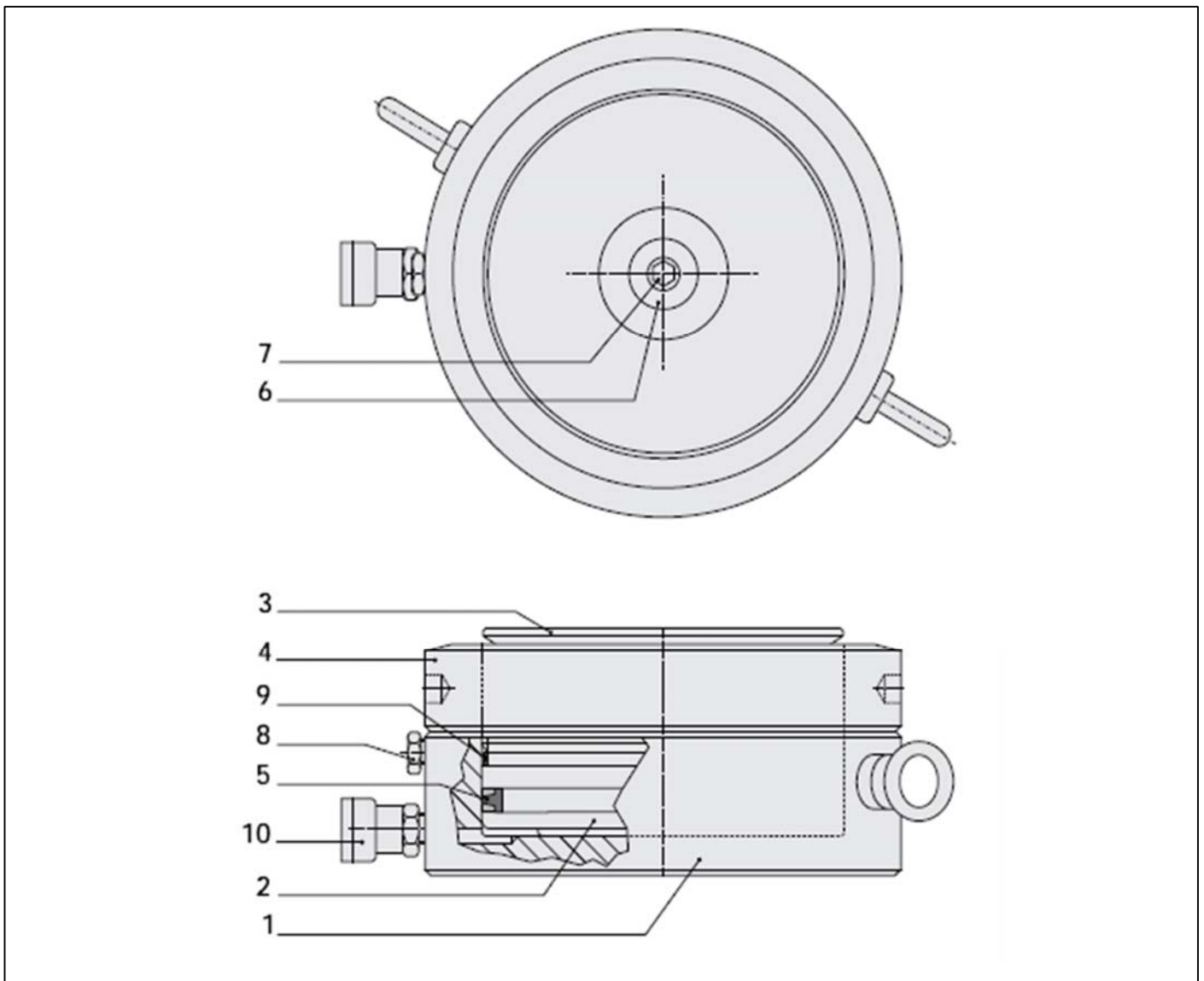
MODEL: CLP-2002

Form. #

sales@bia-tools.com www.bia-tools.com

Not all components of cylinder are replacement items, but are illustrated as a convenient reference of location and position in the assembly sequence.

PARTS ILLUSTRATION





B I A
T O O L S

REGULAR SINGLE ACTING

MODEL: CLP-2002

Form. #

sales@bia-tools.com www.bia-tools.com

PARTS LIST

ITEM	DESCRIPTION	QTY	CLP-2002
1	Base	1	BT-CLP2002-01
2	Plunger	1	BT-CLP2002-02
3	Saddle	1	BT-CLP2002-03
4	Lock Nut	1	BT-CLP2002-04
5	GT-Piston Seal	1	*
6	Washer	1	BT-CLP2002-06
7	HSHC Screw	1	BT-CLP2002-07
8	Plug	1	BT-CLP2002-08
9	Strip	1	BT-CLP2002-09
10	Quick Coupler	1	BT-QCF06
11	Eyebolt	2	BT-CLP2002-11
*	Repair Kit	1	BT-CLP2002-RK