



**B I A**  
**T O O L S**

REGULAR SINGLE ACTING

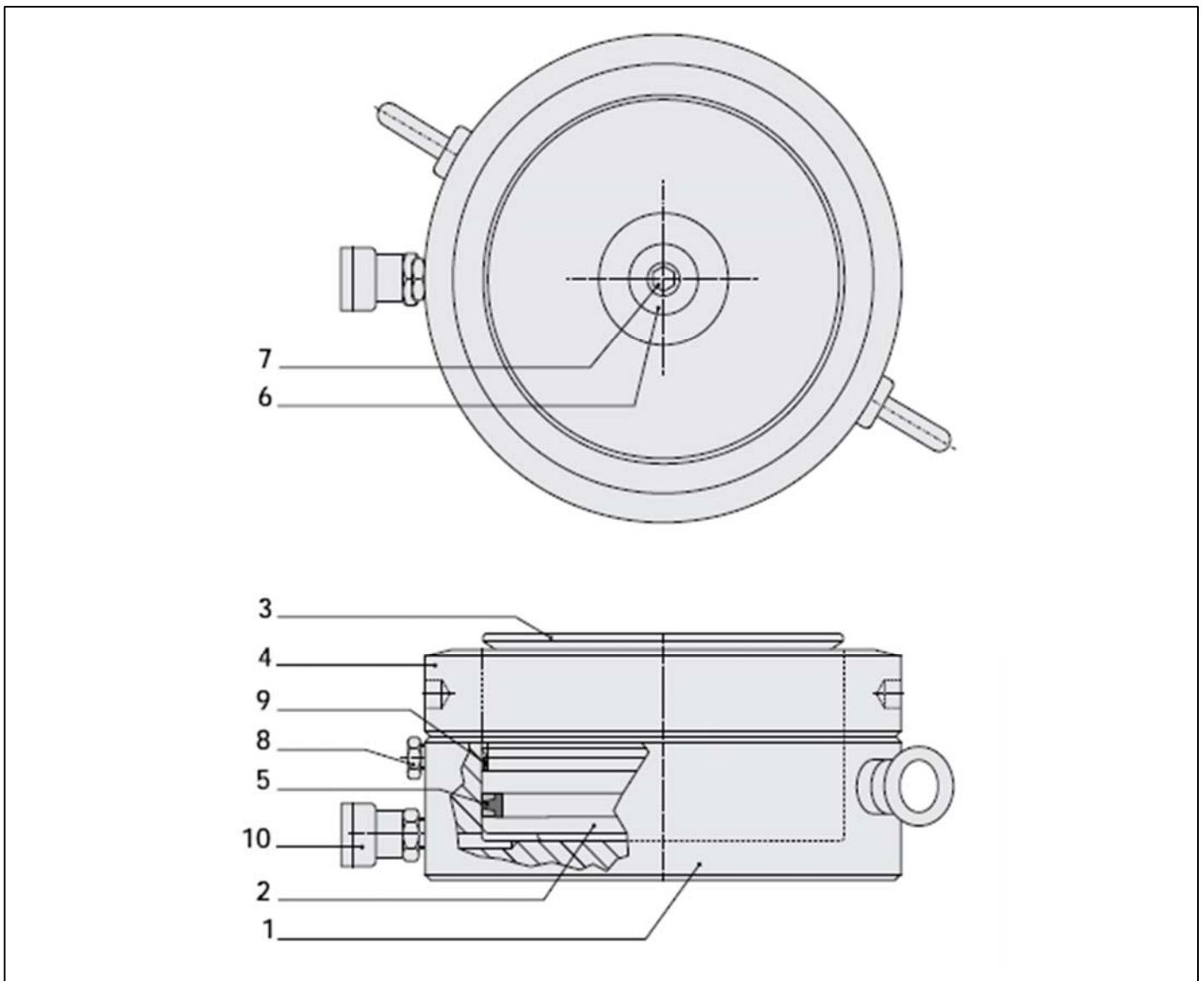
MODEL: CLP-1602

Form. #

[sales@bia-tools.com](mailto:sales@bia-tools.com) [www.bia-tools.com](http://www.bia-tools.com)

Not all components of cylinder are replacement items, but are illustrated as a convenient reference of location and position in the assembly sequence.

### PARTS ILLUSTRATION





**B I A**  
**T O O L S**

REGULAR SINGLE ACTING

MODEL: CLP-1602

Form. #

sales@bia-tools.com www.bia-tools.com

### PARTS LIST

ITEM	DESCRIPTION	QTY	CLP-1602
1	Base	1	BT-CLP1602-01
2	Plunger	1	BT-CLP1602-02
3	Saddle	1	BT-CLP1602-03
4	Lock Nut	1	BT-CLP1602-04
5	GT-Piston Seal	1	*
6	Washer	1	BT-CLP1602-06
7	HSHC Screw	1	BT-CLP1602-07
8	Plug	1	BT-CLP1602-08
9	Strip	1	BT-CLP1602-09
10	Quick Coupler	1	BT-QCF06
11	Eyebolt	2	BT-CLP1602-11
*	Repair Kit	1	BT-CLP1602-RK