



B I A
T O O L S

REGULAR SINGLE ACTING

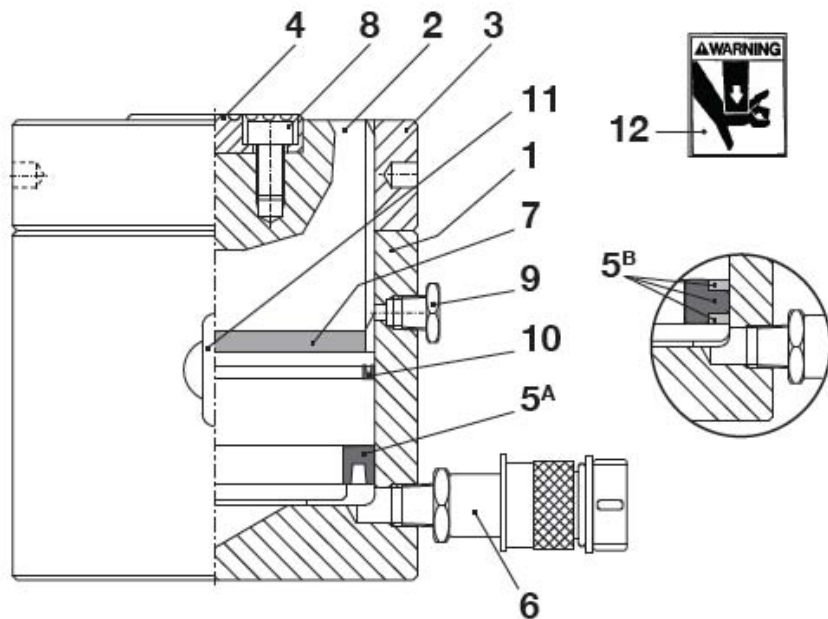
MODEL: CLL-2502, CLL-2506, CLL-25012

Form. #

sales@bia-tools.com www.bia-tools.com

Not all components of cylinder are replacement items, but are illustrated as a convenient reference of location and position in the assembly sequence.

PARTS ILLUSTRATION





B I A
T O O L S

REGULAR SINGLE ACTING

MODEL: CLL-2502, CLL-2506, CLL-25012

Form. #

sales@bia-tools.com www.bia-tools.com

PARTS LIST

ITEM	DESCRIPTION	QTY	CLL-2502	CLL-2506	CLL-25012
1	Base	1	BT-CLL2502-01	BT-CLL2506-01	BT-CLL25012-01
2	Plunger	1	BT-CLL2502-02	BT-CLL2506-02	BT-CLL25012-02
3	Locknut	1	BT-CLL250-03	BT-CLL250-03	BT-CLL250-03
4	Saddle	1	BT-CLL250-04	BT-CLL250-04	BT-CLL250-04
5A	U-Cup	1	*	*	*
5B	GT-Seal	1	-	-	-
6	Female Coupler	1	BT-QCF06	BT-QCF06	BT-QCF06
7	Red Strip	1	*	*	*
8	Screw	1	BT-CLL250-08	BT-CLL250-08	BT-CLL250-08
9	Overflow Plug	1	BT-CLL250-09	BT-CLL250-09	BT-CLL250-09
10	Wiper	1	*	*	*
11	Eyebolt	2	BT-CLL250-11	BT-CLL250-11	BT-CLL250-11
*	Repair Kit	1	BT-CLL250-RK	BT-CLL250-RK	BT-CLL250-RK