



# **B I A** **T O O L S**

## REGULAR SINGLE ACTING

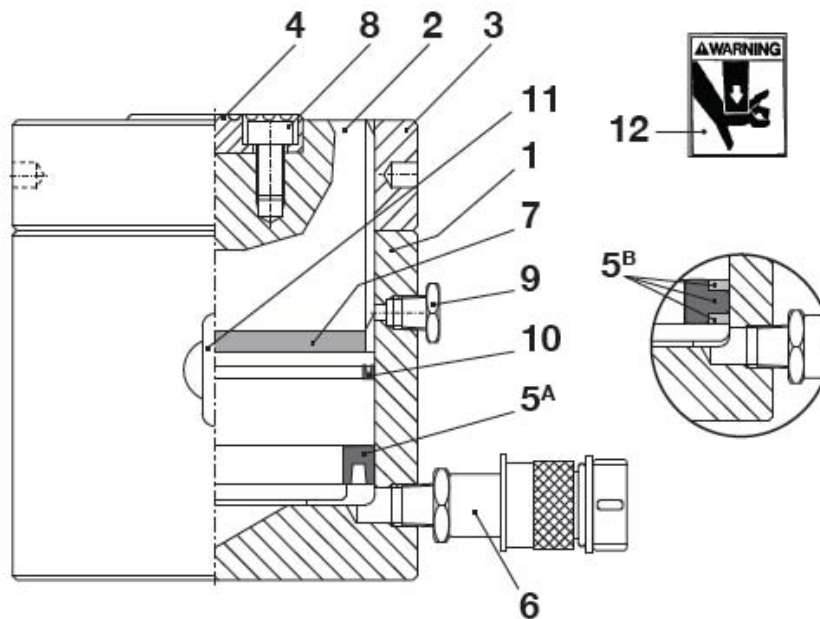
MODEL: CLL-2002, CLL-2006, CLL-20012

Form. #

sales@bia-tools.com www.bia-tools.com

Not all components of cylinder are replacement items, but are illustrated as a convenient reference of location and position in the assembly sequence.

### PARTS ILLUSTRATION





**B I A**  
**T O O L S**

REGULAR SINGLE ACTING

MODEL: CLL-2002, CLL-2006, CLL-20012

Form. #

sales@bia-tools.com www.bia-tools.com

PARTS LIST

ITEM	DESCRIPTION	QTY	CLL-2002	CLL-2006	CLL-20012
1	Base	1	BT-CLL2002-01	BT-CLL2006-01	BT-CLL20012-01
2	Plunger	1	BT-CLL2002-02	BT-CLL2006-02	BT-CLL20012-02
3	Locknut	1	BT-CLL200-03	BT-CLL200-03	BT-CLL200-03
4	Saddle	1	BT-CLL200-04	BT-CLL200-04	BT-CLL200-04
5A	U-Cup	1	*	*	*
5B	GT-Seal	1	-	-	-
6	Female Coupler	1	BT-QCF06	BT-QCF06	BT-QCF06
7	Red Strip	1	*	*	*
8	Screw	1	BT-CLL200-08	BT-CLL200-08	BT-CLL200-08
9	Overflow Plug	1	BT-CLL200-09	BT-CLL200-09	BT-CLL200-09
10	Wiper	1	*	*	*
11	Eyebolt	2	BT-CLL200-11	BT-CLL200-11	BT-CLL200-11
*	Repair Kit	1	BT-CLL200-RK	BT-CLL200-RK	BT-CLL200-RK