



B I A **T O O L S**

REGULAR SINGLE ACTING

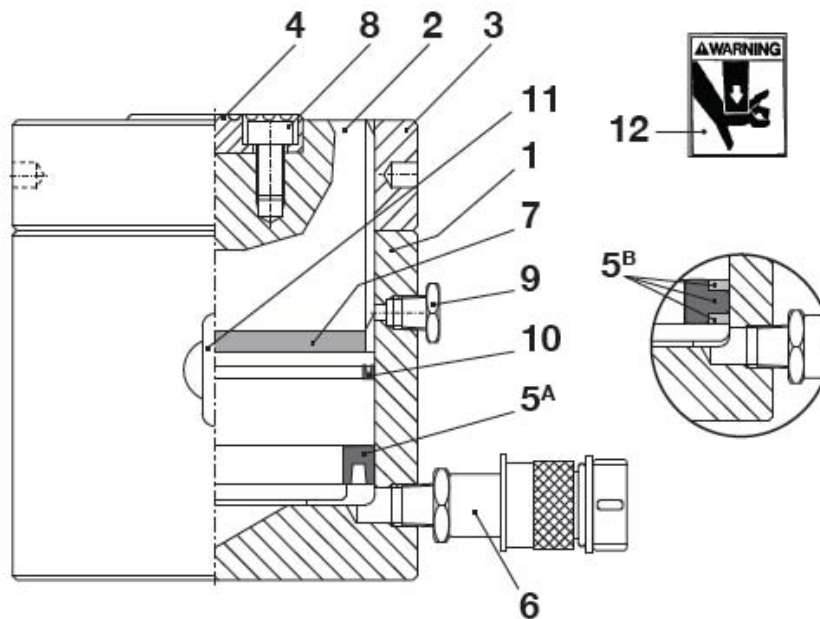
MODEL: CLL-10002, CLL-10006, CLL-100012

Form. #

sales@bia-tools.com www.bia-tools.com

Not all components of cylinder are replacement items, but are illustrated as a convenient reference of location and position in the assembly sequence.

PARTS ILLUSTRATION





B I A
T O O L S

REGULAR SINGLE ACTING

MODEL: CLL-10002, CLL-10006, CLL-100012

Form. #

sales@bia-tools.com www.bia-tools.com

PARTS LIST

ITEM	DESCRIPTION	QTY	CLL-10002	CLL-10006	CLL-100012
1	Base	1	BT-CLL10002-01	BT-CLL10006-01	BT-CLL100012-01
2	Plunger	1	BT-CLL10002-02	BT-CLL10006-02	BT-CLL100012-02
3	Locknut	1	BT-CLL1000-03	BT-CLL1000-03	BT-CLL1000-03
4	Saddle	1	BT-CLL1000-04	BT-CLL1000-04	BT-CLL1000-04
5A	U-Cup	1	-	-	-
5B	GT-Seal	1	*	*	*
6	Female Coupler	1	BT-QCF06	BT-QCF06	BT-QCF06
7	Red Strip	2	*	*	*
8	Screw	1	BT-CLL1000-08	BT-CLL1000-08	BT-CLL1000-08
9	Overflow Plug	1	BT-CLL1000-09	BT-CLL1000-09	BT-CLL1000-09
10	Wiper	1	*	*	*
11	Eyebolt	2	BT-CLL1000-11	BT-CLL1000-11	BT-CLL1000-11
*	Repair Kit	1	BT-CLL1000-RK	BT-CLL1000-RK	BT-CLL1000-RK