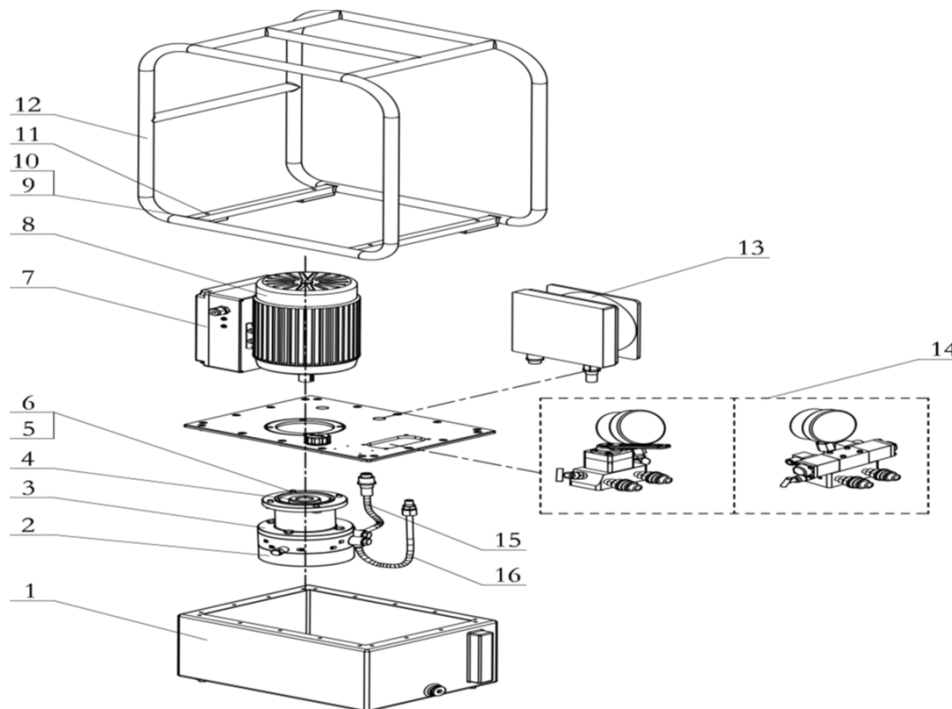


Electric Pump - High pressure pump

Doc. : L1089A Date : 2019/01



Item NO.	Description	Qty	EPC8	EPC10
1	Oil tank subassembly	1	2.016.00037	2.016.00035
2	Pump head (Item #5 and #6 included)	1	2.003.00035	2.003.00016
3	Flange	1	2.001.50079	2.001.02640
4	Deep groove ball bearing	1	1.3.069.00025	1.3.098.00034
5	Spring washer 8	4	-	-
6	Hexagon head bolts	4	-	-
7	Electronic control system subassembly (Manual)	1	2.033.00015	2.033.00015
	Electronic control system subassembly (Solenoid)	1	2.033.00016	2.033.00016
8	Electromotor 110V	1	1.3.008.00018	1.3.008.00018
	Electromotor 220V	1	1.3.008.00015	1.3.008.00015
9	Hexagon socket head cap screws M5x10	8	-	-
10	Rubber feet (Item #9 included)	4	1.3.022.00003	1.3.022.00003
11	Hexagon socket head cap screws M5x10	4	-	-
12	Protective cage (Item #11 included)	1	1.3.131.00011	1.3.131.00010
13	Air cooler subassembly	1	2.037.00006	2.037.00006
14	Manifold Assembly (Manual Valve)	1	2.036.00013	2.036.00013
	Manifold Assembly (Solenoid Valve)	1	2.036.00006	2.036.00006
15	Oil hose-1	1	2.014.00035	2.014.00013
16	Oil hose-2	1	2.014.00036	2.014.00042

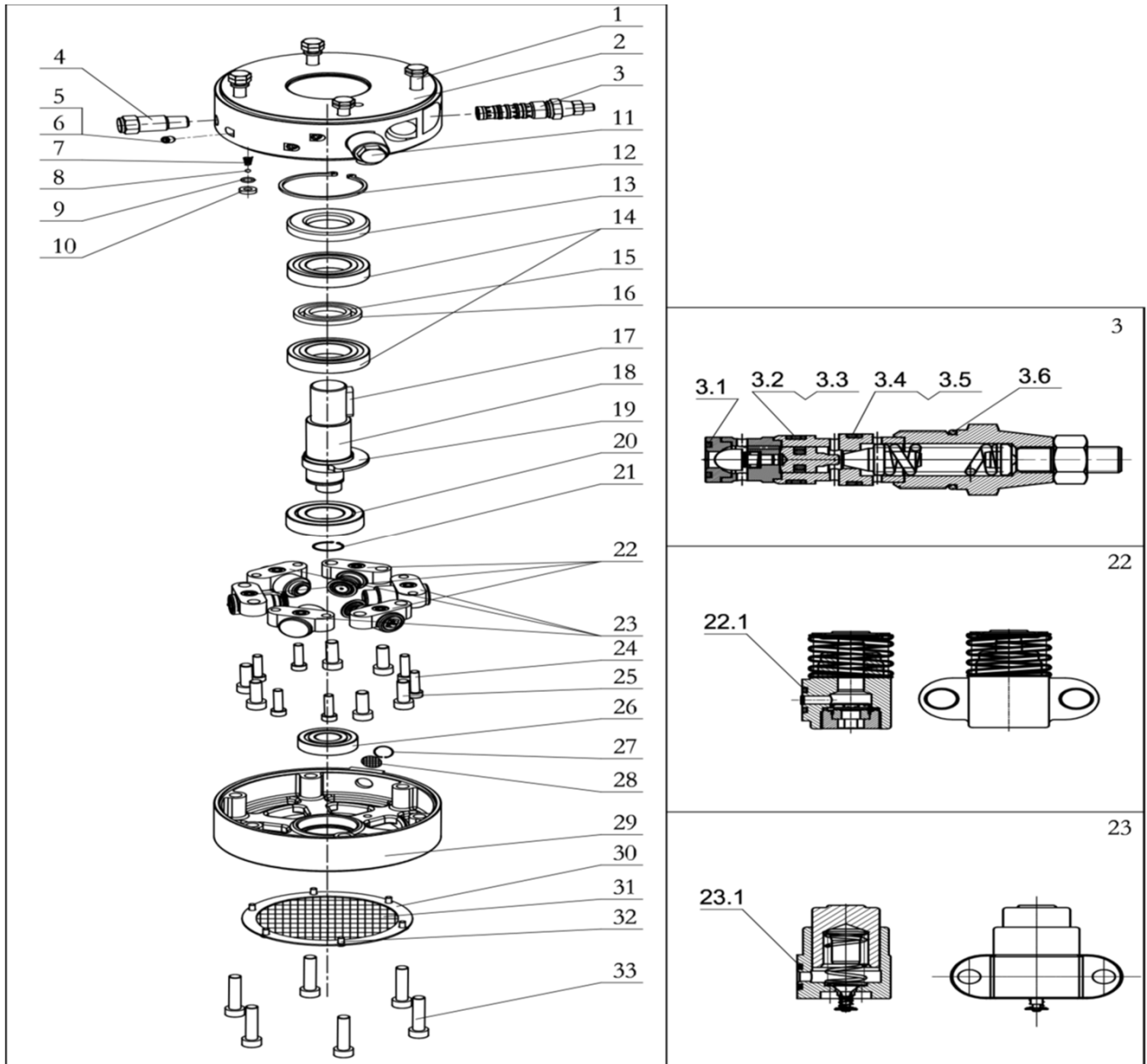


Tighten the safety, lift your business

Repair Parts Sheet

EPC8 & EPC10

Electric Pump - Pump Head Assembly



Item NO.	Pump Head Description	Qty	EPC8	EPC10
1	Hexagon head bolts	4	-	-
2	Base (Item #1 included)	1	2.001.02330	2.001.02330
3	High/low pressure switchover valve	1	2.008.00027	2.008.00027
4	Safety valve	1	2.008.00026	2.008.00026
5	Copper packing	9	*	*
6	Hexagon socket set screws with flat pointM8x1x8	9	*	*
7	Spring	6	*	*
8	Ball 3/16	6	*	*
9	O-ring 7.5x1.8	6	*	*
10	Valve seat	6	*	*
11	Two way connector	1	2.001.01744	2.001.01744
12	Circlip	1	1.3.017.00008	1.3.017.00008
13	TC framework oil seal	1	1.3.098.00173	1.3.098.00173
14	Deep groove ball bearing	2	1.3.069.00025	1.3.069.00025
15	Washer-1	1	2.001.01286	2.001.01286
16	Washer-2	1	2.001.01212	2.001.01212
17	Plain parallel keys A 8x36	1	-	-
18	Crankshaft (Item #17 and #19 included)	1	2.001.01290	2.001.01290
19	Balancing weight	1	-	-
20	Bearing	1	1.3.043.00010	1.3.043.00010
21	Circlip	1	1.3.019.00002	1.3.019.00002
22	High Pressure Plunger pair (with screws)	3	2.019.00036	2.019.00025
23	Low Pressure Plunger pair (with screws)	3	2.019.00035	2.019.00029
24	Hexagon socket head cap screws	6	-	-
25	Hexagon socket head cap screws	6	-	-
26	Deep groove ball bearing	1	1.3.069.00012	1.3.069.00012
27	Circlip	1	-	-
28	Filter screen (Item #27 included)	1	2.001.50076	2.001.50076
29	Bearing block (Item #33 included)	1	2.001.02375	2.001.02375
30	Washer-3	1	-	-
31	Filter screen (Item #30 & #32 included)	1	2.001.02374	2.001.02374
32	Hexagon socket button head screws	6	-	-
33	Hexagon socket head cap screws	6	-	-
*	Base Repair Kit	1	EPC-PH-BRK	EPC-PH-BRK

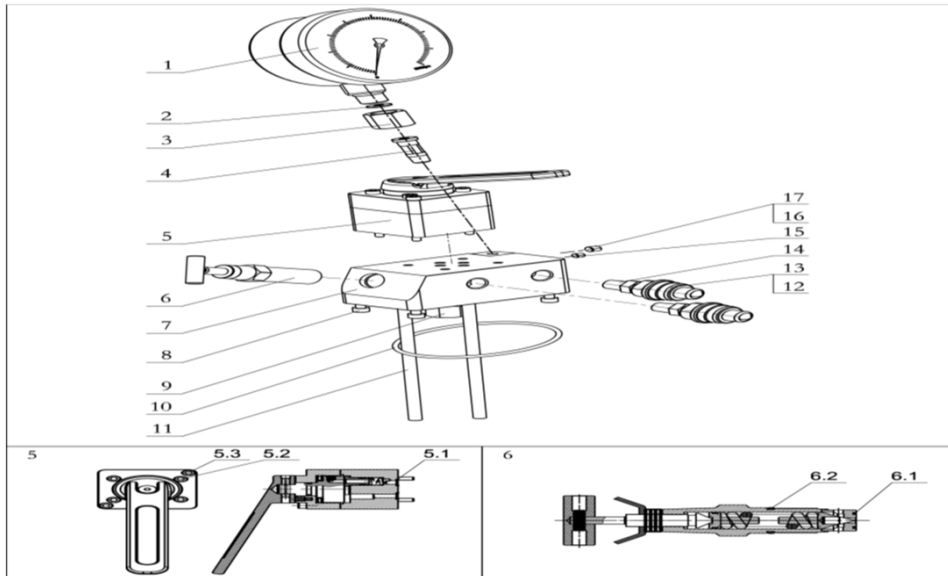


Repair Parts Sheet

Tighten the safety, lift your business

EPC8 & EPC10

Electric Pump - Manual Manifold Assembly



Item NO.	Manifold Assembly Description	Qty	EPC8	EPC10
1	Pressure gauge Assembly (Item #1 to #4)	1	1.3.068.00021	1.3.068.00021
2	Washer	1	-	-
3	Nut	1	-	-
4	Pressure gauge connector	1	-	-
5	Three-position three-way manual valve	1	VM33M	VM33M
	Three-position four-way manual valve	1	VM43M	VM43M
6	Pressure relief valve	1	2.008.00057	2.008.00057
7	Valve block (Item #8 included)	1	2.001.03143	2.001.03143
8	Hexagon socket head cap screws M5x16	4	-	-
9	Two way connector	1	2.001.00829	2.001.00829
10	O-ring	1	*	*
11	Oil hose	2	2.001.00724	2.001.00724
12	Female connector	2	QCS-MA-NPT3/8	QCS-MA-NPT3/8
13	Connector protective jacket for NPT3/8"	2	1.3.097.00002	1.3.097.00002
14	Two way connector (Both ends NPT3/8")	2	-	-
15	Hexagon socket set screws with flat point NPT1/16-27	1	*	*
16	Hexagon socket set screws with flat point M8x1x8	1	*	*
17	Copper packing	1	*	*
*	Valve Base Repair Kit	1	VB-RKValve	VB-RKValve

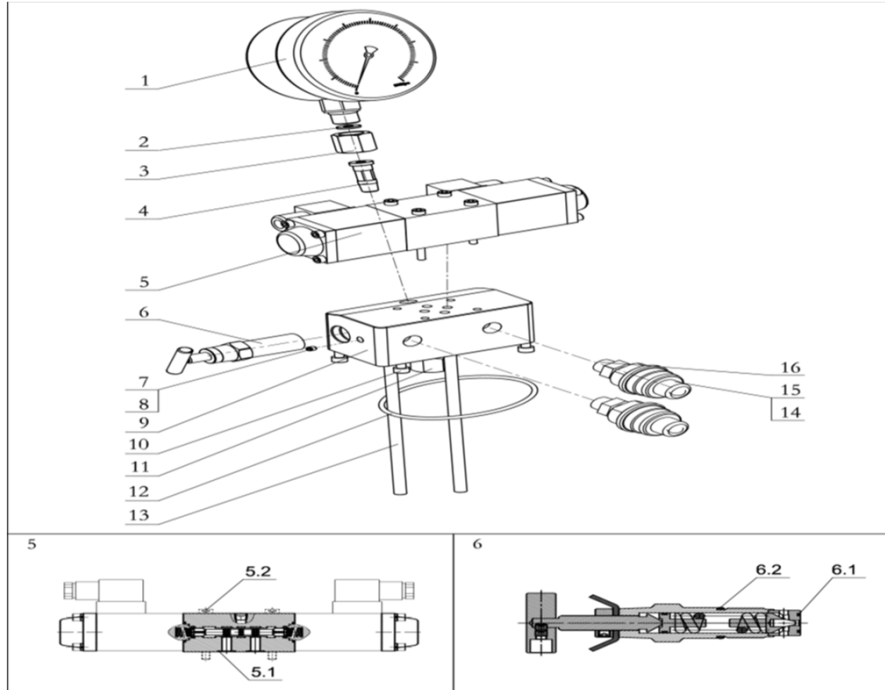


Repair Parts Sheet

Tighten the safety, lift your business

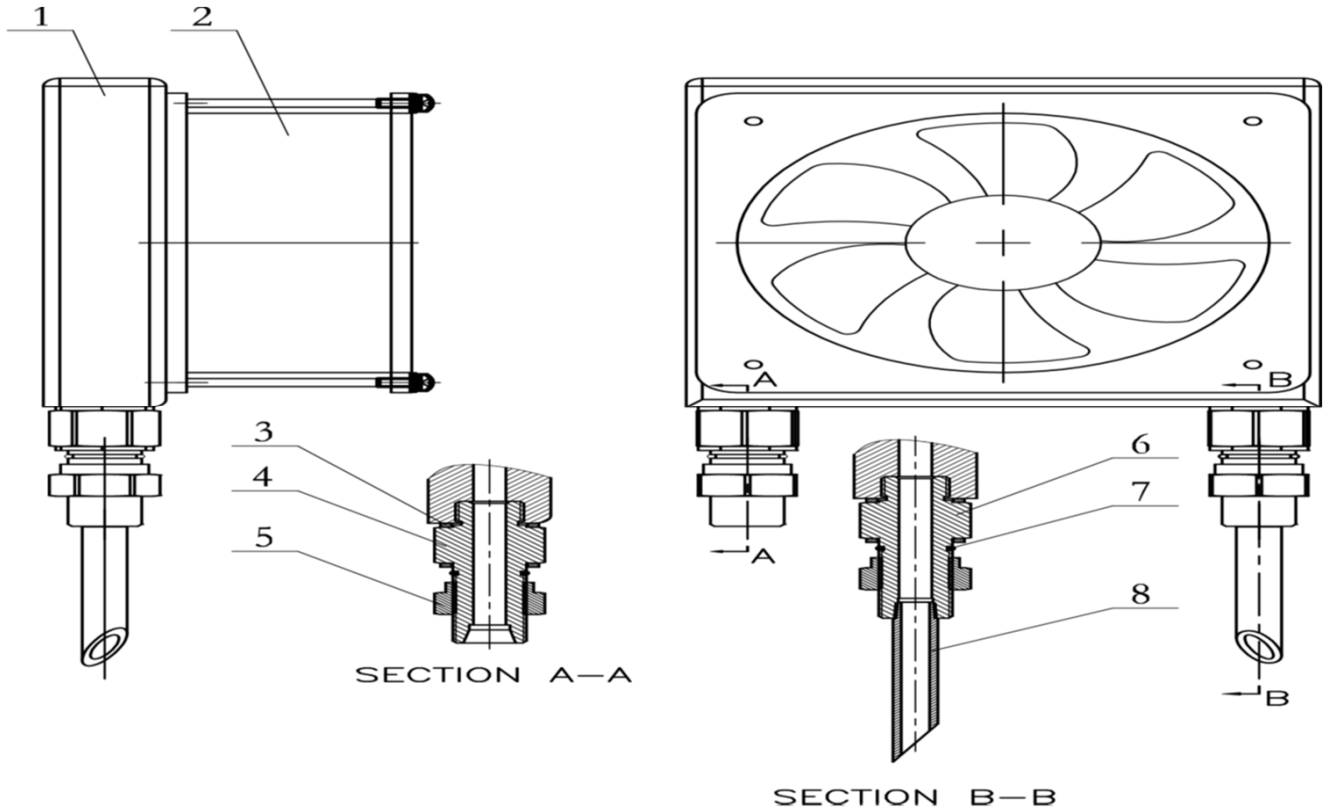
EPC8 & EPC10

Electric Pump - Solenoid Manifold Assembly



Item NO.	Manifold Assembly Description	Qty	EPC8	EPC10
1	Pressure gauge Assembly (Item #1 to #4)	1	1.3.068.00021	1.3.068.00021
2	Washer	1	-	-
3	Nut	1	-	-
4	Pressure gauge connector	1	-	-
5	Three-position three-way magnetic valve	1	VE33M	VE33M
	Three-position four-way magnetic valve	1	VE43M	VE43M
6	Pressure relief valve	1	2.008.00057	2.008.00057
7	Hexagon socket set screws with flat point	1	*	*
8	Copper packing	1	*	*
9	Valve block (Item #10 included)	1	2.001.03143	2.001.03143
10	Hexagon socket head cap screws M5x16	4	-	-
11	Two way connector	1	2.001.00829	2.001.00829
12	O-ring	1	*	*
13	Oil hose	2	2.001.00724	2.001.00724
14	Female connector	2	QCS-MA-NPT3/8	QCS-MA-NPT3/8
15	Connector protective jacket for NPT3/8"	2	-	-
16	Two way connector (Both ends NPT3/8")	2	-	-
*	Valve Base Repair Kit	1	VB-RKValve	VB-RKValve

Electric Pump - Cooler Assembly



Item NO.	Air Cooler Subassembly Description	Qty	EPC8	EPC10
1	Air Cooler	1	1.3.098.00018	1.3.098.00018
2	Fan(110V/50HZ/60HZ)	1	1.3.098.00027	1.3.098.00027
3	Combined Sealing gasket 18	4	-	-
4	Straight Fitting-2 (Item #3 & #5 included)	1	2.001.01706	2.001.01706
5	Lock nut	2	-	-
6	Straight Fitting-1 (Item #6 to #8)	1	2.001.01718	2.001.01718
7	O-ring 15x1.83	2	-	-
8	Oil line-2	1	-	-

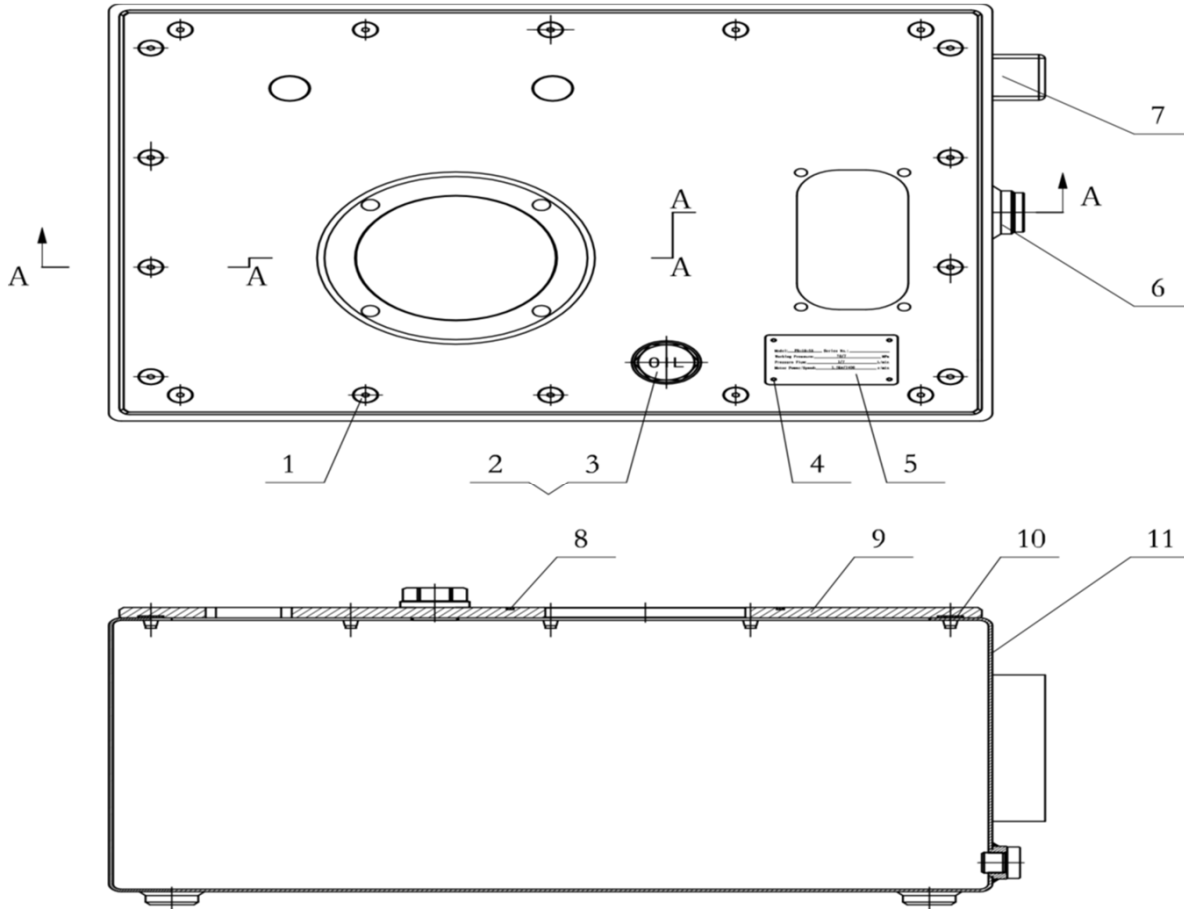


Tighten the safety, lift your business

Repair Parts Sheet

EPC8 & EPC10

Electric Pump - Oil Tank Assembly



SECTION A-A

Item NO.	Oil Tank subassembly Description	Qty	EPC8	EPC10
1	Hexagon flange bolts	18	*	*
2	Oil filler plug (Item #3 included)	1	2.001.02342	2.001.02342
3	Rubber washer	1	-	-
6	Plug screw	1	1.3.066.00015	1.3.066.00012
7	Sight glass	1	1.3.098.00323	1.3.098.00249
8	O-ring	1	*	*
9	Oil tank cover	1	2.001.02519	2.001.02343
10	Sealing strip	1	*	*
11	Oil tank body 2.5 Gal.	1	1.3.107.00017	-
11	Oil tank body 5.0 Gal.	1	-	1.3.107.00019
*	Oil tank Repair Kit	1	EPC8-OT-RK	EPC10-OT-RK