

MAC

Metal Roofing & Siding

PRODUCT CATALOG

WWW.MACMETALSALES.COM

TABLE OF CONTENTS

<u>ITEM</u>	<u>PAGE</u>
RECEIVING & HANDLING MATERIALS _____	2 – 4
STORAGE _____	5
CUTTING & TOUCH UP _____	6
SCREW GUIDE _____	7
MAC-RIB 29GA. PANEL TECHNICAL SPECIFICATIONS _____	8
MAC-RIB 29GA. TRIM _____	9 – 11
TRIM APPLICATIONS _____	12 – 13
HI-RIB 26GA. PANEL TECHNICAL SPECIFICATIONS _____	14
HI-RIB 26GA. TRIM _____	15 – 16
HI-RIB GUTTERS & ACCESSORIES _____	17
MAC-LOC 26GA. PANEL TECHNICAL SPECIFICATIONS _____	18
MAC-LOC 26GA. TRIM _____	19 – 20
CORRUGATED & 5-V PANEL TECHNICAL SPECIFICATIONS _____	21
SCREWS & FASTENERS _____	22
INSULATION & ACCESSORIES _____	23
SKYLIGHT _____	24
CUPOLAS & WEATHERVANES _____	24
ACCESSORIES _____	25
CLOSURES _____	26
SLIDING DOOR TRACK & ACCESSORIES _____	27 – 28
SLIDING DOOR FRAMES & ACCESSORIES _____	29
DOORS & LOCKSETS _____	30
TOOLS _____	31
ANGLE CALCULATOR _____	32
SPECIAL TRIM _____	33
BUILDING PACKAGES _____	34
ORDER FORM _____	35
NOTES _____	36 – 37

PANEL PRICING & INFORMATION

36" COVERAGE PANELS

- ALL 36" COVERAGE PANELS ARE BASED ON 38" SHEET WIDTHS
- COVERAGE WIDTH +/- 1/4" TOLERANCE
- LENGTH +/- 1/4" TOLERANCE
- PANELS CUT AND BILLED IN 1" INCREMENTS
- A CUT FEE WILL BE APPLIED TO ANY LENGTHS BELOW 3'0"

15.5" COVERAGE PANELS

- ALL 15½" COVERAGE PANELS ARE BASED ON 16" SHEET WIDTHS
- COVERAGE WIDTH & LENGTH +/- 1/4" TOLERANCE
- MINIMUM LENGTH - 3'0" - MAXIMUM LENGTH - 40'0"
- PANELS CUT AND BILLED IN 1" INCREMENTS

PACKAGING

- | | |
|---|-----------------------|
| - BANDING AND PAPER WRAP | NO CHARGE |
| - COVERSHEET | \$1.00 FT. |
| - TOP AND BOTTOM COVERSHEET | \$2.00 FT. |
| - CRATING FOR MAC-LOC | SUBJECT TO ORDER SIZE |
| - PAPER WRAP FOR MAC-LOC | NO CHARGE |
| - STOCK TRIM METAL COVER SHEETS (25 QTY.) | NO CHARGE |

JOB-SITE DELIVERY

- | | |
|---------------------|--|
| - JOB-SITE DELIVERY | ALL DELIVERY FEES WILL BE BASED ON THE LOADED MILEAGE OF THE DELIVERY. |
| - PARCEL CHARGE | (I.E. – UPS, FEDEX) IS BASED ON PARCEL CARRIER RATES PLUS A HANDLING CHARGE. |
- NOTE:** CUSTOMERS REQUESTING JOB-SITE DELIVERIES MUST HAVE A MECHANICAL LIFT TO OFF-LOAD MATERIALS. THE JOB-SITE LOCATION MUST BE ACCESSIBLE FOR TRACTOR TRAILER ACCESS AND WEIGHTS UP TO 80,000 POUNDS. MAC METAL SALES, INC RESERVES THE RIGHT TO REFUSE DELIVERIES WHERE UNSAFE OR IMPASSIBLE CONDITIONS ARE PRESENT.



WWW.MACMETALSALES.COM

MATERIAL HANDLING

RECEIVING MATERIAL

IT IS THE RESPONSIBILITY OF THE DISTRIBUTOR OR THE INSTALLER TO UNLOAD MATERIALS FROM THE DELIVERY TRUCK. THE DISTRIBUTOR OR INSTALLER IS RESPONSIBLE FOR PROVIDING SUITABLE EQUIPMENT FOR UNLOADING MATERIALS FROM DELIVERY TRUCK. THE DISTRIBUTOR OR INSTALLER IS ALSO RESPONSIBLE FOR CHECKING TO ENSURE **ALL MATERIALS** ARE UNLOADED BEFORE THE DELIVERY TRUCK LEAVES.

WE STRIVE FOR ERROR FREE DELIVERIES AND SERVICE ON EACH AND EVERY ORDER. WE ALSO UNDERSTAND THAT MISTAKES WILL HAPPEN. PLEASE CONTACT US IMMEDIATELY UPON RECEIPT OF MATERIALS IF THERE IS A MISTAKE, DAMAGE, OR PROBLEM OF ANY KIND. ALL CLAIMS OF DAMAGE, SHIPPING ERRORS, INCORRECT LENGTHS, OR ANY OTHER MISTAKES WITH YOUR ORDER **MUST** BE BROUGHT TO OUR ATTENTION WITHIN **THIRTY (30)** DAYS OF THE DATE ON THE ORIGINAL INVOICE.

GENERAL HANDLING

CAREFUL CONSIDERATION SHOULD BE TAKEN WHEN HANDLING BUNDLES TO AVOID DAMAGE. SPECIAL CARE SHOULD BE TAKEN TO PREVENT BENDING OF THE PANELS AND ABRASIONS TO THE FINISH. WHENEVER POSSIBLE, THE BUNDLE SHOULD REMAIN IN ITS ORIGINAL PACKAGING UNTIL IT IS LOCATED IN ITS PLACE OF STORAGE. IF BUNDLES MUST BE OPENED, WE RECOMMEND REPACKAGING BEFORE RELOCATING.



CAUTION

IMPROPER LOADING AND UNLOADING OF BUNDLES AND MATERIALS MAY RESULT IN BODILY INJURY AND/OR MATERIAL DAMAGE. MAC METAL SALES, INC IS NOT RESPONSIBLE FOR ANY BODILY INJURIES AND/OR MATERIAL DAMAGES RESULTING FROM IMPROPER LOADING AND UNLOADING.

MECHANICAL HANDLING

USING FORKS

THE FORKS OF A LIFT MAY BE USED FOR PANELS UP TO 20' LONG. THE FORKS SHOULD BE AT THEIR MAXIMUM SEPARATION. FOR YOUR CONVENIENCE & SAFETY, OUR BUNDLES COME PRE-MARKED AT THE CENTER. USE THE RED ARROW AS A GUIDE TO LIFT AND TRANSPORT THE BUNDLE. DO NOT TRANSPORT UN-BANDED BUNDLES.



USING SLINGS

SLINGS SHOULD BE USED WHEN LIFTING PANELS 20'-0" OR GREATER. LOAD SHOULD BE LIFTED AT ITS CENTER OF GRAVITY. WE HAVE TAKEN THE GUESSWORK OUT OF LOCATING THE CENTER OF THE BUNDLE BY PRE-MARKING IT WITH A RED ARROW. NO MORE THAN 1/3 OF THE LENGTH OF A BUNDLE SHOULD BE UNSUPPORTED. USING TWO LIFTS IS A GOOD WAY TO KEEP THIS DISTANCE. DO NOT TRANSPORT UN-BANDED BUNDLES.

MAC

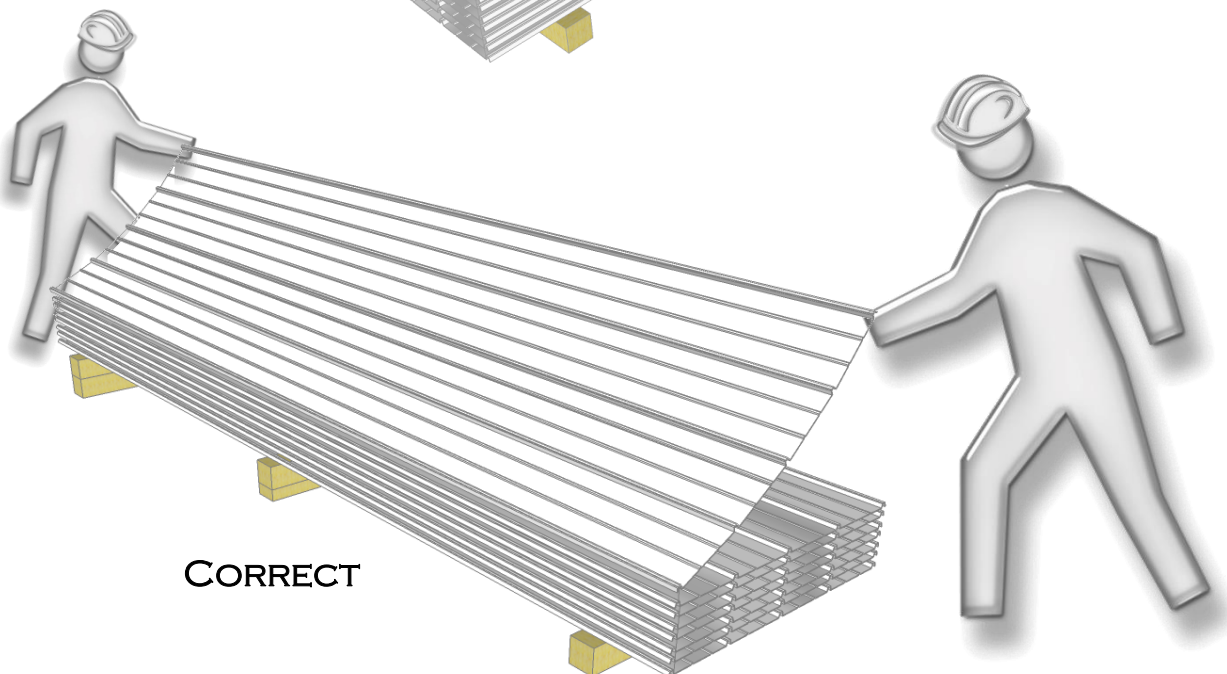
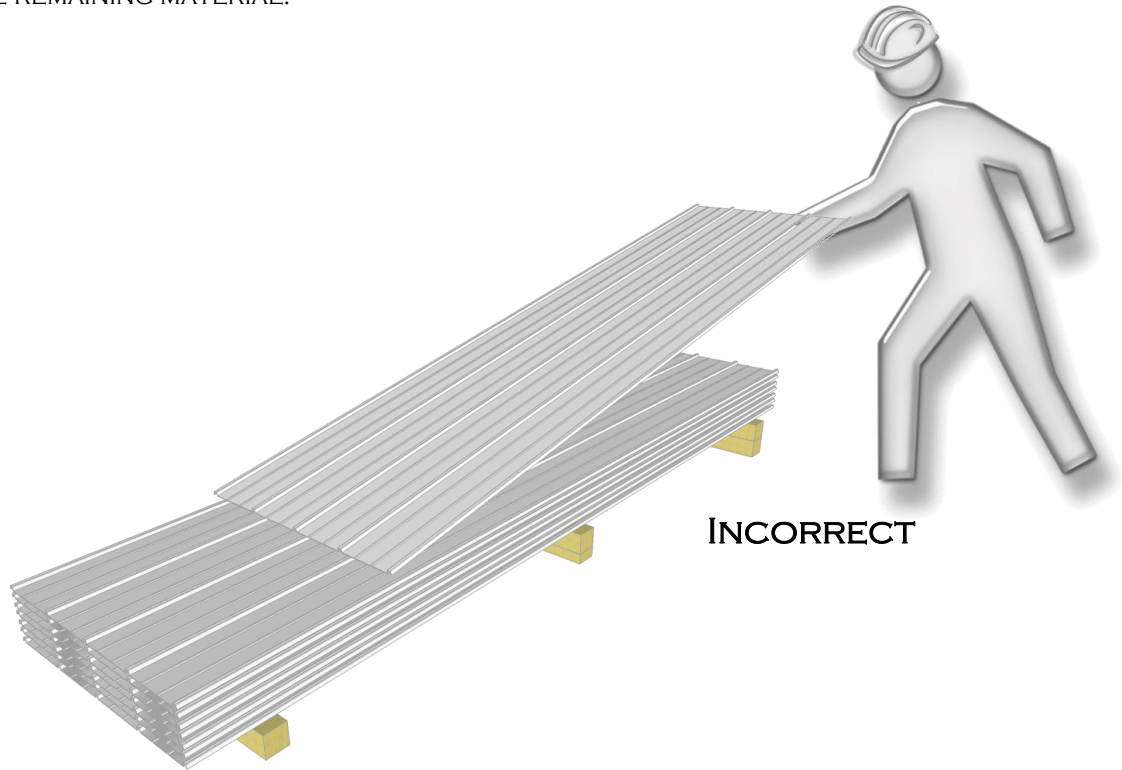
WWW.MACMETALSALES.COM

MATERIAL HANDLING

MANUAL HANDLING

PANELS SHOULD BE LIFTED FROM THE BUNDLE BY AT LEAST TWO PEOPLE, ONE ON EACH END UP TO 10'-0" IN LENGTH. ADDITIONAL HELP SHOULD BE CONSIDERED EVERY 10'-0" FOR LONGER PANELS.

LIFT PANELS BY GRIPPING THE EDGE AND RAISING ONE SIDE UNTIL IT IS OFF THE BUNDLE AND SLOWLY PIVOT THE OTHER SIDE UNTIL IT IS ALSO AWAY FROM THE BUNDLE. THIS PREVENTS THE CORNERS OF THE PANEL FROM SCRATCHING THE REMAINING MATERIAL.



MAC

WWW.MACMETALSALES.COM

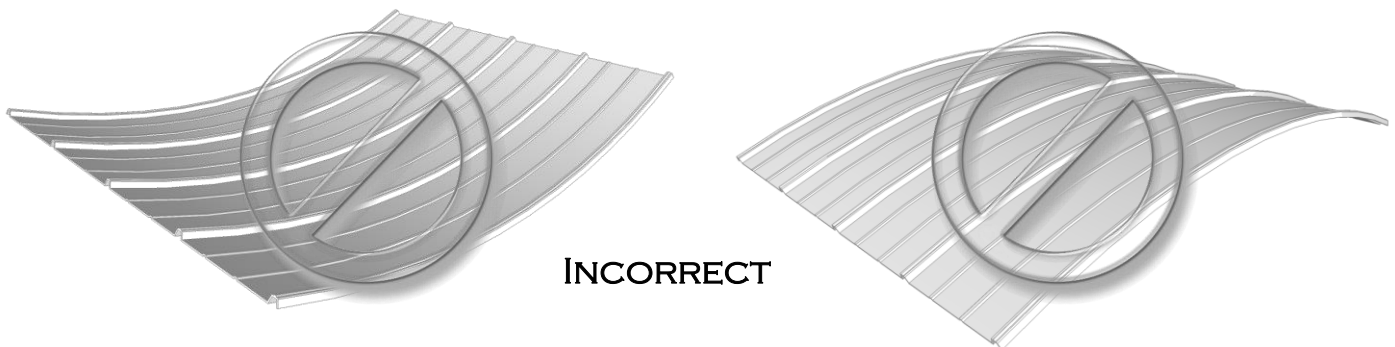
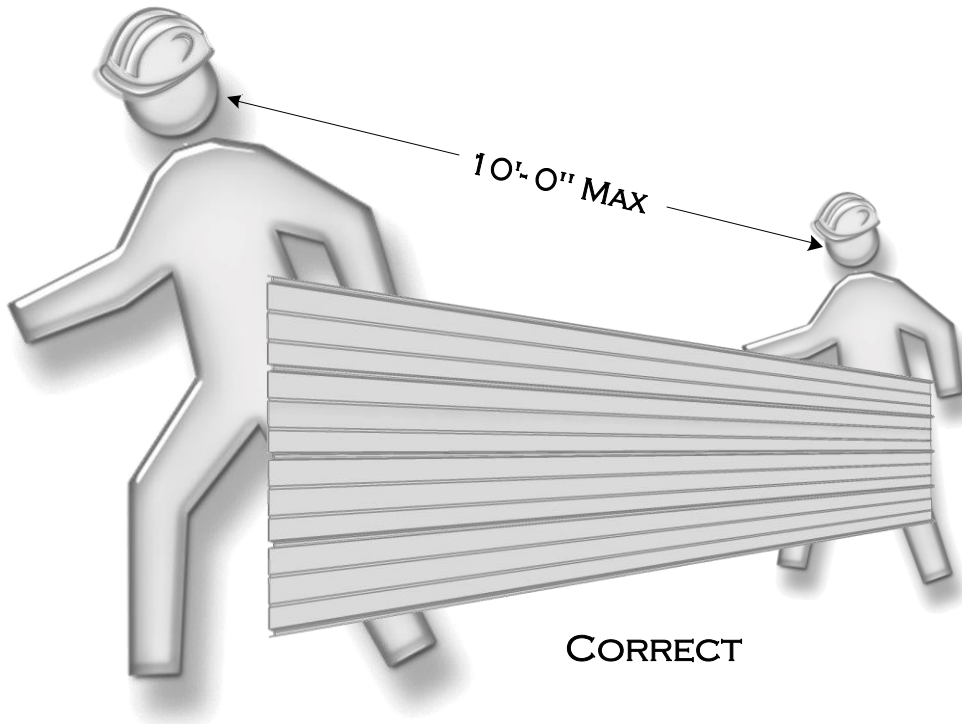
MATERIAL HANDLING

MANUAL HANDLING

SPECIAL CARE SHOULD BE TAKEN WHEN HANDLING PAINTED STEEL TO PREVENT SCRATCHING. CLEAN GLOVES ARE RECOMMENDED TO PREVENT REACTIONS WITH SALTS FOUND ON SKIN AND TO REDUCE INJURIES. INSTALLERS SHOULD WEAR RUBBER SOLED SHOES TO KEEP FROM SCUFFING MATERIAL WHILE WALKING ON A ROOF.

PANELS SHOULD BE CARRIED BY GRIPPING THE EDGE OF THE PANEL SO THAT IT IS VERTICAL TO THE GROUND. THE PANEL SHOULD NOT BE CARRIED HORIZONTAL TO THE GROUND AS THIS CAUSES THE PANEL TO BEND OR BUCKLE AT THE CENTER.

ORDINARY PANELS CAN BE HANDLED BY SOMEONE PLACED EVERY 8'-0" - 10'-0" ALONG THE LENGTH OF THE PANEL. LONGER LENGTHS MAY REQUIRE ADDITIONAL PERSONNEL.



MAC

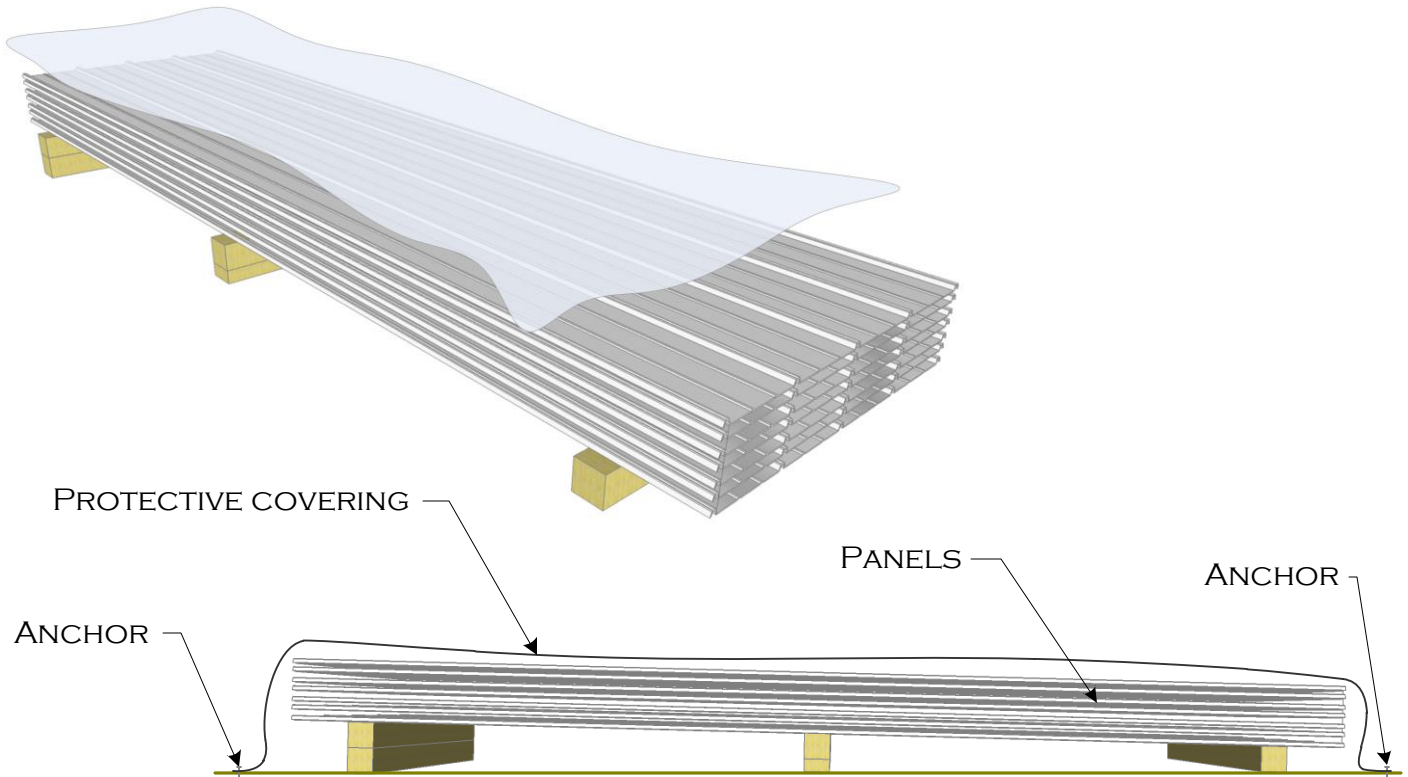
WWW.MACMETALSALES.COM

STORAGE

GENERAL

BUNDLES SHOULD BE STORED ABOVE THE GROUND, HIGH ENOUGH TO ALLOW FOR AIR CIRCULATION AND WATER DRAINAGE. ONE END OF THE STACK SHOULD BE ELEVATED TO ALLOW MOISTURE TO RUN OFF THE PANELS. IT SHOULD ALSO BE COVERED LOOSELY WITH A PROTECTIVE TARP. DO NOT USE TIGHT FITTING PLASTIC WRAP AS THIS COULD TRAP MOISTURE AND PREVENT IT FROM EVAPORATING. PANELS SHOULD BE STORED INDOORS DURING INCLEMENT WEATHER. PROLONGED STORAGE OF PANELS IS NOT RECOMMENDED AS IT COULD CAUSE EXTENSIVE CORROSION IN A SMALL AMOUNT OF TIME.

NOTE: MAC METAL SALES, INC. DOES NOT WARRANTY PANELS WITH DEGRADATION CAUSED BY: MOISTURE ENTRAPMENT IN BUNDLES DURING TRANSIT OR STORAGE; A CHEMICALLY AGGRESSIVE ENVIRONMENT CONTAINING FUMES, ASH, CEMENT DUST, CARBON BLACK, SALTS, OR OTHER CHEMICALS, WHETHER NATURALLY OCCURRING OR CAUSED BY MAN; ANY ENVIRONMENT DESCRIBED ABOVE OR STATED IN OUR WARRANTY.



ELEVATE END OF BUNDLE



**DO NOT LEAVE IN BAD WEATHER
CONDITIONS**



**DO NOT LEAVE PANELS OR
ACCESSORIES UNATTENDED**



**AVOID FOOT TRAFFIC ON
PANELS AND TRIM**

MAC

WWW.MACMETALSALES.COM

CUTTING & TOUCH-UP

FIELD CUTTING

METAL CUTTING SHEARS ARE RECOMMENDED FOR FIELD CUTTING PANELS AND TRIM. ELECTRIC OR MANUAL SHEARS CAN BE USED. CUTTING THE METAL GENERATES SHAVINGS WHICH SHOULD BE IMMEDIATELY REMOVED FROM THE PANEL. THESE PARTICLES WILL DAMAGE THE FINISH AND CAUSE SURFACE RUST.

THE BEST WAY TO REMOVE METAL FRAGMENTS IS BY USING AN AIR GUN TO BLOW THEM OFF OR BY FLIPPING THE PANEL OVER AND AGITATING IT BEFORE INSTALLATION.

PANELS CAN BE TURNED OVER WHEN CUTTING TO ALLOW THE SHAVINGS TO BE BRUSHED FROM THE BACK SIDE AND AVOID DAMAGE TO THE FINISHED SIDE.

GLOVES AND GOGGLES SHOULD ALWAYS BE WORN FOR PROTECTION WHILE CUTTING METAL PANELS AND TRIM.



CAUTION:

ALL PRODUCT SURFACES SHOULD BE DEBRIS FREE AT ALL TIMES. INSTALLED SURFACES SHOULD BE CLEANED AT THE END OF EACH WORK INTERVAL. NEVER CUT PANELS OVER METAL SURFACES. METAL SHAVINGS WILL RUST ON THE SURFACE, VOIDING ANY WARRANTIES.

TOUCH - UP PAINT

ALL PAINTED MATERIALS HAVE A FACTORY APPLIED BAKED - ON FINISH. SMALL SCRATCHES OR NICKS MAY OCCUR ON THE SURFACE DURING HANDLING AND INSTALLING. TOUCH - UP PAINT IS AVAILABLE IN MATCHING COLORS. A SMALL BRUSH SHOULD BE USED ON AREAS THAT NEED REPAIR.



AEROSOL PAINT SHOULD NOT BE USED FOR TOUCH - UP APPLICATIONS BECAUSE OF THE OVERSPRAY THAT MAY OCCUR. AEROSOL PAINT SHOULD ONLY BE APPLIED TO OTHER MATERIALS THAT NEED TO BE COLOR MATCHED (I.E. – ROOF JACKS, VENTS, ETC.) AFTER BEING CLEANED AND PREPARED ACCORDINGLY.



CAUTION:

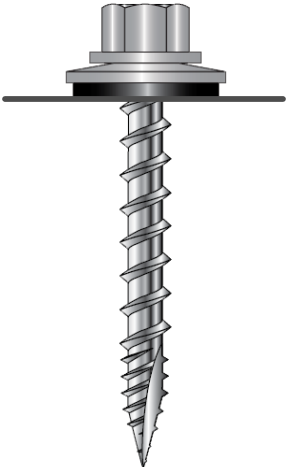
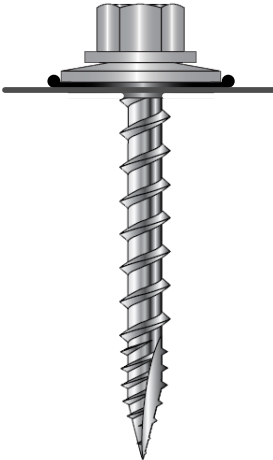
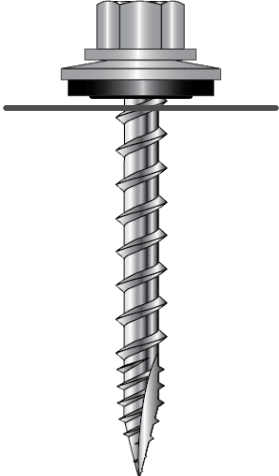
TOUCH - UP PAINT DOES NOT HAVE THE CHALK AND FADE RESISTANCE OF THE FACTORY APPLIED FINISH AND CAN DISCOLOR AT AN ACCELERATED RATE. ALL PAINT NEEDS TO BE SHAKEN WELL AND TESTED IN AN INCONSPICUOUS PLACE TO ENSURE CORRECT COLOR AND FINISH.

MAC

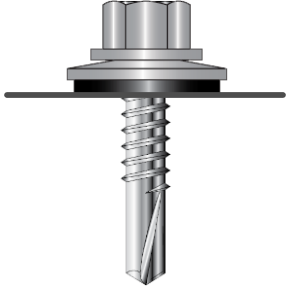
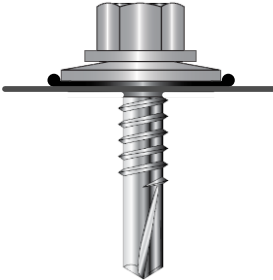
WWW.MACMETALSALES.COM

SCREW GUIDE

METAL TO WOOD SELF-TAPPING

CORRECT SEAL	TOO TIGHT	TOO LOOSE
		

METAL TO METAL SELF-DRILLING

CORRECT SEAL	TOO TIGHT	TOO LOOSE
		
<p>METAL WASHER IS SLIGHTLY COMPRESSED WITH THE NEOPRENE WASHER SLIGHTLY VISIBLE. THIS SEAL IS CORRECT AND WILL BE WEATHER TIGHT.</p>	<p>METAL WASHER IS FULLY COMPRESSED WITH THE NEOPRENE WASHER EXTENDING PAST THE EDGES. THIS SEAL WILL FAIL, AS WELL AS CAUSING DENTS OR PITTING IN THE MATERIAL.</p>	<p>METAL WASHER IS NOT COMPRESSED ONTO THE NEOPRENE WASHER AT ALL. THIS SEAL WILL ALSO FAIL DUE TO THE LACK OF CONTACT BETWEEN THE ROOFING AND THE WASHER ITSELF.</p>

SCREW USAGE

- SCREWS ARE THE BEST OPTION FOR PANEL AND TRIM INSTALLATION. PAINTED HEADS OFFER ADDED PROTECTION OVER BARE GALVANIZED. IF ATTACHING TO WOOD, A METAL TO WOOD SELF-TAPPING SCREW SHOULD BE USED. IF ATTACHING TO METAL, A METAL TO METAL SELF-DRILLING SCREW SHOULD BE USED.
- THE CORRECT SCREW GUN IS ALSO IMPORTANT TO THE PROPER INSTALLATION OF SELF-TAPPING OR SELF-DRILLING SCREWS. THE APPROPRIATE SPEED AND TORQUE SETTING WILL HELP PREVENT STRIP-OUT AND DAMAGE TO MATERIAL COATINGS.
- TYPICALLY, 80 SCREWS SHOULD BE USED PER SQUARE OF METAL FOR 36" WIDE PANELS AND 1 SCREW PER LINEAR FOOT FOR 16" PANELS.
- APPLY SUFFICIENT TORQUE TO SEAT THE WASHER WITHOUT OVERDRIVING THE FASTENER.
- MAKE SURE SCREW HEAD IS COMPLETELY ENGAGED IN THE SOCKET TO PREVENT WOBBLING. METAL SHAVINGS WILL BUILD UP FROM DRILLING AND SHOULD BE REMOVED, AS THIS CAUSES THE HEAD TO NOT GO DOWN ALL THE WAY IN THE SOCKET.
- PUSH ONLY HARD ENOUGH ON THE SCREW GUN TO ENGAGE CLUTCH. THIS WILL PREVENT EXCESS FRICTION AND BURN OUT OF THE DRILL POINT. CORRECT PRESSURE WILL ALLOW THE SCREW TO DRILL AND TAP WITHOUT BINDING.



CAUTION

BE SURE TO REMOVE ALL SCREW SHAVINGS FROM ROOF AT THE END OF EACH WORK INTERVAL AS THIS WILL CAUSE RUST AND VOID ANY WARRANTIES.

MAC

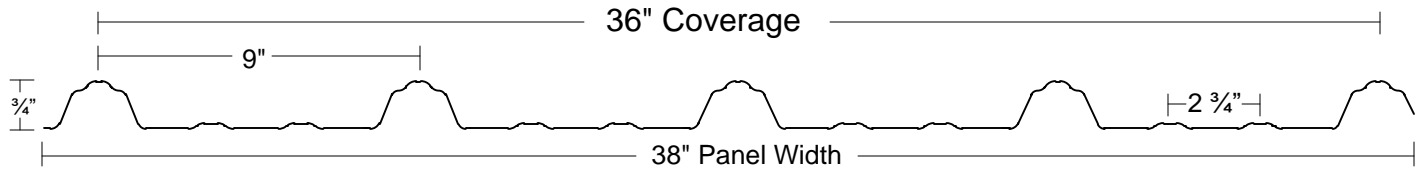
WWW.MACMETALSALES.COM

MAC-RIB PANEL 29GA* TECHNICAL SPECIFICATIONS

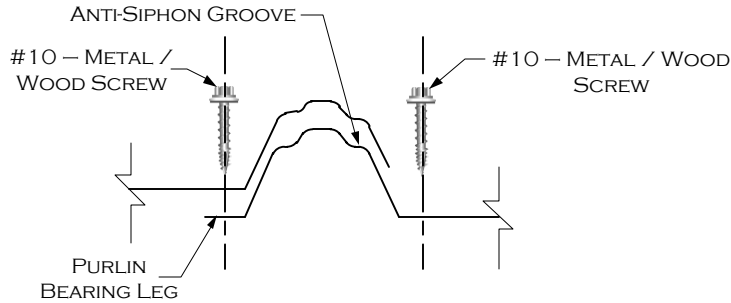
LIFETIME WARRANTY PAINTED

MAC-TEN

GALVALUME

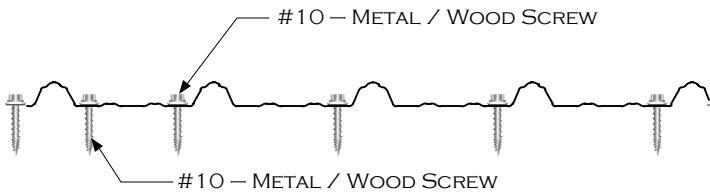


ATTACHMENT DETAIL

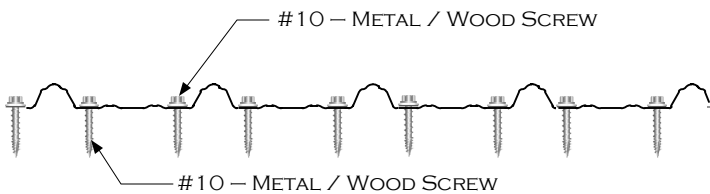


SCREW PATTERNS

MIDDLE OF PANEL



EAVE EDGE OF PANEL



GENERAL INFORMATION

SLOPE

THE MINIMUM RECOMMENDED SLOPE FOR MAC-RIB PANELS IS 1:12. MAC METAL SALES RECOMMENDS THAT IN ROOF APPLICATIONS WITH A SLOPE OF 3:12 OR LESS, MASTIC TAPE BE USED ON ALL SIDE LAPS.

SUBSTRUCTURE

MAC-RIB PANELS ARE DESIGNED TO BE UTILIZED OVER OPEN STRUCTURAL FRAMING OR A SOLID SUBSTRATE.

COVERAGE

MAC-RIB PANELS ARE OFFERED IN A 3/4" RIB HEIGHT WITH A COVERAGE OF 36".

LENGTH

MINIMUM FACTORY CUT LENGTH IS 3'-0". MAXIMUM RECOMMENDED PANEL LENGTH IS 48'-0". LONGER PANELS REQUIRE ADDITIONAL CONSIDERATION IN MANUFACTURING, PACKAGING, SHIPPING AND ERECTION. SHORTER PANELS ALSO REQUIRE ADDITIONAL CONSIDERATIONS. PLEASE CONSULT MAC METAL SALES FOR RECOMMENDATIONS.

FASTENERS

THE FASTENERS SELECTION GUIDE SHOULD BE CONSULTED FOR CHOOSING THE PROPER FASTENER FOR SPECIFIC APPLICATIONS. QUANTITY AND TYPE OF FASTENERS MUST MEET NECESSARY LOADING AND CODE REQUIREMENTS.

NOTE: PANELS ARE SUBJECT TO SURFACE DISTORTION DUE TO IMPROPERLY APPLIED FASTENERS. OVERDRIVEN FASTENERS WILL CAUSE STRESS AND INDUCE OIL CANNING ACROSS THE FACE OF THE PANEL, SEE FASTENER DETAIL.

CUT FEE

A CUT FEE WILL BE APPLIED TO ALL PANEL LENGTHS LESS THAN 3'0".

SECTION PROPERTIES

GA.	FY (KSI)	WEIGHT (LN.FT.)	V _a kip/ft.	P _{a_end} lbs/ft.	P _{a_int} lbs/ft.	TOP IN COMPRESSION			BOTTOM IN COMPRESSION		
						I _x (in. ⁴ /ft.)	S _e (in. ³ /ft.)	M _a kip in./ft.	I _x (in. ⁴ /ft.)	S _e (in. ³ /ft.)	M _a kip in./ft.
29	80.0	2	0.4160	193.50	253.70	0.0100	0.0172	0.6170	0.0060	0.0173	0.5100

1. SECTION PROPERTIES ARE CALCULATED IN ACCORDANCE WITH THE 2001 AISI NORTH AMERICAN SPECIFICATION FOR THE DESIGN OF COLD-FORMED STEEL STRUCTURAL MEMBERS.

2. V_a IS THE ALLOWABLE SHEAR.

3. P_a IS THE ALLOWABLE LOAD FOR WEB CRIPPLING ON END AND INTERIOR SUPPORTS.

4. I_x IS FOR DEFLECTION DETERMINATION.

5. S_e IS FOR BENDING

6. M_a IS THE ALLOWABLE BENDING MOMENT.

7. ALL VALUES ARE FOR ONE FOOT OF PANEL WIDTH.

*MAC-RIB PANEL IS ALSO AVAILABLE IN 26 GA. PLEASE SEE A MAC METAL ASSOCIATE FOR DETAILS.



WWW.MACMETALSALES.COM

MAC-RIB 29GA TRIM

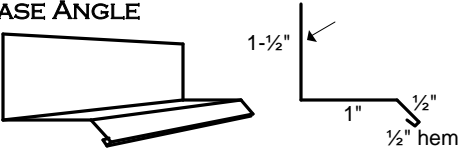
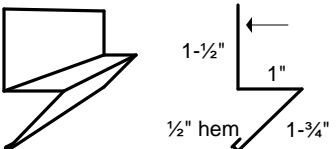
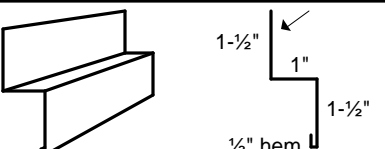
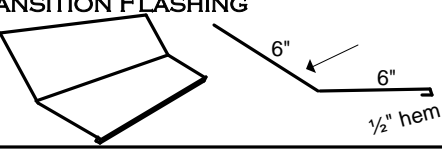
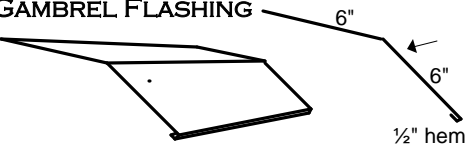
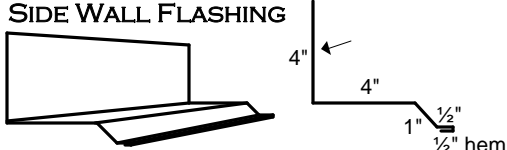
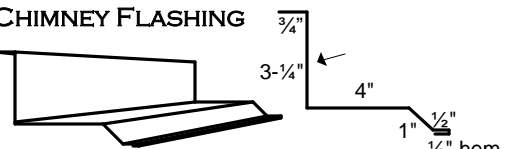
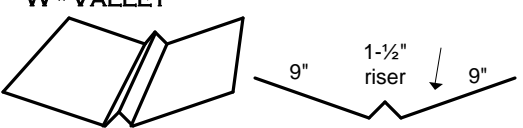
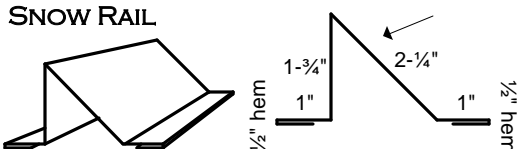
ITEM	DESCRIPTION			
	GENERAL	PRODUCT ID	LENGTH	WEIGHT
RIDGE CAP 	COVERS THE RIDGE OR HIP OF A ROOF AND IS USED IN CONJUNCTION WITH AN OUTSIDE CLOSURE. CAN BE VENTED USING A LOW PROFILE VENTED CLOSURE.	RID	10'6"	8.63#
EXTRA WIDE RIDGE CAP 	COVERS THE RIDGE OR HIP OF A ROOF AND IS USED IN CONJUNCTION WITH AN OUTSIDE CLOSURE. CAN BE VENTED USING A LOW PROFILE VENTED CLOSURE.	EXRID106	10'6"	12.0#
CORNER 	USED TO TRIM THE EDGE OF THE ROOFING PANEL AT THE GABLE END OF THE ROOF. IT IS ALSO USED TO CAP THE CORNERS OF A BUILDING.	COR10 COR12 COR14 COR16 COR18	10' 12' 14' 16' 18'	7.63# 9.16# 10.7# 12.2# 13.8#
MINI CORNER 	USED TO TRIM THE EDGE OF THE ROOFING PANEL AT THE GABLE END OF THE ROOF. IT IS ALSO USED TO CAP THE CORNERS OF A BUILDING.	MINI10 MINI12 MINI14 MINI16 MINI18	10' 12' 14' 16' 18'	6.46# 7.75# 9.04# 10.4# 11.7#
2 1/2" CORNER 	USED TO TRIM THE EDGE OF THE ROOFING PANEL AT THE GABLE END OF THE ROOF. IT IS ALSO USED TO CAP THE CORNERS OF A BUILDING.	2.5COR10 2.5COR12 2.5COR14 2.5COR16 2.5COR18	10' 12' 14' 16' 18'	6.46# 7.75# 9.04# 10.4# 11.7#
GABLE TRIM 	USED TO TRIM THE EDGE OF THE ROOFING PANEL AT THE GABLE END OF THE ROOF.	GT10	10'	5#
HOUSE RAKE 	USED TO TRIM THE EDGE OF THE ROOFING PANEL AT THE GABLE END OF THE ROOF.	HRAKE10 HRAKE12 HRAKE14 HRAKE16 HRAKE18	10' 12' 14' 16' 18'	7.05# 8.46# 9.86# 11.3# 12.7#
DRIP EDGE 	PROTECTS THE EAVE EDGE OF A ROOF FROM SIPHONING WATER UNDER THE PANEL AND IS USED IN CONJUNCTION WITH AN INSIDE CLOSURE. ALSO PROVIDES A FINISHED LOOK.	DE	10'	2.06#
OVERSIZED DRIP EDGE 	PROTECTS THE EAVE EDGE OF A ROOF FROM SIPHONING WATER UNDER THE PANEL AND IS USED IN CONJUNCTION WITH AN INSIDE CLOSURE. ALSO PROVIDES A FINISHED LOOK.	OSDE10	10'	3.51#
EAVE TRIM 	PROTECTS THE EAVE EDGE OF A ROOF FROM SIPHONING WATER UNDER THE PANEL AND IS USED IN CONJUNCTION WITH AN INSIDE CLOSURE. ALSO PROVIDES A FINISHED LOOK.	ET	10'	5.72#

NOTE: OTHER LENGTHS AND SIZES AVAILABLE. PLEASE ASK AN ASSOCIATE FOR DETAILS. FOR THE MOST CURRENT INFORMATION VISIT OUR WEBSITE.



WWW.MACMETALSALES.COM

MAC-RIB 29GA TRIM

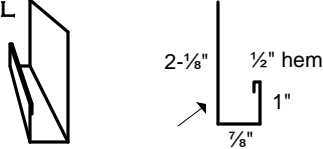
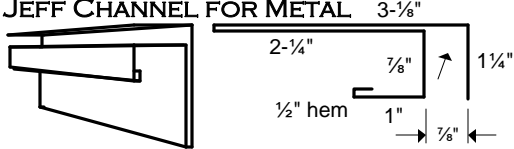
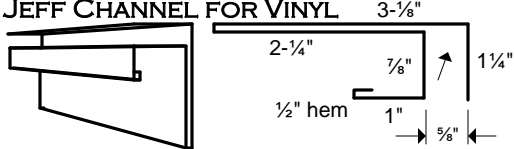
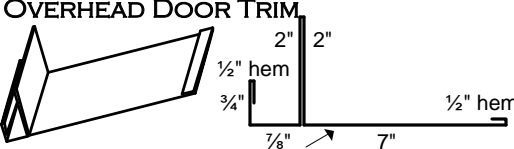
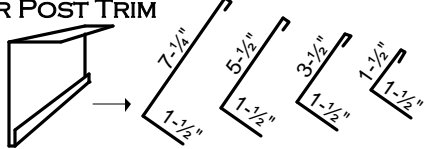
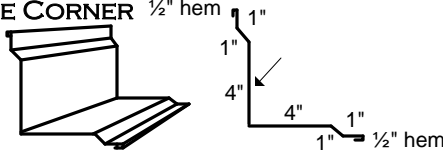
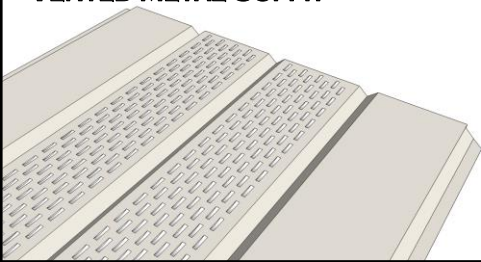
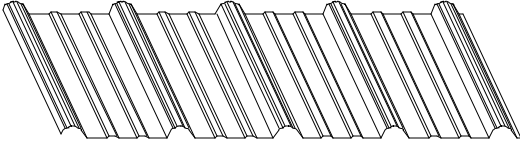
ITEM	DESCRIPTION			
	GENERAL	PRODUCT ID	LENGTH	WEIGHT
BASE ANGLE 	SEALS THE BOTTOM OF PANELS AT THE FLOOR LEVEL, PREVENTING RODENTS AND INSECTS FROM ENTERING THE BUILDING.	BA	10'	2.06#
RAT GUARD 	SEALS THE BOTTOM OF PANELS AT THE FLOOR LEVEL, PREVENTING RODENTS AND INSECTS FROM ENTERING THE BUILDING.	RGRD	10'	2.79#
Z - BAR 	CREATES A WAINSCOT IN A WALL WITH EITHER TWO SHEETS OF METAL OR A SHEET OF METAL MEETING AN ALTERNATIVE MATERIAL LIKE BRICK OR STONE.	ZBAR	10'	2.64#
TRANSITION FLASHING 	PREVENTS LEAKAGE AT THE POINT OF A ROOF WHERE A HIGH PITCH MEETS A LOW PITCH. ALSO KNOWN AS ENDWALL OR LOWER GAMBREL.	TRANS10	10'	6.75#
GAMBREL FLASHING 	PREVENTS LEAKAGE AT THE POINT OF A ROOF WHERE A LOW PITCH MEETS A HIGH PITCH. ALSO KNOWN AS UPPER GAMBREL.	GF	10'	6.75#
SIDE WALL FLASHING 	USED WHERE THE UPWARD SLOPE OF A ROOF MEETS A WALL AND WHERE THE SIDE OF A ROOF BUMPS UP AGAINST AN ADJACENT WALL.	SWF	10'	5.40#
CHIMNEY FLASHING 	FLASHES AROUND A BRICK, BLOCK, OR STONE CHIMNEY OR WALL.	CHIM	10'	5.28#
W - VALLEY 	PREVENTS WATER FROM RUSHING UNDER THE PANELS WHILE DIVERTING THE WATER OFF THE ROOF AND IS USED IN CONJUNCTION WITH UNI-SEAL.	WV10	10'	12.4#
SNOW RAIL 	KEEPS SNOW FROM FALLING FROM THE ROOF IN SHEETS. PROTECTS GUTTERS & PROPERTY. ATTACHES TO THE PANEL WITH 3/4" WOOD STITCH SCREWS.	SNOW10	10'	3.35#

NOTE: OTHER LENGTHS AND SIZES AVAILABLE. PLEASE ASK AN ASSOCIATE FOR DETAILS. FOR THE MOST CURRENT INFORMATION VISIT OUR WEBSITE.



WWW.MACMETALSALES.COM

MAC-RIB 29GA TRIM

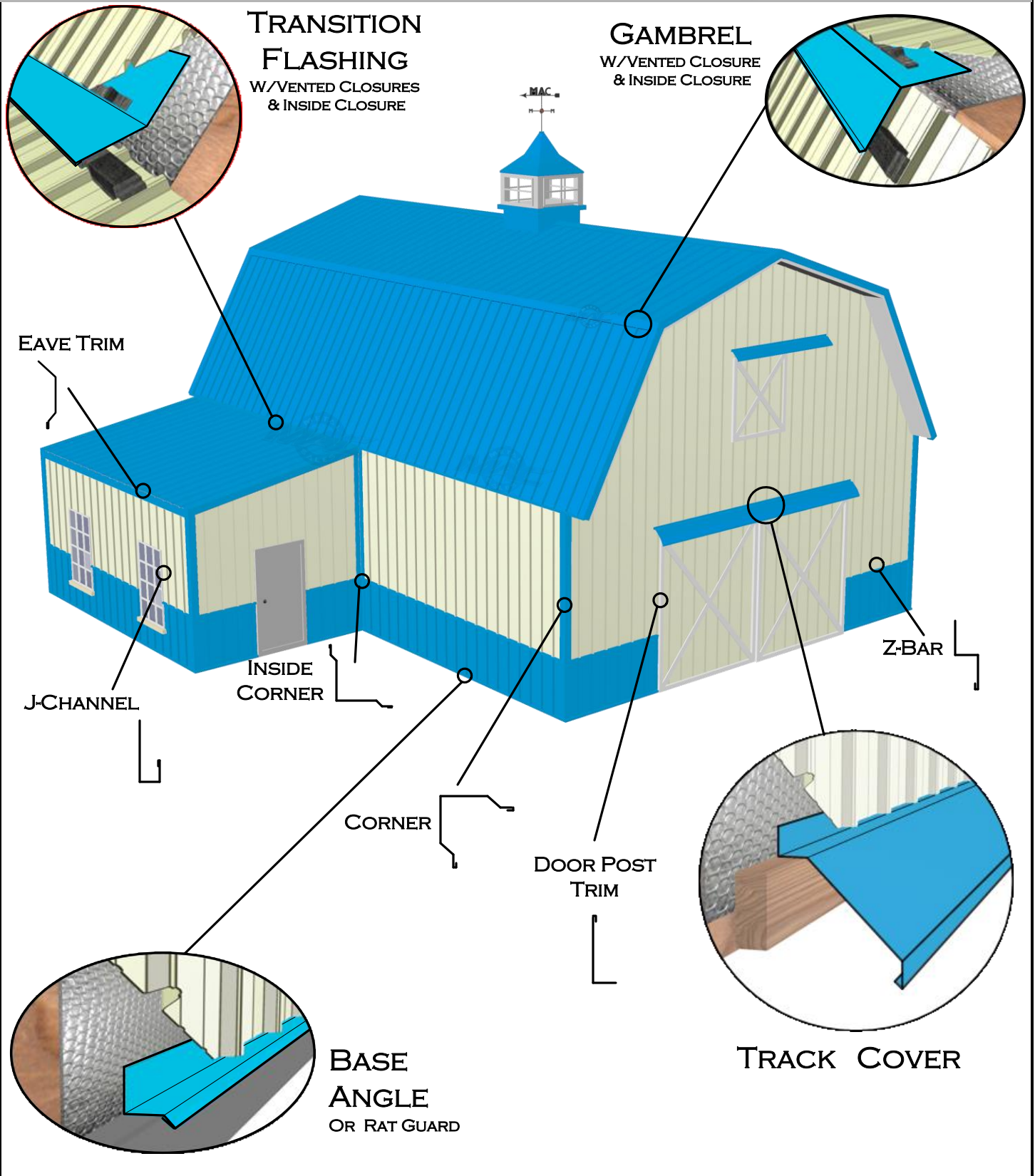
ITEM	DESCRIPTION			
	GENERAL	PRODUCT ID	LENGTH	WEIGHT
J - CHANNEL 	ACTS AS A RECEIVER FOR PANELS AROUND DOORS, WINDOWS AND VARIOUS OTHER OPENINGS.	JC 10 JC 12 JC 14 JC 16	10' 12' 14' 16'	2.94# 3.52# 4.11# 4.70#
JEFF CHANNEL FOR METAL 	RECEIVES A WALL PANEL AND A CEILING PANEL, TAKING THE PLACE OF USING TWO J - CHANNELS. ALSO RECEIVES SOFFIT IN EXTERNAL APPLICATIONS.	JEFCH10	10'	5.72#
JEFF CHANNEL FOR VINYL 	RECEIVES A WALL PANEL AND A CEILING PANEL, TAKING THE PLACE OF USING TWO J - CHANNELS. ALSO RECEIVES SOFFIT IN EXTERNAL APPLICATIONS.	JEFVCH10	10'	5.72#
OVERHEAD DOOR TRIM 	WRAPS THE JAMB OF A DOOR WHILE RECEIVING A WALL PANEL. CAN ALSO BE USED AS A FASCIA/ J-CHANNEL COMBO FOR OVERHANG APPLICATIONS.	OHDT10 OHDT12 OHDT14 OHDT16	10' 12' 14' 16'	8.22# 9.86# 11.6# 13.2#
DOOR POST TRIM 	WRAPS THE JAMB OF A DOOR AND CAN BE USED WITH A J - CHANNEL.	15ANG 35ANG 55ANG 75ANG	10' 10' 10' 10'	2.06# 3.23# 4.40# 5.43#
INSIDE CORNER 	TRIMS EXTERIOR AND INTERIOR OF INSIDE CORNERS.	INCOR10 INCOR12 INCOR14 INCOR16	10' 12' 14' 16'	7.63# 9.16# 10.7# 12.2#
VENTED METAL SOFFIT 	ALLOWS BUILDINGS TO BREATHE AT THE OVERHANGS, CREATING CONTINUOUS AIRFLOW. INTERLOCKING DESIGN CENTER VENT <small>*THIS IS NOT A STOCK ITEM, FREIGHT CHARGES MAY APPLY PLEASE CONTACT A SALESMAN FOR LEAD TIMES. **OTHER SIZES AND COLORS AVAILABLE.</small>	SOF144	12'	12.2#
SOLID METAL SOFFIT 	KEEPS BIRDS & PESTS FROM ENTERING THROUGH THE OVERHANG SPACING AND PROVIDES AN AESTHETICALLY PLEASING APPEARANCE. <small>*CUT FEES APPLY</small>	MACRIB	1'0"	2.00#

NOTE: OTHER LENGTHS AND SIZES AVAILABLE. PLEASE ASK AN ASSOCIATE FOR DETAILS. FOR THE MOST CURRENT INFORMATION VISIT OUR WEBSITE.



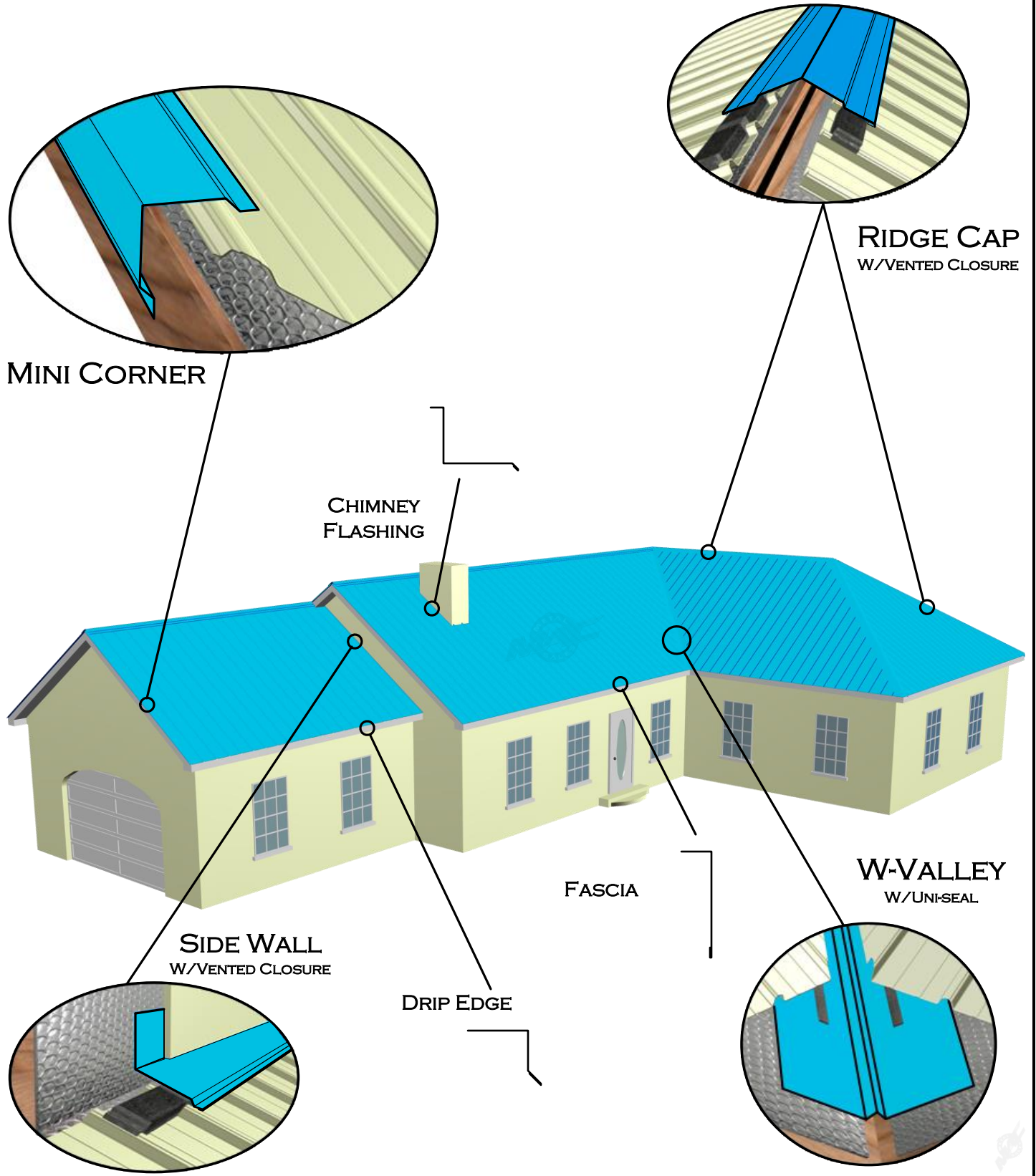
WWW.MACMETALSALES.COM

TRIM APPLICATIONS



WWW.MACMETALSALES.COM

TRIM APPLICATIONS

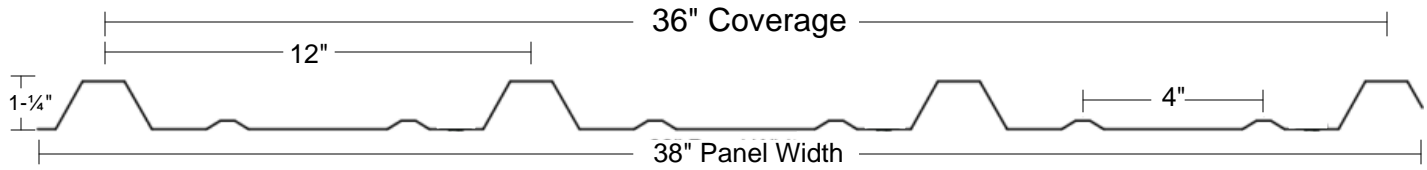


MAC

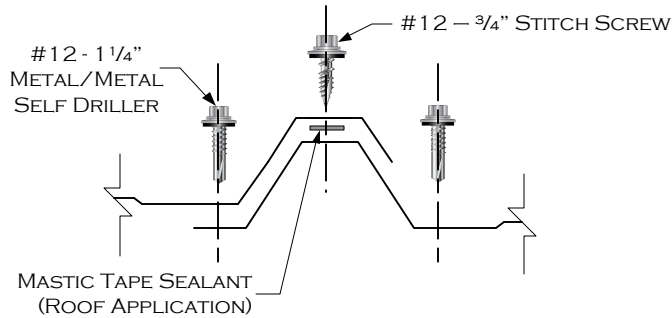
WWW.MACMETALSALES.COM

HI-RIB PANEL 26GA* TECHNICAL SPECIFICATIONS

LIFETIME WARRANTY PAINTED | GALVALUME

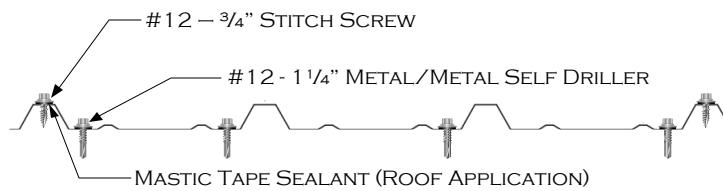


ATTACHMENT DETAIL

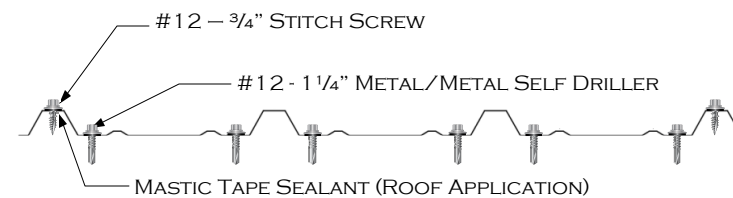


SCREW PATTERNS

MIDDLE OF PANEL



EAVE EDGE OF PANEL



GENERAL INFORMATION

SLOPE

THE MINIMUM RECOMMENDED SLOPE FOR HI-RIB PANELS IS 1/2 : 12. MAC METAL SALES RECOMMENDS THAT IN ROOF APPLICATIONS, MASTIC TAPE BE USED ON ALL SIDE LAPS WITH STITCH SCREWS 1'-0" ON CENTER.

SUBSTRUCTURE

HI-RIB PANELS ARE DESIGNED TO BE UTILIZED OVER OPEN STRUCTURAL FRAMING AND CAN EASILY BE USED WITH A SOLID SUBSTRATE.

COVERAGE

HI-RIB PANELS ARE OFFERED IN A 1 1/4" RIB HEIGHT WITH A COVERAGE OF 36".

LENGTH

MINIMUM FACTORY CUT LENGTH IS 3'-0". MAXIMUM RECOMMENDED PANEL LENGTH IS 48'-0". LONGER PANELS REQUIRE ADDITIONAL CONSIDERATION IN MANUFACTURING, PACKAGING, SHIPPING AND ERECTION. SHORTER PANELS ALSO REQUIRE ADDITIONAL CONSIDERATIONS. PLEASE CONSULT MAC METAL SALES FOR RECOMMENDATIONS.

FASTENERS

THE FASTENERS SELECTION GUIDE SHOULD BE CONSULTED FOR CHOOSING THE PROPER FASTENER FOR SPECIFIC APPLICATIONS. QUANTITY AND TYPE OF FASTENERS MUST MEET NECESSARY LOADING AND CODE REQUIREMENTS.

NOTE: PANELS ARE SUBJECT TO SURFACE DISTORTION DUE TO IMPROPERLY APPLIED FASTENERS. OVERDRIVEN FASTENERS WILL CAUSE STRESS AND INDUCE OIL CANNING ACROSS THE FACE OF THE PANEL, SEE FASTENER DETAIL.

CUT FEE

A CUT FEE WILL BE APPLIED TO ALL PANEL LENGTHS LESS THAN 3'0".

SECTION PROPERTIES

GA.	WIDTH (IN.)	YIELD KSI	WEIGHT (LN.FT.)	TOP IN COMPRESSION		BOTTOM IN COMPRESSION	
				IXX IN4/FT	SXX IN3/FT	IXX IN4/FT	SXX IN3/FT
26	36"	80	2.63	0.0360	0.0358	0.0313	0.0452

ALLOWABLE UNIFORM LIVE LOADS PSF (3 OR MORE EQUAL SPANS)

INWARD (GRAVITY/DEFLECTION) LOAD							OUTWARD UPLIFT (STRESS) LOAD					
2'	3'	4'	5'	6'	7'		2'	2'	4'	5'	6'	7'
256	127	74	49	34	23		217	104	60	39	27	20

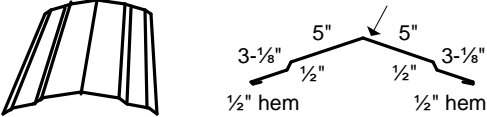
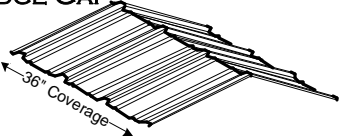
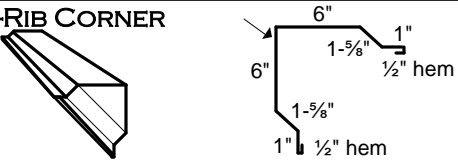
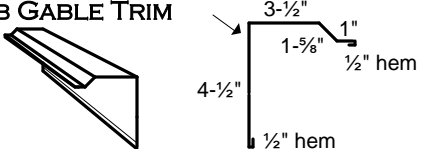
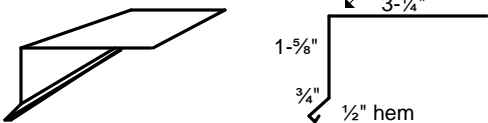
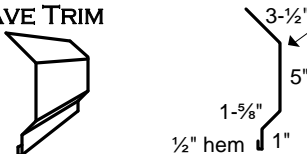
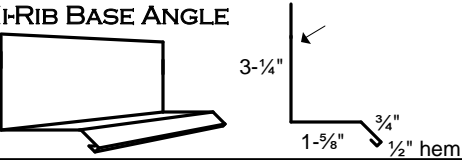
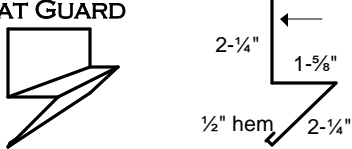
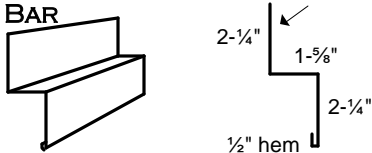
1. THEORETICAL SECTION PROPERTIES HAVE BEEN CALCULATED PER AISI 2001 "SPECIFICATION FOR THE DESIGN OF COLD-FORMED STEEL STRUCTURAL MEMBERS." IXX AND SXX ARE EFFECTIVE SECTION PROPERTIES FOR DEFLECTION AND BENDING.
2. ALLOWABLE LOAD IS CALCULATED IN ACCORDANCE WITH AISI 2001 SPECIFICATIONS CONSIDERING BENDING, SHEAR, COMBINED BENDING AND SHEAR, DEFLECTION AND APPLICABLE TESTING WHEN AVAILABLE. ALLOWABLE LOAD CONSIDERS THE WORST CASE OF 3 AND 4 EQUAL SPAN CONDITIONS. ALLOWABLE LOAD DOES NOT ADDRESS WEB CRIPPLING OR FASTENERS SUPPORT CONNECTION AND PANEL WEIGHT IS NOT CONSIDERED.
3. DEFLECTION CONSIDERATION IS LIMITED BY A MAXIMUM DEFLECTION RATIO OF L/180 OF SPAN.
4. ALLOWABLE LOADS DO NOT INCLUDE A 1/3 STRESS INCREASE IN UPLIFT.

*HI-RIB PANEL IS ALSO AVAILABLE IN 29 GA. PLEASE SEE A MAC METAL ASSOCIATE FOR DETAILS.



WWW.MACMETALSALES.COM

HI-RIB 26GA TRIM

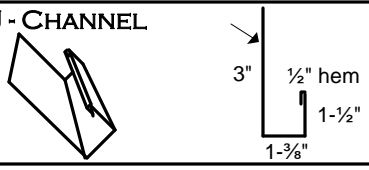
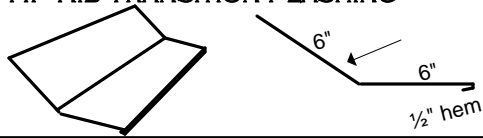
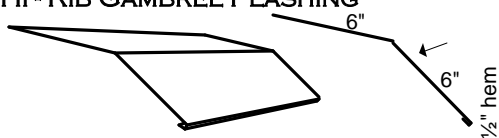
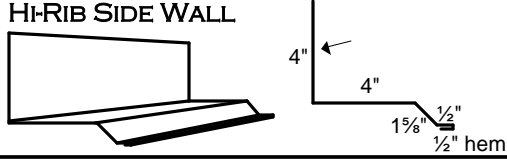
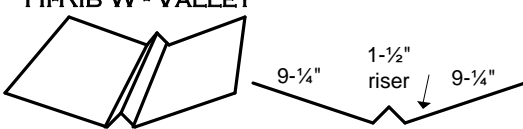
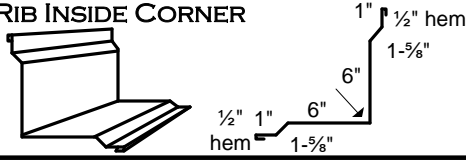
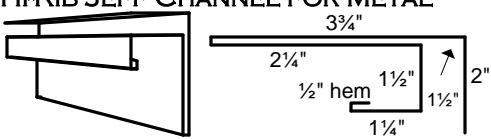
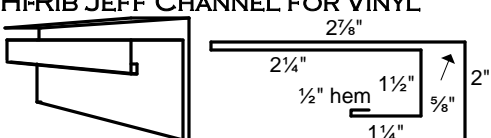
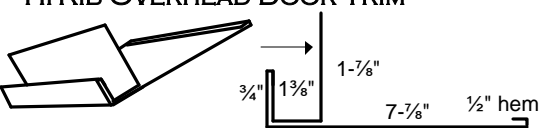
ITEM	DESCRIPTION			
	GENERAL	PRODUCT ID	LENGTH	WEIGHT
HI-RIB RIDGE CAP 	COVERS THE RIDGE OR HIP OF A ROOF AND IS USED IN CONJUNCTION WITH AN OUTSIDE CLOSURE. CAN BE VENTED USING A LOW PROFILE VENTED CLOSURE.	HRRIDCAP	10'6"	12.1#
DIE-FORM RIDGE CAP 	COVERS THE RIDGE OF A ROOF. CAN BE MADE UP TO A 3/12 PITCH.	DFRC	3'	8.10#
HI-RIB CORNER 	USED TO CAP THE CORNER OF A BUILDING.	HRCOR10 HRCOR12 HRCOR14 HRCOR16 HRCOR18 HRCOR20	10' 12' 14' 16' 18' 20'	11.5# 13.8# 16.1# 18.4# 20.7# 23.0#
HI-RIB GABLE TRIM 	USED TO TRIM THE EDGE OF THE ROOFING PANEL AT THE GABLE END OF THE ROOF.	HRGT10	10'	7.33#
HI-RIB DRIP EDGE 	PROTECTS THE EAVE EDGE OF A ROOF FROM SIPHONING WATER UNDER THE PANEL AND IS USED IN CONJUNCTION WITH AN INSIDE CLOSURE. ALSO PROVIDES A FINISHED APPEARANCE.	HRDE10	10'	3.86#
HI-RIB EAVE TRIM 	PROTECTS THE EAVE EDGE OF A ROOF FROM SIPHONING WATER UNDER THE PANEL AND IS USED IN CONJUNCTION WITH AN INSIDE CLOSURE. ALSO PROVIDES A FINISHED APPEARANCE.	HRET	10'	7.33#
HI-RIB BASE ANGLE 	SEALS THE BOTTOM OF PANELS AT THE FLOOR LEVEL, PREVENTING RODENTS AND INSECTS FROM ENTERING THE BUILDING.	HRBA10	10'	3.55#
HI-RIB RAT GUARD 	SEALS THE BOTTOM OF PANELS AT THE FLOOR LEVEL, PREVENTING RODENTS AND INSECTS FROM ENTERING THE BUILDING.	HRRG10	10'	4.18#
HI-RIB Z-BAR 	CREATES A WAINSCOT IN A WALL WITH EITHER TWO SHEETS OF METAL OR A SHEET OF METAL MEETING AN ALTERNATIVE MATERIAL LIKE BRICK OR STONE.	HRZB10	10'	4.18#

NOTE: OTHER LENGTHS AND SIZES AVAILABLE. PLEASE ASK AN ASSOCIATE FOR DETAILS. FOR THE MOST CURRENT INFORMATION VISIT OUR WEBSITE.



WWW.MACMETALSALES.COM

HI-RIB 26GA TRIM

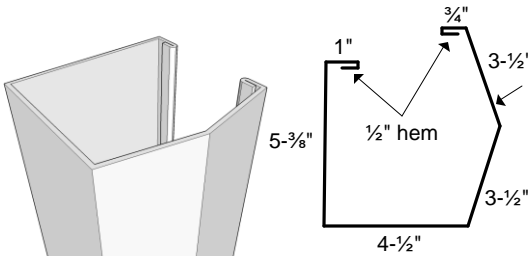
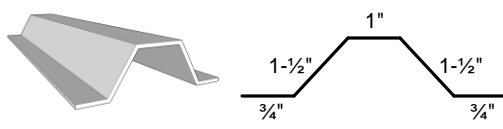
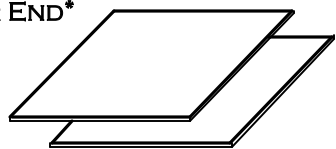
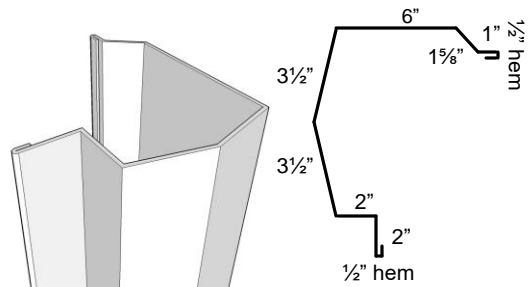
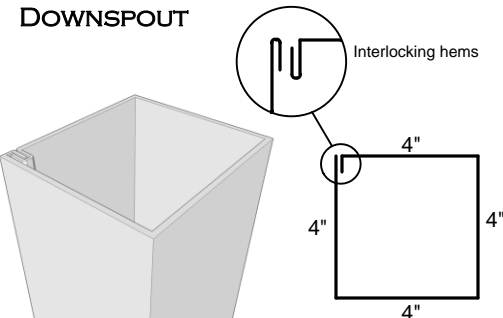
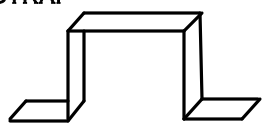
ITEM	DESCRIPTION			
	GENERAL	PRODUCT ID	LENGTH	WEIGHT
HI-RIB J - CHANNEL 	ACTS AS A RECEIVER FOR PANELS AROUND DOORS, WINDOWS AND VARIOUS OTHER OPENINGS.	HRJC 10 HRJC 12 HRJC 14 HRJC 16	10' 12' 14' 16'	4.02# 4.82# 5.63# 6.43#
HI - RIB TRANSITION FLASHING 	PREVENTS LEAKAGE AT THE POINT OF A ROOF WHERE A HIGH PITCH MEETS A LOW PITCH. ALSO KNOWN AS ENDWALL OR LOWER GAMBREL.	HRTRANS	10'	8.90#
HI - RIB GAMBREL FLASHING 	PREVENTS LEAKAGE AT THE POINT OF A ROOF WHERE A LOW PITCH MEETS A HIGH PITCH. ALSO KNOWN AS UPPER GAMBREL.	HRGF	10'	8.90#
HI-RIB SIDE WALL 	USED WHERE THE UPWARD SLOPE OF A ROOF MEETS A WALL AND WHERE THE SIDE OF A ROOF BUMPS UP AGAINST AN ADJACENT WALL.	HRSW10	10'	6.38#
HI-RIB W - VALLEY 	PREVENTS WATER FROM RUSHING UNDER THE PANELS WHILE DIVERTING THE WATER OFF THE ROOF.	HRWV10	10'	13.6#
HI-RIB INSIDE CORNER 	TRIMS EXTERIOR AND INTERIOR OF INSIDE CORNERS.	HRINC10	10'	11.5#
HI-RIB JEFF CHANNEL FOR METAL 	RECEIVES A WALL PANEL AND A CEILING PANEL, TAKING THE PLACE OF USING TWO J - CHANNELS. ALSO RECEIVES SOFFIT IN EXTERNAL APPLICATIONS.	HRJEF10	10'	7.1#
HI-RIB JEFF CHANNEL FOR VINYL 	RECEIVES A WALL PANEL AND A CEILING PANEL, TAKING THE PLACE OF USING TWO J - CHANNELS. ALSO RECEIVES SOFFIT IN EXTERNAL APPLICATIONS.	HRJEFV10	10'	6.75#
HI-RIB OVERHEAD DOOR TRIM 	WRAPS THE JAMB OF A DOOR WHILE RECEIVING A WALL PANEL. CAN ALSO BE USED AS A FASCIA/ J-CHANNEL COMBO FOR OVERHANG APPLICATIONS.	HROHDT10 HROHDT12 HROHDT14 HROHDT16	10' 12' 14' 16'	9.86# 11.6# 13.2# 14.8#

NOTE: OTHER LENGTHS AND SIZES AVAILABLE. PLEASE ASK AN ASSOCIATE FOR DETAILS. FOR THE MOST CURRENT INFORMATION VISIT OUR WEBSITE.



WWW.MACMETALSALES.COM

HI-RIB 26GA GUTTERS & ACCESSORIES

ITEM	DESCRIPTION			
	GENERAL	PRODUCT ID	LENGTH	WEIGHT
COMMERCIAL GUTTER 	<ul style="list-style-type: none"> - USED ON COMMERCIAL OR INDUSTRIAL BUILDINGS. - CONNECTS END TO END WITH A 2" OVERLAP. - 26GA. CONSTRUCTION 	GUT10 GUT12 GUT14 GUT16 GUT18 GUT20	10'2" 12'2" 14'2" 16'2" 18'2" 20'2"	12.7# 15.1# 17.6# 20.1# 22.5# 25.0#
GUTTER STRAP 	<ul style="list-style-type: none"> - HOLDS THE OUTSIDE EDGE OF THE GUTTER TO THE ROOF LINE AND ATTACHES UNDER ROOF PANELS. - TO BE USED WITH HI-RIB PANELS - 26GA. CONSTRUCTION 	GUTSTRAP	1'	1.04#
GUTTER END* 	CAPS THE END OF GUTTERS 12" x 12" 26GA. MATERIAL <small>*FIELD BEND APPLICATION</small>	GUTEND	N/A	.756#
COMMERCIAL RAKE 	<ul style="list-style-type: none"> - USED TO TRIM THE EDGE OF THE ROOFING PANEL AT THE GABLE END OF THE ROOF. - SCULPTED TO MATCH COMMERCIAL GUTTERS. - 26GA. CONSTRUCTION 	COMMRAKE10 COMMRAKE12 COMMRAKE14 COMMRAKE16 COMMRAKE18 COMMRAKE20	10' 12' 14' 16' 18' 20'	13.0# 15.6# 18.2# 20.8# 23.4# 26.0#
DOWNSPOUT 	<ul style="list-style-type: none"> - DIVERTS WATER FROM THE GUTTERS TO DRAINAGE SYSTEMS. - CONNECTS TO COMMERCIAL GUTTERS. - INTERLOCKS ON THE CORNER FOR A SEAMLESS APPEARANCE. - 26GA. CONSTRUCTION 	DOWNSP10 DOWNSP12 DOWNSP14 DOWNSP16 DOWNSP18 DOWNSP20	10' 12' 14' 16' 18' 20'	11.03# 13.3# 15.5# 17.7# 19.9# 22.1#
DOWNSPOUT STRAP* 	SECURES DOWNSPOUT TO WALL 1" WIDE 1 RECOMMENDED EVERY 5' <small>*FIELD BEND APPLICATION</small>	DOWNSTRP	16"	.336#

NOTE: OTHER LENGTHS AND SIZES AVAILABLE. PLEASE ASK AN ASSOCIATE FOR DETAILS. FOR THE MOST CURRENT INFORMATION VISIT OUR WEBSITE.

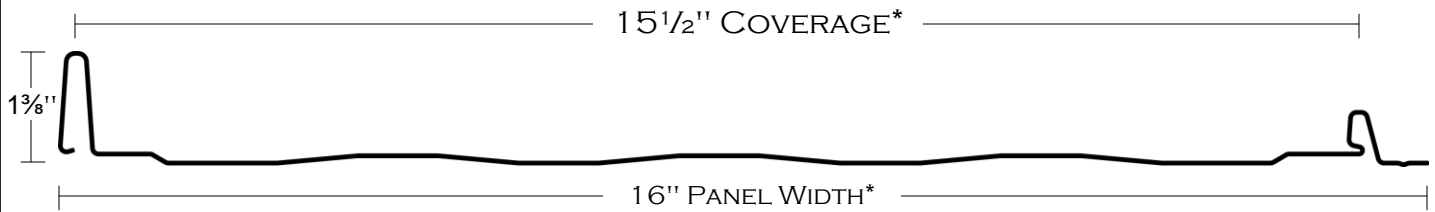


WWW.MACMETALSALES.COM

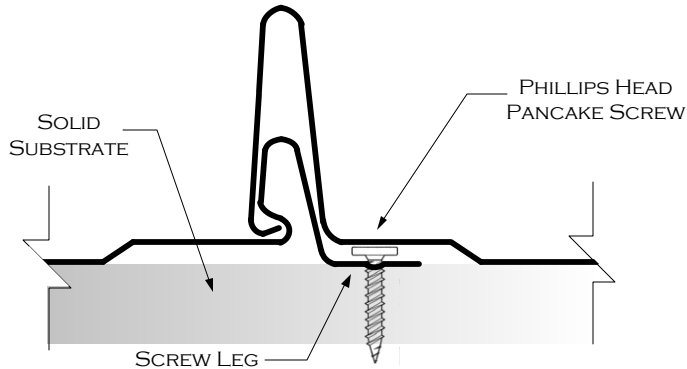
MAC-LOC 26GA*

TECHNICAL SPECIFICATIONS

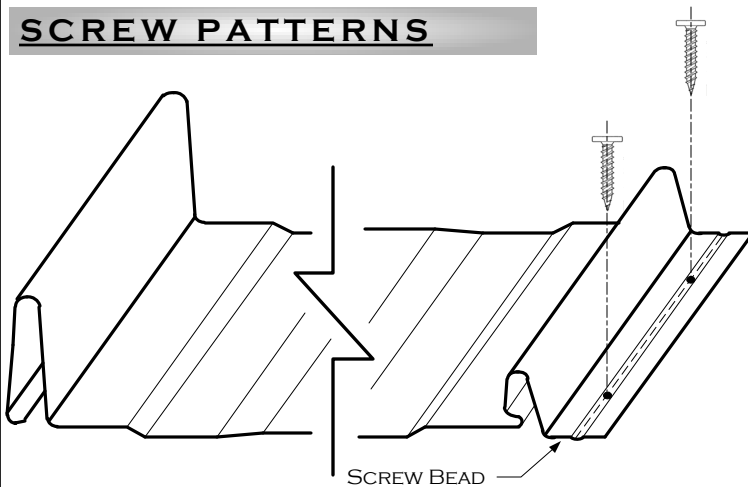
LIFETIME WARRANTY PAINTED | GALVALUME



ATTACHMENT DETAIL



SCREW PATTERNS



GENERAL INFORMATION

SLOPE

THE MINIMUM RECOMMENDED SLOPE FOR MAC-LOC PANELS IS 3:12.

SUBSTRUCTURE

MAC-LOC PANELS ARE DESIGNED TO BE UTILIZED OVER A SOLID SUBSTRATE.

NOTE: UNDER CERTAIN CONDITIONS, MAC-LOC PANELS CAN BE USED ON OPEN STRUCTURAL FRAMING. SEE A MAC METAL SALES ASSOCIATE FOR DETAILS.

COVERAGE*

MAC-LOC PANELS ARE OFFERED IN 1 3/8" RIB HEIGHT WITH A COVERAGE OF 15 1/2".

LENGTH

MINIMUM FACTORY CUT LENGTH IS 3'-0". MAXIMUM RECOMMENDED PANEL LENGTH IS 40'-0". LONGER PANELS REQUIRE ADDITIONAL CONSIDERATION IN MANUFACTURING, PACKAGING, SHIPPING AND ERECTION. PLEASE CONSULT MAC METAL SALES FOR RECOMMENDATIONS.

FASTENERS

THE FASTENERS SELECTION GUIDE SHOULD BE CONSULTED FOR CHOOSING THE PROPER FASTENER FOR SPECIFIC APPLICATIONS. QUANTITY AND TYPE OF FASTENERS MUST MEET NECESSARY LOADING AND CODE REQUIREMENTS.

NOTE: PANELS ARE SUBJECT TO SURFACE DISTORTION DUE TO IMPROPERLY APPLIED FASTENERS. OVERDRIVEN FASTENERS WILL CAUSE STRESS AND INDUCE OIL CANNING ACROSS THE FACE OF THE PANEL, SEE FASTENER DETAIL.

SECTION PROPERTIES

ALLOWABLE UNIFORM LIVE LOADS PSF (3 OR MORE EQUAL SPANS)

GA.	WIDTH (IN.)	YIELD KSI	WEIGHT (LN.FT.)	TOP IN COMPRESSION		BOTTOM IN COMPRESSION		OUTWARD UPLIFT (STRESS) LOAD					
				IXX IN ⁴ /FT	SXX IN ³ /FT	IXX IN ⁴ /FT	SXX IN ³ /FT	0'-6"	1'-0"	1'-3"	1'-6"	1'-9"	2'-0"
26	16"	50	1.25	0.0157	0.0168	0.0163	0.0175	86	71	64	56	46	42

1. THEORETICAL SECTION PROPERTIES HAVE BEEN CALCULATED PER AISI 2001 "SPECIFICATION FOR THE DESIGN OF COLD-FORMED STEEL STRUCTURAL MEMBERS." IXX AND SXX ARE EFFECTIVE SECTION PROPERTIES FOR DEFLECTION AND BENDING.

2. ALLOWABLE LOAD IS CALCULATED IN ACCORDANCE WITH AISI 2001 SPECIFICATIONS CONSIDERING BENDING, SHEAR, COMBINED BENDING AND SHEAR, DEFLECTION AND APPLICABLE TESTING WHEN AVAILABLE. ALLOWABLE LOAD CONSIDERS THE WORST CASE OF 3 AND 4 EQUAL SPAN CONDITIONS. ALLOWABLE LOAD DOES NOT ADDRESS WEB CRIPPLING OR FASTENERS SUPPORT CONNECTION AND PANEL WEIGHT IS NOT CONSIDERED.

3. DEFLECTION CONSIDERATION IS LIMITED BY A MAXIMUM DEFLECTION RATIO OF L/180 OF SPAN.

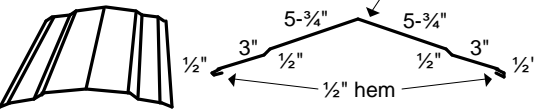
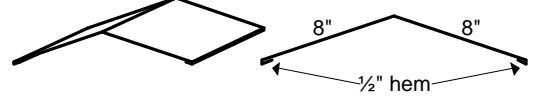
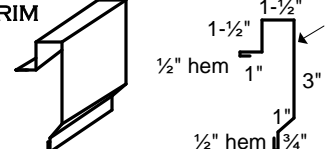
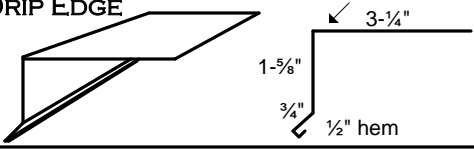
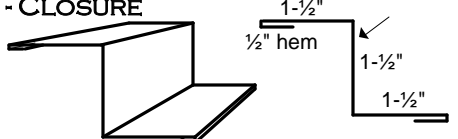
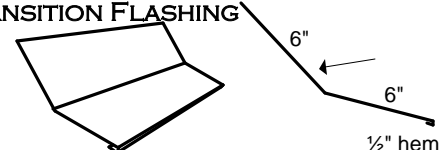
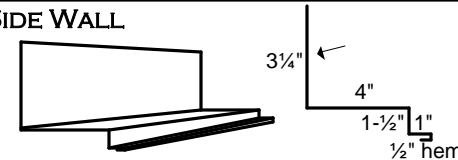
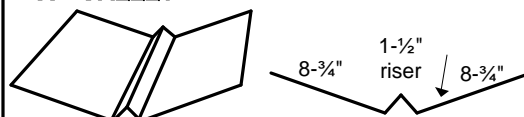

4. ALLOWABLE LOADS DO NOT INCLUDE A 1/3 STRESS INCREASE IN UPLIFT.

*MAC-LOC PANEL IS ALSO AVAILABLE IN 24 GA. PLEASE SEE A MAC METAL ASSOCIATE FOR DETAILS.



WWW.MACMETALSALES.COM

MAC-LOC 26GA TRIM

ITEM	DESCRIPTION			
	GENERAL	PRODUCT ID	LENGTH	WEIGHT
RIDGE CAP 	COVERS THE RIDGE OR HIP OF A ROOF AND IS USED IN CONJUNCTION WITH A Z - CLOSURE OR CAN BE VENTED USING A LOW PROFILE VENTED CLOSURE & CLIP.	SSRC	10'6"	16.6#
RESIDENTIAL RIDGE CAP 	COVERS THE RIDGE OR HIP OF A ROOF AND IS USED IN CONJUNCTION WITH A Z - CLOSURE OR CAN BE VENTED USING A LOW PROFILE VENTED CLOSURE & CLIP.	SSRR106	10'6"	11.3#
RAKE TRIM 	USED TO TRIM THE EDGE OF THE ROOFING PANEL AT THE GABLE END OF THE ROOF.	SSRAKE SSRAKE 12 SSRAKE 14 SSRAKE 16	10' 12' 14' 16'	7.67# 9.21# 10.8# 12.3#
DRIP EDGE 	PROTECTS THE EAVE EDGE OF A ROOF FROM SIPHONING WATER UNDER THE PANEL. ALSO PROVIDES A FINISHED APPEARANCE.	SSDE	10'	3.07#
Z - CLOSURE 	CLOSES THE GAP MADE BETWEEN THE PANEL AND A TRIM PIECE WHEN NOT USING VENTED CLOSURES. CAN BE USED UNDER RIDGE CAPS, HIP CAPS, OR SIDE WALLS.	SSZC	10'	4.60#
TRANSITION FLASHING 	PREVENTS LEAKAGE AT THE POINT OF A ROOF WHERE A HIGH PITCH MEETS A LOW PITCH. ALSO KNOWN AS ENDWALL OR LOWER GAMBREL.	SSTRANS	10'	9.98#
SIDE WALL 	USED WHERE THE UPWARD SLOPE OF A ROOF MEETS A WALL AND WHERE THE SIDE OF A ROOF BUMPS UP AGAINST AN ADJACENT WALL.	SSSW	10'	6.91#
W - VALLEY 	PREVENTS WATER FROM RUSHING UNDER THE PANELS WHILE DIVERTING THE WATER OFF THE ROOF.	SSWV	10'	16.5#
MAC-LOC LOW PROFILE VENTED CLOSURE WITH ADHESIVE 	FOR MAC-LOC PANEL UPPER PANEL FILLER CONTINUOUS ADHESIVE 1 3/4" TALL 25 PER BOX	SSLP	32"	5.50#

* per box

NOTE: OTHER LENGTHS AND SIZES AVAILABLE. PLEASE ASK AN ASSOCIATE FOR DETAILS. FOR THE MOST CURRENT INFORMATION VISIT OUR WEBSITE.



WWW.MACMETALSALES.COM

CONCEALED FASTENER TRIM

ITEM	DESCRIPTION			
	GENERAL	PRODUCT ID	LENGTH	WEIGHT
RIDGE CAP 	COVERS THE RIDGE OR HIP OF A ROOF AND IS USED IN CONJUNCTION WITH A Z - CLOSURE OR CAN BE VENTED USING A LOW PROFILE VENTED CLOSURE & CLIP.	CFRID106	10'6"	12.5#
RAKE TRIM 	USED TO TRIM THE EDGE OF THE ROOFING PANEL AT THE GABLE END OF THE ROOF.	CFRAKE10 CFRAKE12 CFRAKE14 CFRAKE16	10' 12' 14' 16'	6.00# 7.20# 8.40# 9.60#
RAKE CLEAT 	PROTECTS THE EAVE EDGE OF A ROOF FROM SIPHONING WATER UNDER THE PANEL. ALSO PROVIDES A FINISHED APPEARANCE.	CFRCLEAT10	10'	1.90#
CLEAT DRIP EDGE 	PROTECTS THE EAVE EDGE OF A ROOF FROM SIPHONING WATER UNDER THE PANEL. ALSO PROVIDES A FINISHED APPEARANCE. PROVIDES AN ANCHOR POINT FOR FOLDED MAC-LOC PANELS.	CFCDE10	10'	4.60#
MAC-LOC CLEAT 	PROVIDES AN ANCHOR POINT FOR FOLDED MAC-LOC PANELS.	CFCLEAT	10'	9.98#
Z - CLOSURE 	CLOSES THE GAP MADE BETWEEN THE PANEL AND A TRIM PIECE WHEN NOT USING VENTED CLOSURES. CAN BE USED UNDER RIDGE CAPS, HIP CAPS, OR SIDE WALLS.	CFZC10	10'	2.40#
TRANSITION FLASHING 	PREVENTS LEAKAGE AT THE POINT OF A ROOF WHERE A HIGH PITCH MEETS A LOW PITCH. ALSO KNOWN AS ENDWALL OR LOWER GAMBREL.	CFTRANS10	10'	8.10#
SIDE WALL 	USED WHERE THE UPWARD SLOPE OF A ROOF MEETS A WALL AND WHERE THE SIDE OF A ROOF BUMPS UP AGAINST AN ADJACENT WALL.	CFSWF10	10'	5.60#
W - VALLEY 	PREVENTS WATER FROM RUSHING UNDER THE PANELS WHILE DIVERTING THE WATER OFF THE ROOF.	CFWV10	10'	11.90#

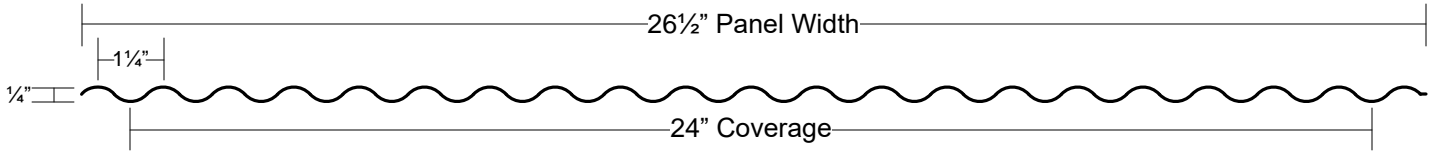
NOTE: OTHER LENGTHS AND SIZES AVAILABLE. PLEASE ASK AN ASSOCIATE FOR DETAILS. FOR THE MOST CURRENT INFORMATION VISIT OUR WEBSITE.



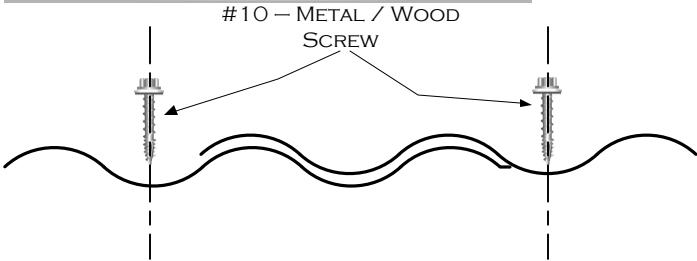
WWW.MACMETALSALES.COM

CORRUGATED PANEL 29GA

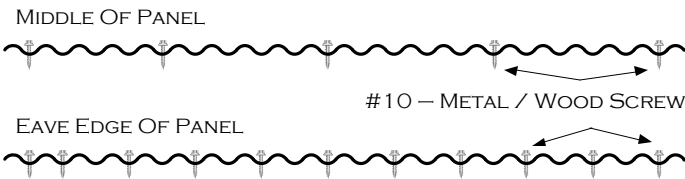
#2 NON WARRANTY GALVALUME | TECHNICAL SPECIFICATIONS



ATTACHMENT DETAIL



SCREW PATTERN



GENERAL INFORMATION

SLOPE

THE MINIMUM RECOMMENDED SLOPE FOR CORRUGATED PANELS IS 3:12. MAC METAL SALES RECOMMENDS THAT IN ROOF APPLICATIONS WITH A SLOPE OF 3:12 OR LESS, MASTIC TAPE BE USED ON ALL SIDE LAPS.

SUBSTRUCTURE

CORRUGATED PANELS ARE DESIGNED TO BE UTILIZED OVER OPEN STRUCTURAL FRAMING OR A SOLID SUBSTRATE.

COVERAGE

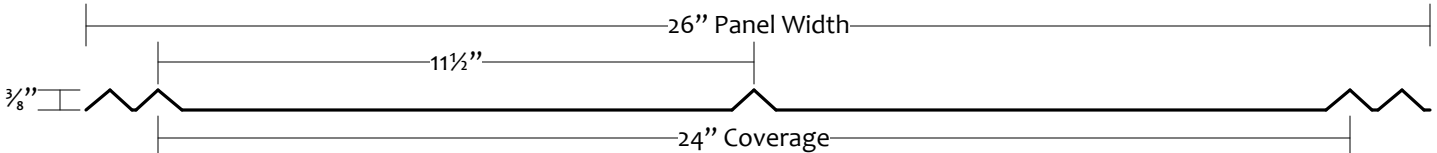
CORRUGATED PANELS ARE OFFERED IN A 1/4" RIB HEIGHT WITH A COVERAGE OF 24".

LENGTH

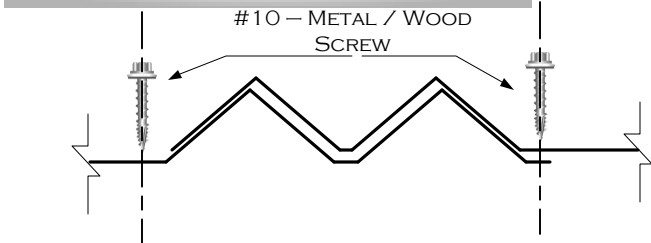
CORRUGATED PANELS COME IN 10'0" AND 12'0" LENGTHS.
*ALSO AVAILABLE IN CUSTOM LENGTHS

5-V PANEL 29GA

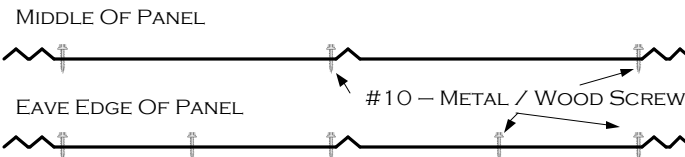
#2 NON WARRANTY GALVALUME | TECHNICAL SPECIFICATIONS



ATTACHMENT DETAIL



SCREW PATTERN



GENERAL INFORMATION

SLOPE

THE MINIMUM RECOMMENDED SLOPE FOR 5-V PANELS IS 3:12. MAC METAL SALES RECOMMENDS THAT IN ROOF APPLICATIONS WITH A SLOPE OF 3:12 OR LESS, MASTIC TAPE BE USED ON ALL SIDE LAPS.

SUBSTRUCTURE

5-V PANELS ARE DESIGNED TO BE UTILIZED OVER OPEN STRUCTURAL FRAMING OR A SOLID SUBSTRATE.

COVERAGE

5-V PANELS ARE OFFERED IN A 3/8" RIB HEIGHT WITH A COVERAGE OF 24".

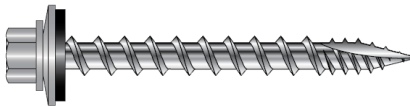

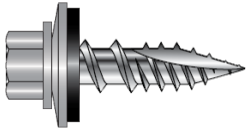
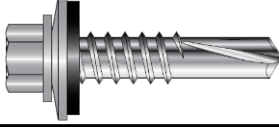
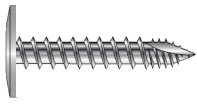

LENGTH

5-V PANELS COME IN 10'0" AND 12'0" LENGTHS.
*ALSO AVAILABLE IN CUSTOM LENGTHS



WWW.MACMETALSALES.COM

SCREWS & FASTENERS

ITEM	DESCRIPTION				
	GENERAL	Box COUNT	PRODUCT ID	LENGTH	WEIGHT
 <p>METAL/WOOD SELF-TAPPING SCREW</p>	PANEL TO WOOD	3000	WS1	1"	2.19#
	#10 DIAMETER	2500	WS15	1 1/2"	2.50#
	1/4" HEAD	2000	WS2	2"	3.13#
	250 PER BAG	1500	WS25	2 1/2"	3.75#
					* per bag
 <p>METAL/WOOD HOGG SCREW</p>	PANEL TO PANEL OR	2000	HOGGWS1	1"	3.25#
	#14 DIAMETER	1500	HOGGWS15	1 1/2"	4.43#
	5/16" HEAD	1500	HOGGWS2	2"	5.56#
	250 PER BAG				* per bag
*SPECIAL ORDER. FREIGHT CHARGES APPLY.					
 <p>METAL/WOOD STITCH SCREW</p>	PANEL TO PANEL OR	2500	WSS34	3/4"	2.50#
	PANEL TO WOOD				
 <p>METAL/METAL SELF-DRILLING SCREW</p>	PANEL TO METAL	2500	MMS14	1 1/4"	3.44#
	#12 DIAMETER				
 <p>PANCAKE SCREW</p>	PANEL TO WOOD	5000	PANSCR1	1"	1.75#
	PHILLIPS HEAD	2500	PANSCR15	1 1/2"	2.20#
* per bag					
 <p>POP RIVET</p>	METAL TO METAL	100	RIVET	N/A	0.31#
	STAINLESS STEEL				
* per bag					

SCREW USAGE

- SCREWS ARE THE BEST OPTION FOR PANEL AND TRIM INSTALLATION. PAINTED HEADS OFFER ADDED PROTECTION OVER BARE GALVANIZED. IF ATTACHING TO WOOD, A METAL TO WOOD SELF-TAPPING SCREW SHOULD BE USED. IF ATTACHING TO METAL, A METAL TO METAL SELF-DRILLING SCREW SHOULD BE USED.
- THE CORRECT SCREW GUN IS ALSO IMPORTANT TO THE PROPER INSTALLATION OF SELF-TAPPING OR SELF-DRILLING SCREWS. THE APPROPRIATE SPEED AND TORQUE SETTING WILL HELP PREVENT STRIP-OUT AND DAMAGE TO MATERIAL COATINGS.
- TYPICALLY, 80 SCREWS SHOULD BE USED PER SQUARE OF METAL FOR 36" WIDE PANELS AND 1 SCREW PER LINEAR FOOT FOR 16" PANELS.
- APPLY SUFFICIENT TORQUE TO SEAT THE WASHER WITHOUT OVERDRIVING THE FASTENER.
- MAKE SURE SCREW HEAD IS COMPLETELY ENGAGED IN THE SOCKET TO PREVENT WOBBLING. METAL SHAVINGS WILL BUILD UP FROM DRILLING AND SHOULD BE REMOVED, AS THIS CAUSES THE HEAD TO NOT GO DOWN ALL THE WAY IN THE SOCKET.
- PUSH ONLY HARD ENOUGH ON THE SCREW GUN TO ENGAGE CLUTCH. THIS WILL PREVENT EXCESS FRICTION AND BURN OUT OF THE DRILL POINT. CORRECT PRESSURE WILL ALLOW THE SCREW TO DRILL AND TAP WITHOUT BINDING.



CAUTION

BE SURE TO REMOVE ALL SCREW SHAVINGS FROM ROOF AT THE END OF EACH WORK INTERVAL AS THIS WILL CAUSE RUST AND VOID ANY WARRANTIES.

NOTE: OTHER LENGTHS AND SIZES AVAILABLE. PLEASE ASK AN ASSOCIATE FOR DETAILS. FOR THE MOST CURRENT INFORMATION VISIT OUR WEBSITE.

MAC

WWW.MACMETALSALES.COM

INSULATION & ACCESSORIES

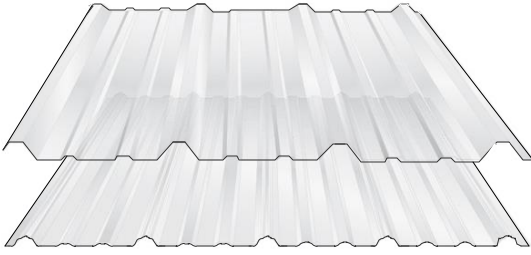
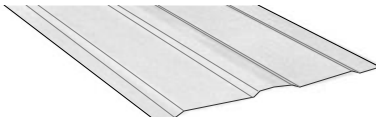
ITEM	DESCRIPTION			
	GENERAL	PRODUCT ID	LENGTH	WEIGHT
BUBBLE INSULATION	FOIL / WHITE			
	FOIL / WHITE 6' AND 4' WIDE ROLLS 3/16" THICK R12 INSULATING FACTOR*	FOIL-6125 FOIL663 FOIL4125	125' 63' 125'	26.0# 13.0# 17.5#
FIBERGLASS INSULATION	2 IN.			
	REINFORCED WHITE VINYL 6' WIDE ROLL 6" OVER LAP TAB R6 INSULATING FACTOR*	2INSR10	100'	92.0#
	3 IN.			
	REINFORCED WHITE VINYL 6' WIDE ROLL 6" OVER LAP TAB R10 INSULATING FACTOR*	3INSR10	100'	122#
WHITE REINFORCED METALIZED TAPE				
	INSULATION SEAM TAPE REINFORCED STRANDS 3" WIDE 16 PER BOX	WMTAPE	150'	1.69#
FOIL INSULATION SEAM TAPE				
	INSULATION SEAM TAPE 2" WIDE 24 PER BOX	FOILTAPE	150'	1.18#
DOUBLE FACE TAPE				
	MULTI - PURPOSE 2" WIDE 24 PER BOX	DFTAPE	75'	.50#

*INSULATING VALUES ARE BASED ON ROOF APPLICATIONS. OTHER VARIABLES CAN ALSO EFFECT THE INSULATING VALUE.
NOTE: OTHER LENGTHS AND SIZES AVAILABLE. PLEASE ASK AN ASSOCIATE FOR DETAILS. FOR THE MOST CURRENT INFORMATION VISIT OUR WEBSITE.






WWW.MACMETALSALES.COM

SKY LIGHT

ITEM	DESCRIPTION			
	GENERAL	PRODUCT ID	LENGTH	WEIGHT
POLYCARBONATE SKYLIGHT 	MAC-RIB PROFILE			
	CLEAR OR WHITE*	SKYC10	10'	6.00#
	100% POLYCARBONATE	SKYC12	12'	7.20#
	HAIL AND WIND RESISTANT	SKYC16	16'	9.60#
	FOR ROOF OR WALLS	SKYW10	10'	6.00#
	36" WIDE	SKYW12	12'	7.20#
	HI-RIB PROFILE			
	CLEAR OR WHITE*	HRSKYC12 HRSKYW12	12'	6.70#
100% POLYCARBONATE	12'		6.70#	
POLYCARBONATE RIDGE LIGHT 	CLEAR	RIDLIGHT	10'-6"	5.25#
	VIRTUALLY UNBREAKABLE			
	HAIL AND WIND RESISTANT			
	FOR USE ON RIDGE LINE			
	24" WIDE			

NOTE: OTHER LENGTHS AND SIZES MAY BE AVAILABLE. PLEASE ASK AN ASSOCIATE FOR DETAILS. FOR THE MOST CURRENT INFORMATION VISIT OUR WEBSITE.

CUPOLAS & ACCESSORIES

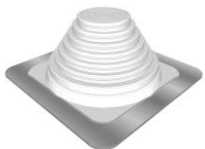
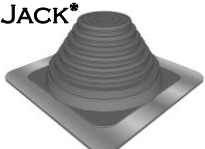
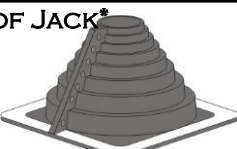
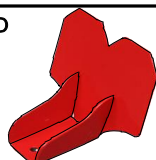
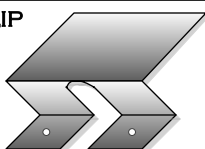
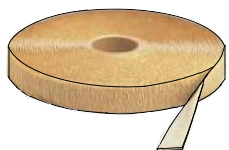



ITEM	DESCRIPTION			
	GENERAL	PRODUCT ID	SIZE	WEIGHT
CUPOLA WITH LOUVERS 	29GA. STEEL CONSTRUCTION HEMMED METAL EDGES WEATHERVANE INCLUDED ADJUSTABLE BASE 1/12 TO 6/12 PITCH MOUNTS ON TOP OF PANELS OR PURLINS HARDWARE INCLUDED EASY INSTALLATION & SET-UP PLEASE CALL FOR AVAILABLE COLORS <small>*NOT A STOCK ITEM</small>	CUP2X2M	2' x 2'	45.0#
		CUP3X3M	3' x 3'	104#
		CUP4X4M	4' x 4'	152#
CUPOLA WITH WINDOWS 	29GA. STEEL CONSTRUCTION PLEXIGLASS WINDOWS HEMMED METAL EDGES WEATHERVANE INCLUDED ADJUSTABLE BASE 1/12 TO 6/12 PITCH MOUNTS ON TOP OF PANELS OR PURLINS HARDWARE INCLUDED EASY INSTALLATION & SET-UP PLEASE CALL FOR AVAILABLE COLORS <small>*NOT A STOCK ITEM</small>	CUPW2X2M	2' x 2'	55.0#
		CUPW3X3M	3' x 3'	116#
		CUPW4X4M	4' x 4'	179#
WEATHERVANE 	CAST ALUMINUM BLACK FINISH COMPASS INCLUDED PLEASE CALL FOR AVAILABLE STYLES	WVSMALL	24"	5.00#
		WVLARGE	30"	6.50#
		<small>*NOT A STOCK ITEM</small>	46"	11.0#

CUSTOM CUPOLAS ARE AVAILABLE.
SEE SALESPERSON FOR DETAILS,
PRICING, AND COLOR OPTIONS.



WWW.MACMETALSALES.COM

ACCESSORIES









ITEM	DESCRIPTION				
	GENERAL	BOX COUNT	PRODUCT ID	LENGTH	WEIGHT
ROOF JACK* 	EPDM COMPOUND 1/4"-26" PIPE DIAMETER TRIM TO SUIT OPENING FLEXIBLE ALUMINUM BASE - 65°F TO 275°F RATING	15 PER BOX 10 PER BOX 5 PER BOX 5 PER BOX 1 PER BOX	RUB3 RUB5 RUB8 RUB9 RUB10	1/4" - 4" 4" - 7" 7" - 13" 10" - 18" 13" - 26"	0.50# 0.95# 2.56# 3.86# 5.12#
HI - TEMP ROOF JACK* 	SILICONE COMPOUND 1/4"-26" PIPE DIAMETER TRIM TO SUIT OPENING FLEXIBLE ALUMINUM BASE -100°F TO 500°F RATING	15 PER BOX 10 PER BOX 5 PER BOX	RUB3HT RUB5HT RUB8HT	1/4" - 4" 4" - 7" 7" - 13"	0.50# 0.95# 2.56#
RETRO - FIT ROOF JACK* 	USED FOR A WEATHER HEAD 1/4"-9" PIPE DIAMETER TRIM TO SUIT OPENING FLEXIBLE ALUMINUM BASE - 65°F TO 275°F RATING	5 PER BOX 5 PER BOX	RUB101 RUB201	1/4" - 4" 4" - 9 1/4"	0.50# 1.60#
SNOW GUARD 	16 GAUGE 304 STAINLESS STEEL EPDM RUBBER SEAL NO SILICONE NEEDED <small>*COLOR MATCHED FINISH AVAILABLE</small>	50 PER BOX	SNOWGRD	N/A	0.30#
MAC-LOC CLIP 	USED WITH MAC-LOC LOW PROFILE VENTED CLOSURES TO ATTACH TRIM PIECES AND SEAL THE ROOF SYSTEM.	100 PER BOX	SSCLIP	3"	0.20#
MASTIC TAPE 	3/8" FOR MAC-RIB PANEL	16 PER BOX	MASTIC38	45'	1.03#
	3/4" FOR HI-RIB PANEL	16 PER BOX	MASTIC34	45'	2.14#
METAL ROOFING SEALANT 	ADVANCED POLYMER MATCHES PANEL COLOR INDOOR / OUTDOOR 10.1 FL. OZ.	12 PER BOX	MRS	N/A	1.10#
CLEAR SILICONE 	100% SILICONE INDOOR / OUTDOOR 10.1 FL. OZ.	12 PER BOX	SILICONE	N/A	1.10#
SPRAY PAINT 	AIR DRY FORMULA 9 OZ. CANS	12 PER BOX	PAINTSPR	N/A	0.89#

* OTHER SIZES ARE AVAILABLE. PLEASE ASK AN ASSOCIATE FOR DETAILS. FOR THE MOST CURRENT INFORMATION VISIT OUR WEBSITE.



WWW.MACMETALSALES.COM

CLOSURES FITTED & UNIVERSAL

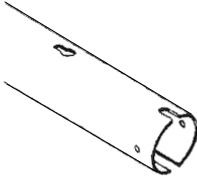
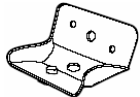




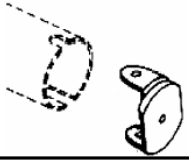
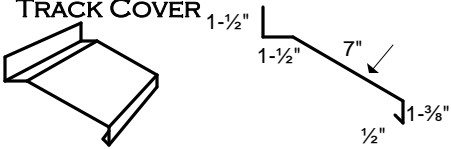
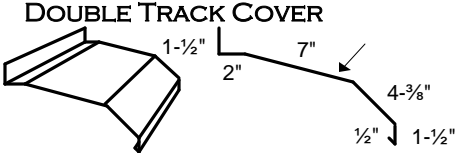
ITEM	DESCRIPTION			
	GENERAL	PRODUCT ID	LENGTH	WEIGHT
MAC-RIB OUTSIDE CLOSURE WITH ADHESIVE 	FOR MAC-RIB PANEL UPPER PANEL FILLER CONTINUOUS ADHESIVE 1" TALL 100 PER BOX	MROCG	3'	6.00# <small>* per box</small>
MAC-RIB INSIDE CLOSURE 	FOR MAC-RIB PANEL LOWER PANEL FILLER 3/4" TALL 100 PER BOX	MRIC	3'	3.00# <small>* per box</small>
MAC-RIB LOW PROFILE VENTED CLOSURE WITH ADHESIVE 	FOR MAC-RIB PANEL UPPER PANEL FILLER CONTINUOUS ADHESIVE 1 1/4" TALL 25 PER BOX	MRLP	3'	5.50# <small>* per box</small>
HI-RIB OUTSIDE CLOSURE WITH ADHESIVE 	FOR HI-RIB PANEL UPPER PANEL FILLER CONTINUOUS ADHESIVE 1 1/2" TALL 100 PER BOX	HROCG	3'	6.50# <small>* per box</small>
HI-RIB INSIDE CLOSURE 	FOR HI-RIB PANEL LOWER PANEL FILLER 1 1/4" TALL 100 PER BOX	HRIC	3'	3.50# <small>* per box</small>
HI-RIB LOW PROFILE VENTED CLOSURE WITH ADHESIVE 	FOR HI-RIB PANEL UPPER PANEL FILLER CONTINUOUS ADHESIVE 1 1/2" TALL 25 PER BOX	HRLP	3'	6.00# <small>* per box</small>
MAC-LOC LOW PROFILE VENTED CLOSURE WITH ADHESIVE 	FOR MAC-LOC PANEL UPPER PANEL FILLER CONTINUOUS ADHESIVE 1 3/4" TALL 25 PER BOX	SSLP	32"	5.50# <small>* per box</small>
UNI-SEAL WITH ADHESIVE 	UNIVERSAL FOAM CLOSURE CONTINUOUS ADHESIVE 1" X 1" UV STABLE	UNISEAL	20'	.450#

NOTE: PLEASE ASK AN ASSOCIATE FOR DETAILS. FOR THE MOST CURRENT INFORMATION VISIT OUR WEBSITE.



WWW.MACMETALSALES.COM

SLIDING DOOR TRACK & ACCESSORIES

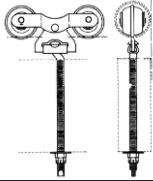
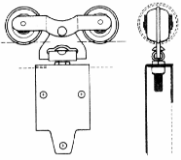

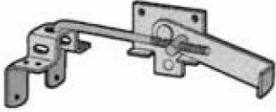

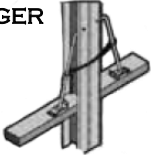
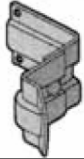


ITEM	DESCRIPTION				
	GENERAL	BOX COUNT	PRODUCT ID	LENGTH	WEIGHT
DOOR TRACK 	14GA. HIGH CARBON STEEL 2-7/8" DIAMETER 7/16" SLOT KEYHOLE MOUNTING	N/A	DT10 DT12 DT14 DT16 DT20	10' 12' 14' 16' 20'	20.0# 24.0# 28.0# 32.0# 40.0#
DOOR TRACK BRACKET 	MOUNTS A SINGLE RUN OF TRACK W/OUT A COVER 2' SPACING. ATTACHES WITH LAG BOLTS	150	DTB	N/A	0.20#
FACE MOUNT BRACKET 	MOUNTS A SINGLE RUN OF TRACK WITH COVER 2' SPACING. ATTACHES WITH LAG BOLTS	65	FMB	N/A	0.40#
TOP MOUNT BRACKET 	MOUNTS ON TOP OF TRACK BOARD OR ON OUTER TRACK FOR DOUBLE TRACK SYSTEM, TO HOLD TRACK COVER ON	55	TPMTBRK	N/A	0.30#
SINGLE UNIVERSAL BRACKET 	MOUNTS A SINGLE RUN OF TRACK W/OUT COVER ATTACHES WITH LAG BOLTS	24	DTBSU	N/A	0.90#
DOUBLE TRACK BRACKET 	MOUNTS TWO PARALLEL RUNS OF TRACK. IF USING COVER APPLY TOP MOUNT BRACKET ATTACHES WITH LAG BOLTS	12	DBLTRKB	N/A	3.00#
TRACK END CAP 	CAPS THE END OF THE TRACK TWO NEEDED PER TRACK RUN	20	ENDCAP	N/A	0.30#
TRACK COVER 	USED TO COVER SLIDING DOOR AND TRACK SYSTEMS. ATTACHES WITH A FACE MOUNT BRACKET.		TC	10'	6.97#
DOUBLE TRACK COVER 	USED TO COVER SLIDING DOUBLE DOOR AND TRACK SYSTEMS. ATTACHES WITH A TOP MOUNT BRACKET ON THE OUTER TRACK.		DTC10	10'	9.91#

NOTE: PLEASE ASK AN ASSOCIATE FOR DETAILS. FOR THE MOST CURRENT INFORMATION VISIT OUR WEBSITE.



WWW.MACMETALSALES.COM

SLIDING DOOR TRACK & ACCESSORIES

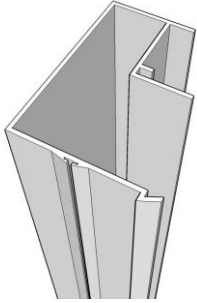
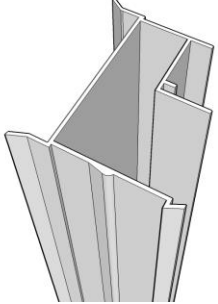
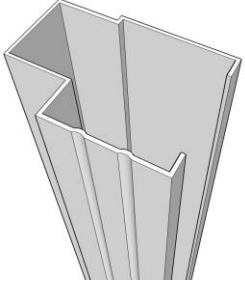
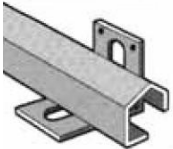

ITEM	DESCRIPTION				
	GENERAL	Box Count	PRODUCT ID	LENGTH	WEIGHT
TROLLEY 	9-1/2" ADJUSTABLE BOLT HOLDS 450 LBS PER PAIR LOW FRICTION DELRIN ROLLERS 1 PAIR PER BAG	50	TROLLEY	N/A	4.50# * per pair
TROLLEY W/BACKET 	ZINC-PLATED DOOR STRAPS HOLDS 450 LBS PER PAIR INCLUDES TWO END CAPS LOW FRICTION DELRIN ROLLERS	2	TROLLEYB	N/A	6.10# * per pair
DOOR HANDLE 	WHITE ENAMEL FINISH 1 1/4" x 6 5/8"	60	DHANDLE	6-5/8"	0.50#
7" ADJUSTABLE JAMB LATCH 	HEAVY DUTY BASE PLATE FOUR MOUNTING HOLES ADJUSTABLE BOLT RIGHT OR LEFT APPLICATION	16	JLATC	7"	1.00#
GATE, STALL LATCH 	REVERSIBLE FOR EITHER HAND 1/2" x 10" STEEL BOLT CAN BE PADLOCKED	20	GLATCH	N/A	1.70#
CENTER DOOR SNUGGER 	HELPS ELIMINATE DOOR RATTLE CAN BE USED WITH METAL OR WOOD FRAMES.	16	CENTSNUG	N/A	2.00#
DOOR STOP 	10GA. ZINC-PLATED STEEL WHITE VINYL-COATED RECESSED BOLT HEAD ADJUSTABLE FROM 2 3/4"-4 1/4"	18	DSTOP	N/A	1.20#
ADJUSTABLE STAY ROLLER 	8GA. ZINC PLATED STEEL THREE WAY ADJUSTABLE 2" BLACK ROLLER	12	STAYROLL	N/A	1.90#
SPLICE COLLAR 	CONNECTS ONE OR MORE TRACK END TO END ATTACHES TO KEYHOLE ON TRACK	50	SPCOLLAR	N/A	0.60#

NOTE: PLEASE ASK AN ASSOCIATE FOR DETAILS. FOR THE MOST CURRENT INFORMATION VISIT OUR WEBSITE.

MAC

WWW.MACMETALSALES.COM

SLIDING DOOR FRAMES

ITEM	DESCRIPTION			
	GENERAL	PRODUCT ID	LENGTH	WEIGHT
SIDE RAIL 	FRAMES THE SIDES OF SINGLE DOORS 14GA. ALUMINUM WHITE ENAMEL FINISH SLOTTED FOR 2X GIRTS & TOP RAIL RECEIVES MAC-RIB PANELS 10 PER BOX	SR10 SR12 SR14 SR16	10' 12' 14' 16'	7.60# 9.12# 10.7# 12.2#
H-RAIL 	USED FOR SPLIT DOORS 14GA. ALUMINUM WHITE ENAMEL FINISH SLOTTED FOR 2X GIRTS & TOP RAIL RECEIVES MAC-RIB PANELS COUPLES THE SIDE RAIL & CREATES A TIGHT SEAL 5 PER BOX	HR8 HR10 HR12 HR14 HR16	8' 10' 12' 14' 16'	7.44# 9.30# 11.2# 13.1# 14.9#
BOTTOM RAIL 	USED AS THE BOTTOM FRAME OF DOOR 14GA. ALUMINUM WHITE ENAMEL FINISH SLOTTED TO RECEIVE SIDE RAIL LEDGE TO SUPPORT MAC-RIB PANELS CAN BE USED WITH GUIDE RAIL OR STAY ROLLER 5 PER BOX	BR8 BR10 BR12 BR14 BR16	8' 10' 12' 14' 16'	8.00# 10.0# 12.0# 14.0# 16.0#
GUIDE RAIL 	CONTINUOUS GUIDE SYSTEM INCLUDES FASTENERS & BRACKETS CAN BE SPLICED END TO END USED IN CONJUNCTION WITH BOTTOM RAIL	GRHRDWR	6'	11.0#
CROSS BUCKS 	29GA. PAINTED STEEL 2 1/2" WIDE HEMMED ON EACH SIDE EASY INSTALLATION COLOR MATCHED	DF10 DF12 DF14 DF16	10' 12' 14' 16'	2.06# 2.48# 2.89# 3.30#

NOTE: PLEASE ASK AN ASSOCIATE FOR DETAILS. FOR THE MOST CURRENT INFORMATION VISIT OUR WEBSITE.



WWW.MACMETALSALES.COM

DOORS & ACCESSORIES

ITEM	DESCRIPTION			
	GENERAL	DIMENSIONS*	PRODUCT ID	WEIGHT
STEEL DOOR		3'		
	<ul style="list-style-type: none"> - 16GA. PAINTED STEEL FRAME - 26GA. SMOOTH STEEL SKIN - 1-5/8" INSULATED ROLLED-EDGE PANEL - R-VALUE OF 12+ - PRE-HUNG 4-WAY UNIVERSAL SWING - 4" X 4" STAINLESS STEEL HINGES - 2-3/4" BACKSET FOR STANDARD LOCKSET - ADJUSTABLE STRIKE PLATE - NON-COLLAPSIBLE NYLON LOCKSET INSERT 	38" x 81 3/16"	3STEEL	85.0#
		4'		
	<ul style="list-style-type: none"> - MILLED ALUMINUM FRAME - TEXTURED STEEL SKIN - 1-5/8" INSULATED PANEL - RIGHT OR LEFT, IN OR OUT SWING - 4" X 4" STAINLESS STEEL HINGES - 2-3/4" BACKSET FOR STANDARD LOCKSET - 3-1/2" UNIVERSAL PRE-HUNG JAMB - UNIVERSAL HEADER AND THRESHOLD - ADJUSTABLE STRIKE PLATE - NON-COLLAPSIBLE NYLON LOCKSET INSERT 	37 9/16" x 81 3/16"	3ALUM	53.0#
		4'	49 7/8" x 82"	4ALUM
STEEL DOOR WITH WINDOW		3'		
	<ul style="list-style-type: none"> - 16GA. PAINTED STEEL FRAME - 24GA. SMOOTH STEEL SKIN - 20"x24" WINDOW - 1-3/4" INSULATED ROLLED-EDGE PANEL - IN OR OUT SWING - 4" X 4" STAINLESS STEEL HINGES - 2-3/4" BACKSET FOR STANDARD LOCKSET - 3-1/2" UNIVERSAL PRE-HUNG JAMB - ADJUSTABLE STRIKE PLATE - NON-COLLAPSIBLE NYLON LOCKSET INSERT 	38" x 81 3/16"	3STEELW	110#
STEEL DOOR W/9-LITE WINDOW		3'		
	<ul style="list-style-type: none"> - 16GA. PAINTED STEEL FRAME - 24GA. SMOOTH STEEL SKIN - 9-LITE PANEL - 1-3/4" INSULATED ROLLED-EDGE PANEL - IN OR OUT SWING - 4" X 4" STAINLESS STEEL HINGES - 2-3/4" BACKSET FOR STANDARD LOCKSET - 3-1/2" UNIVERSAL PRE-HUNG JAMB - ADJUSTABLE STRIKE PLATE - NON-COLLAPSIBLE NYLON LOCKSET INSERT 	38" x 81 3/16"	3STEEL9	110#
LOCKSET 	<ul style="list-style-type: none"> - BRUSHED NICKEL FINISH - STAINLESS CONSTRUCTION - FOR DOORS 1-3/8" TO 1-3/4" - 2-3/4" AND 2-3/8" BACKSETS - KEYS INCLUDED 	N/A	LS	1.22#

* DIMENSIONS ARE ROUGH OPENINGS. DOOR SERIES SUBJECT TO CHANGE WITHOUT NOTICE. PLEASE ASK AN ASSOCIATE FOR DETAILS. FOR THE MOST CURRENT INFORMATION VISIT OUR WEBSITE.

MAC

WWW.MACMETALSALES.COM

TOOLS & ACCESSORIES

ITEM	DESCRIPTION			
	GENERAL	BOX COUNT	PART NUMBER	WEIGHT
 <p>TURBO SHEAR HD</p>	HEAVY DUTY SHEAR FITS CORDLESS AND CORDED DRILLS 18GA. RATING ADJUSTABLE BLADE & ALUMINUM ARMS 6 PER BOX	6	TSHD	2.62#
 <p>TURBO SHEAR REPLACEMENT BLADES</p>	REPLACEMENT BLADE SET GREASE PACK & ALLEN WRENCH INCLUDED	6	TSHDRB	.450#
 <p>ANDY SNIPS</p>	CARBON STEEL BLADES ALUMINUM FRAME CUTS RADIUS LEFT OR RIGHT CUT	3	SNIP-ANDY	1.25#
 <p>ANDY SNIPS REPLACEMENT BLADES</p>	REPLACEMENT BLADES FOR ANDY SNIPS	6	SNIP-ANDYB	0.20#
 <p>MALCO MAX 2006 SNIPS</p>	RED HANDLE LEFT CUT OFFSET WITH LOCK 6 PER BOX	6	SNIP-RED	1.00#
 <p>MALCO MAX 2007 SNIPS</p>	GREEN HANDLE RIGHT CUT OFFSET WITH LOCK 6 PER BOX	6	SNIP-GREEN	1.00#
 <p>MALCO CLASSIC GRIP</p>	YELLOW & BLACK HANDLE MULTI DIRECTIONAL CUT WITH LOCK 6 PER BOX	6	SNIP-YELLO	.875#
 <p>MALCO DRIP EDGE FOLDING TOOL</p>	18 INCH SEAM FOLDING TOOL USE WITH STANDING SEAM PANELS TWO FOLDING SEAMS (1" & 1 1/2") 1"-folding edges-1 1/2"	N/A	FOLDER	3.7#
 <p>RATCHET STRAP</p>	2" x 27' RATCHET ASSEMBLY FLAT HOOKS 10,000 LB. BREAK STRENGTH 3,000 LB. WORKING LOAD LIMIT	12	RATCHET	5.42#
 <p>SLING STRAP</p>	4" x 10' DOUBLE PLY EYE SLING GREAT FOR HANDLING LONG PANELS 20,000 LB. BREAK STRENGTH 5,400 LB. WORKING LOAD LIMIT	2	SLING	10.0# * per pair
 <p>1/4" & 5/16" PREMIUM NUT SETTER</p>	MAGNETIC HEX HEAD 1 5/8" LONG 100 PER CONTAINER	100	HEX14 HEX516	.038# .044#
 <p>1/8" DRILL BIT</p>	HIGH SPEED STEEL 2 3/4" LONG 12 PER PACKAGE	12	DRILL	.007#

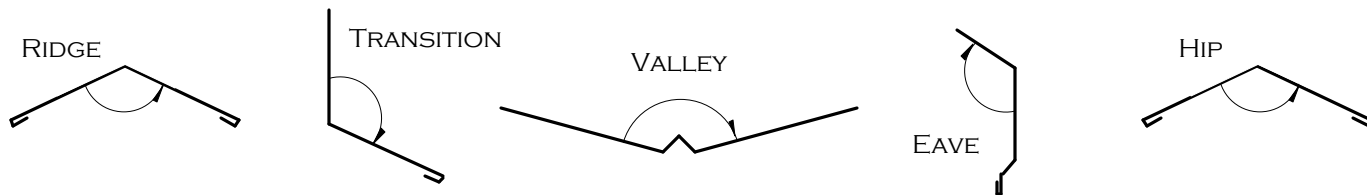
NOTE: PLEASE ASK AN ASSOCIATE FOR DETAILS. FOR THE MOST CURRENT INFORMATION VISIT OUR WEBSITE.



WWW.MACMETALSALES.COM

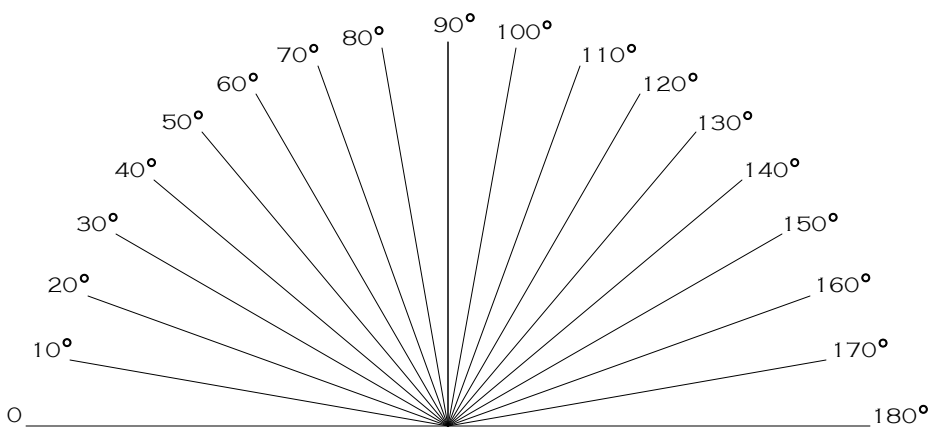
ANGLE CALCULATOR

APPLICATION

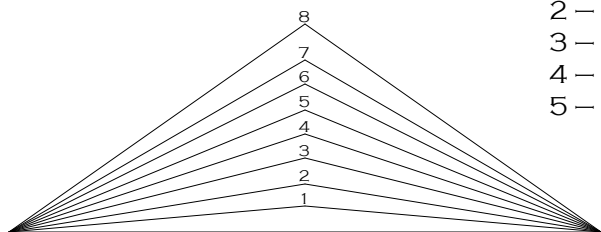


ROOF SLOPE

	1:12	2:12	3:12	4:12	5:12	6:12	7:12	8:12	9:12	10:12	11:12	12:12
HIP & VALLEY	173°	166°	160°	154°	148°	143°	138°	133°	129°	126°	123°	120°
RIDGE	170°	161°	152°	143°	135°	127°	120°	113°	106°	100°	95°	90°
EAVE & TRANSITION	94°	99°	104°	108°	112°	116°	120°	123°	126°	129°	132°	135°

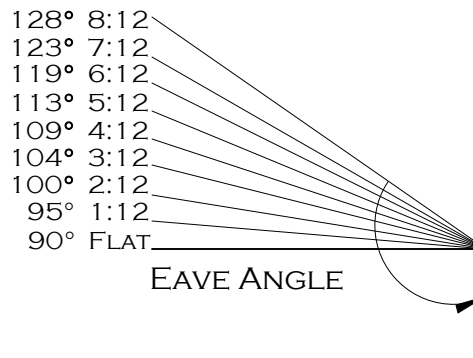


- 1 – DIMENSION EACH SEGMENT
- 2 – LABEL DEGREES OF EACH ANGLE
- 3 – USE DEGREES ON THE INSIDE OF THE ANGLE FROM LINE
- 4 – INDICATE PAINTED SIDE WITH AN ARROW
- 5 – COST IS CALCULATED BY TOTAL GIRTH



RIDGE ANGLE

- 1:12 – 170°
- 2:12 – 161°
- 3:12 – 152°
- 4:12 – 143°
- 5:12 – 135°
- 6:12 – 127°
- 7:12 – 120°
- 8:12 – 113°



EAVE ANGLE

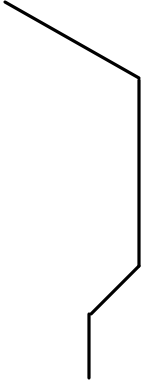
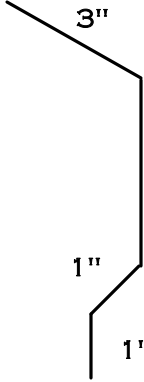

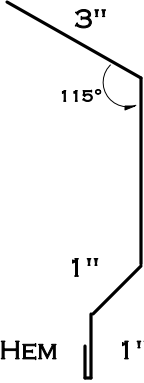
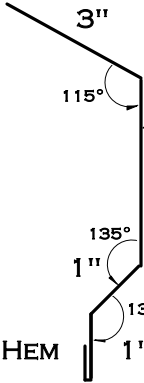

NOTE: PLEASE ASK AN ASSOCIATE FOR DETAILS. FOR THE MOST CURRENT INFORMATION VISIT OUR WEBSITE.



WWW.MACMETALSALES.COM

SPECIAL TRIM

HOW TO ORDER SPECIAL TRIM

		
<p>DRAW EACH SEGMENT AS ACCURATELY AS POSSIBLE TO THE ACTUAL DIMENSIONS AND ANGLES.</p>	<p>LABEL <u>ALL</u> SEGMENTS WITH THE DESIRED LENGTH IN INCHES.</p>	<p>INDICATE ANY HEMS THAT MAY BE NEEDED WITH THE SIZE OF THE HEM DESIRED.</p>
		<p>29GA. 13 - GREEN - 14'-0"</p> 
<p>LABEL <u>ALL</u> ANGLES AND USE DEGREES ON THE INSIDE OF THE ANGLE FROM THE LINE.</p>	<p>INDICATE THE PAINTED OR FINISHED SIDE WITH AN ARROW.</p>	<p>SPECIFY THE GAUGE, HOW MANY NEEDED AND THE COLOR OR FINISH ALONG WITH THE LENGTH.</p>

CALCULATION AND PRICING

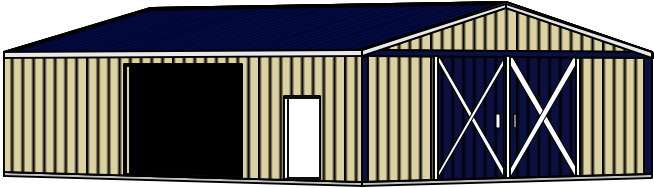
- PRICE IS BASED ON THE TOTAL GIRTH OF THE TRIM BEFORE ANY BENDS.
- ALL TRIM IS ROUNDED TO THE NEAREST EVEN INCH STARTING AT 4" AND UP TO 44" DEPENDING ON THE GAUGE.
- SPECIAL TRIM IS PRICED BY MULTIPLYING THE GIRTH (IN INCHES) X THE PRICE PER INCH X THE LENGTH (IN FEET).
 EXAMPLE: 4" x \$0.10 (INCH) x 10' = \$4.00 PER PIECE
 12" x \$0.10 (INCH) x 14' = \$16.80 PER PIECE
- INVOICES WILL BE ITEMIZED IN 10' SECTIONS.
 EXAMPLE: 1 - 14' WILL BE SHOWN AS 1.4 SPECIAL TRIM
 4 - 12' WILL BE SHOWN AS 4.8 SPECIAL TRIM
- AVAILABLE IN 10', 12', 14', 16', 18' LENGTHS.
- 29 AND 26 GAUGE AVAILABLE.

NOTE: PRICE PER INCH IS FOR REPRESENTATION ONLY AND IS NOT A TO BE USED AS A SALE PRICE. OTHER SIZES MAY BE AVAILABLE. CERTAIN COLORS MAY BE LIMITED IN WIDTH. PLEASE ASK AN ASSOCIATE FOR DETAILS. FOR THE MOST CURRENT INFORMATION VISIT OUR WEBSITE.



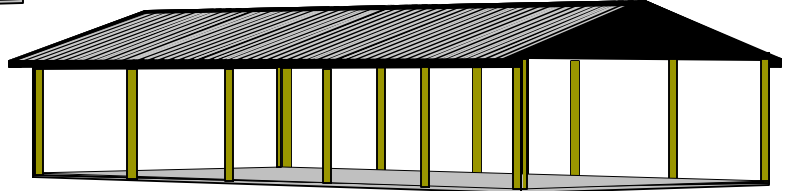
WWW.MACMETALSALES.COM

BUILDING PACKAGES



Garage/Storage building

Picnic Shelter

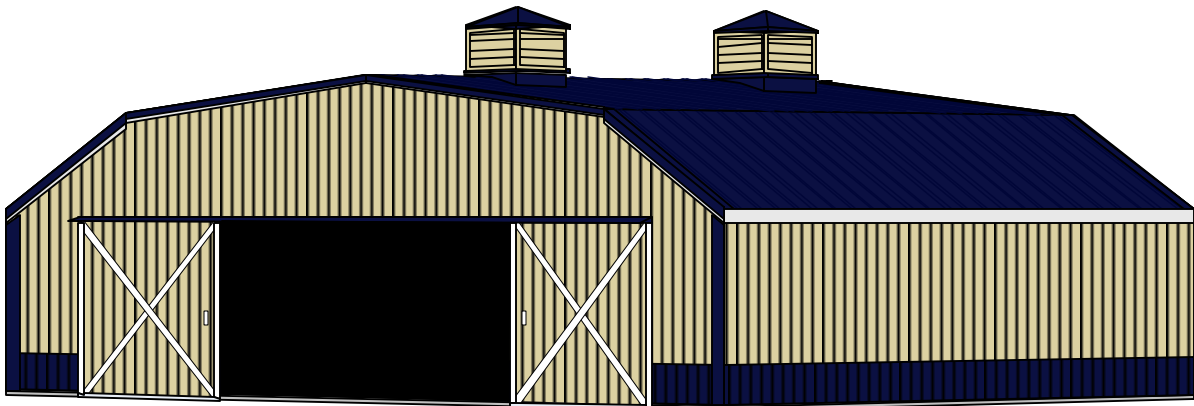


DESIGN THE PERFECT BUILDING TO MEET YOUR NEEDS.

FROM THE SMALLEST STORAGE SHED TO GARAGES AND SHOW-QUALITY HORSE BARNES, THE ONLY LIMIT TO WHAT WE CAN DESIGN IS YOUR IMAGINATION.

LET US SAVE YOU TIME, MONEY, AND STRESS.

CALL OR COME IN FOR A QUOTE TODAY!



Multi-purpose Barn

NOTE: PLEASE ASK AN ASSOCIATE FOR DETAILS. FOR THE MOST CURRENT INFORMATION VISIT OUR WEBSITE.

MAC

WWW.MACMETALSALES.COM

MAC METAL ORDER FORM

COMPANY NAME:

P.O. / JOB NAME:

DATE:

PANEL TYPE			PANEL GRADE	
MAC-RIB	HI-RIB	MAC-LOC	#1	10 YEAR

PANEL DESCRIPTION				TRIM, SCREWS & ACCESSORIES				
-------------------	--	--	--	----------------------------	--	--	--	--

QTY	COLOR	LENGTH		QTY	COLOR	ITEM	QTY	COLOR	ITEM
		FT.	IN.						
						RIDGE CAP 10'-6"			1 1/2" DOOR POST/FACIA TRIM
						MINI CORNER 10'			3 1/2" DOOR POST/FACIA TRIM
						MINI CORNER 12'			5 1/2" DOOR POST/FACIA TRIM
						MINI CORNER 14'			7 1/4" DOOR POST/FACIA TRIM
						MINI CORNER 16'			TRANSITION 10'
						MINI CORNER 18'			GAMBREL 10'
						CORNER 10'			SIDE WALL 10'
						CORNER 12'			OVERHEAD DOOR TRIM 10'
						CORNER 14'			TRACK COVER 10'
						CORNER 16'			WOOD SCREW 1"
						CORNER 18'			WOOD SCREW 1 1/2"
						GABLE TRIM 10'			WOOD SCREW 2"
						DRIP EDGE 10'			METAL/METAL SCREW 1 1/4"
						BASE ANGLE 10'			STITCH SCREW 3/4"
						RAT GUARD 10'			FOIL/WHITE INSULATION 6x125
						Z - BAR 10'			OUTSIDE CLOSURE
						J - CHANNEL 10'			LOW PROFILE VENTED CLOSURE
						JEFF CHANNEL FOR METAL OR SOFFIT			UNISEAL
						W - VALLEY 10'			MASTIC 3/8" OR 3/4"

SPECIAL TRIM									



WWW.MACMETALSALES.COM



A NOTE TO OUR VALUED CUSTOMERS:

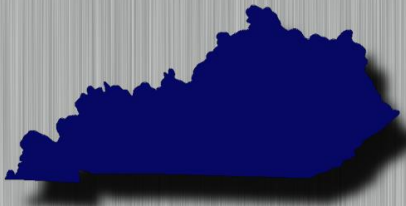
THANK YOU FOR CONSIDERING MAC METAL SALES INC. FOR ALL YOUR METAL ROOFING AND BUILDING MATERIALS NEEDS. WE TAKE GREAT PRIDE IN OUR BUSINESS AND THE QUALITY PRODUCT THAT WE PRODUCE EACH AND EVERY DAY. FAMILY OWNED AND OPERATED SINCE 1989, WE ARE COMMITTED TO HELPING YOU GROW YOUR BUSINESS.

IT IS OUR COMPANY'S MISSION TO PROVIDE YOU, THE CUSTOMER, WITH THE HIGHEST QUALITY PRODUCT AVAILABLE, AT THE MOST COMPETITIVE PRICES, DELIVERED WITH PROFESSIONAL SERVICE THAT IS SECOND TO NONE. IF YOU EVER FEEL AS THOUGH WE HAVE FALLEN SHORT IN ANY OF THESE CORE CONCEPTS, PLEASE DON'T HESITATE TO BRING THAT TO OUR ATTENTION.

IN ORDER TO MAKE YOUR BUYING EXPERIENCE AS SMOOTH AS POSSIBLE, WE HAVE CREATED A POLICY AND PROCEDURE MANUAL THAT WILL ENABLE US TO SERVE YOU BETTER. PLEASE TAKE A MOMENT TO LOOK AT ALL OF OUR PRODUCTS AND ACCESSORIES THAT ARE AVAILABLE TO YOU. ONCE AGAIN, THANKS FOR CHOOSING MAC METAL.

A handwritten signature in black ink, reading 'Corey McGlothlin'. The signature is written in a cursive, flowing style with a small dot above the 'i' in 'McGlothlin'.

COREY MCGLOTHLIN
VICE-PRESIDENT OPERATIONS



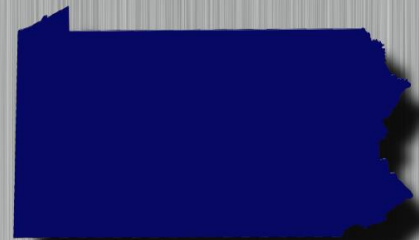
KENTUCKY

1650 W. HWY 80
SOMERSET, KY 42503

PHONE: 606.678.8331

FAX: 606.678.9691

TOLL FREE: 800.887.5964



PENNSYLVANIA

84 WOMELDORF LN.
BROOKVILLE, PA 15825

PHONE: 814.849.1966

FAX: 814.849.1968

INFO@MACMETALSALES.COM

MACMETALPA@MACMETALSALES.COM

WWW.MACMETALSALES.COM