



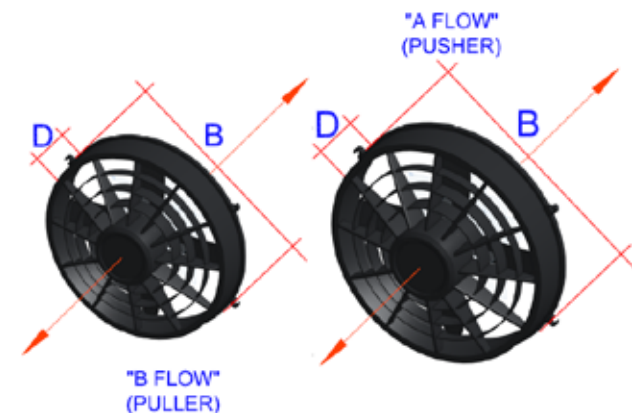
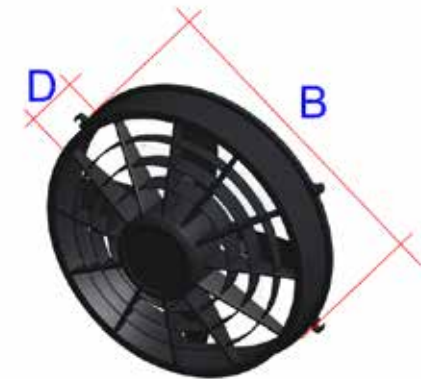
All compact engine room fans come standard with:

- Housing from Fibre Reinforced Plastic.
- Synthetic Impellers - Corrosion Proof.
- Sealed marinated motor 316 stainless steel fasteners
- 9 or 12 inch diameter sizes available.
- IP68 Rated
- 12 or 24 Volt
- US Coast Guard approved
- Install kit complete with everything to fit up to your vessel
- Supplied with a full replacement 3 year warranty

Why Compact Engine Room Fans?

- Great for tight locations where space is limited
- Easier installation and wiring
- Air diverters available to direct air inside your engine room
- Available off the shelf.
- Supplied with full installation kit and instructions.

Accessories such as 45 or 90 degree mounting brackets including finger guards and air diverters are available.





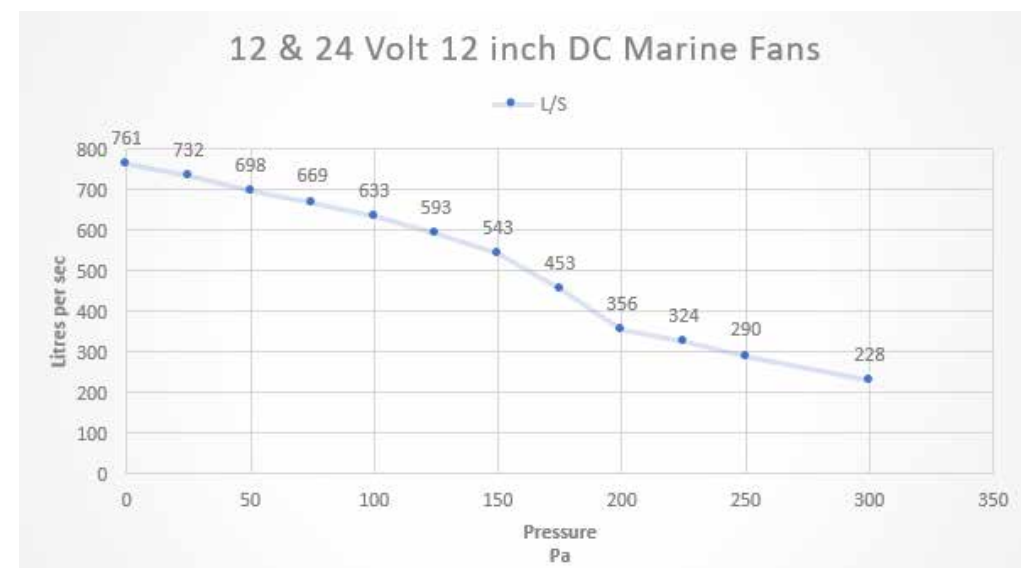
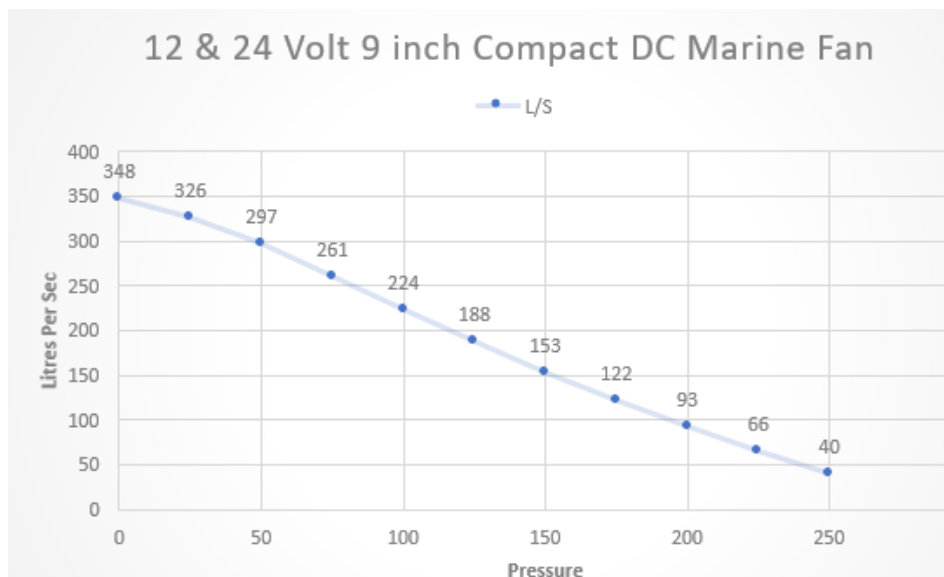
Compact Engine Room Fans

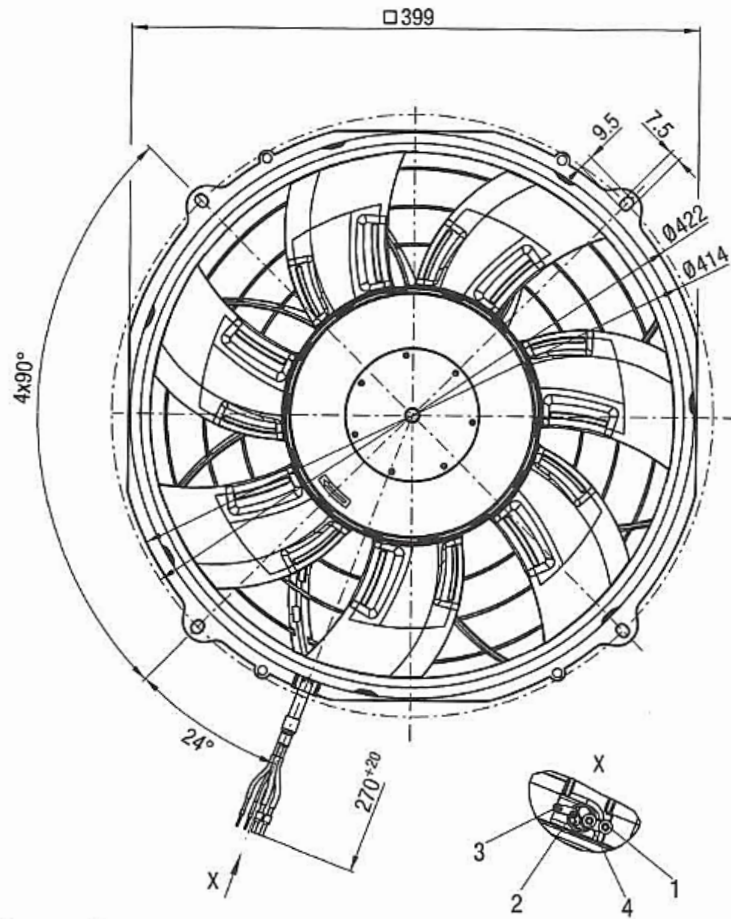
Spec Data Sheet

MAFI Part Code	Body (OD) "B"	Depth "D"	Mounting PCD	Volts	AMPS for 12 Volt	AMPS for 24 Volt	DB	Air Vol Ltr / Sec	KG	Cost
Part code for 12V: FANDC-COMP-12V-9IN Part code for 24V: FANDC-COMP-24V-9IN	247mm	64mm	250mm	12V or 24V	8A	4A	71	200-250	1KG	\$320.00
Part code for 12V: FANDC-COMP-12V-12IN Part code for 24V: FANDC-COMP-24V-12IN	330mm	92mm	338mm	12V or 24V	19A	9A	80	650-700	2.5KG	\$640.00

NB: All export projects are quoted in USD

NB: All fans are set up standard as "B-flow" (Puller) and can be easily reversed by following the easy step via the link

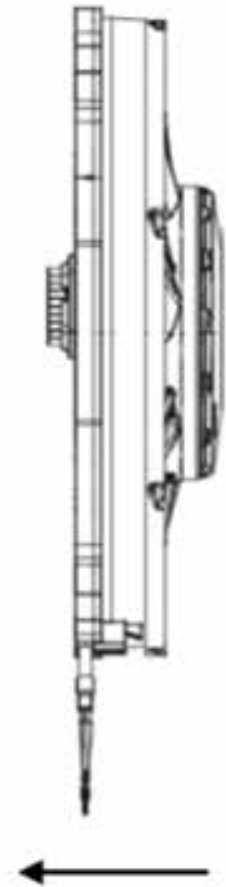
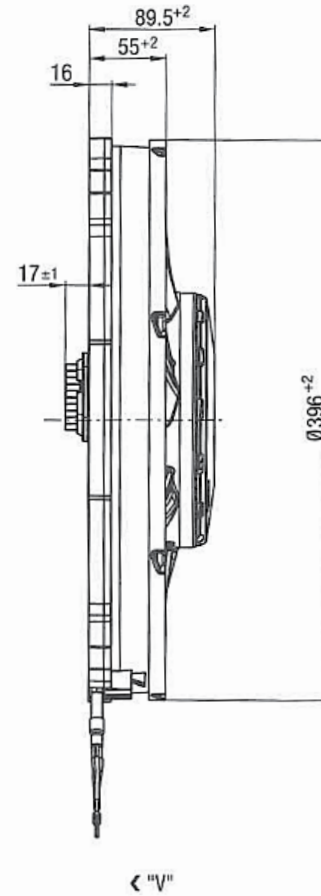




Lead connection:

- 1 = + UB (black)
- 2 = Diagnostic output (white)
- 3 = PWM/LIN (yellow)
- 4 = GND (brown)

385mm Axial Fan

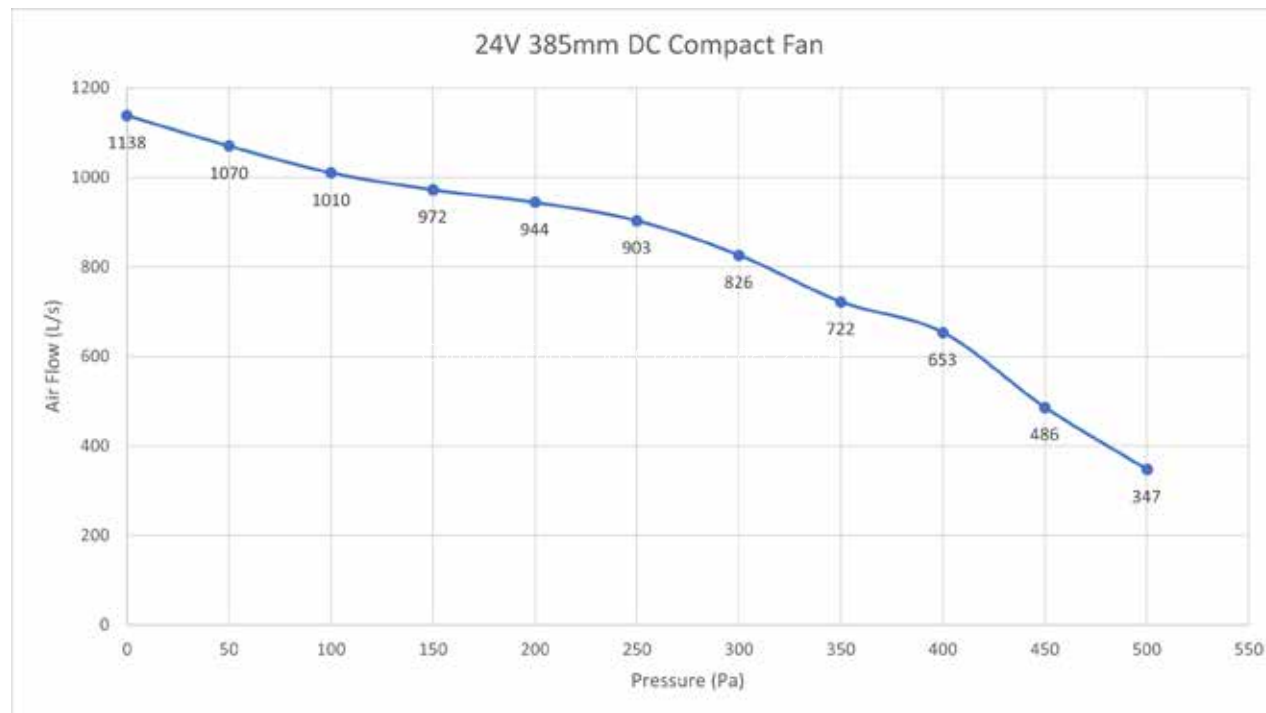


Direction of Airflow



MAFI Part Code	Body (OD) "B"	Depth "D"	Power	Amps	Volts	RPM	DB	Air vol (L/s)	Pressure (Pa)	KG	Cost
FANDC-COMP-24V-385MM	399mm	89.5mm	450W	17.7	24V	3140	88	1138	0	3.1KG	\$1990.00 + gst

NB: Prices do not include a controller, however they can be purchased at an additional cost



Performance Curve of 385mm Axial