



Wood Burning Fireplaces





From our family to yours

As in years passed, fireplaces prevail as cozy centerpieces around which families gather. Those magical flames warm our hearts and slowly melt into whimsical dreams of adventures and memories yet to come. Time after time, Napoleon® has led the way with new and innovative technology that continuously surpasses industry standards not only in appearance but in efficiency, performance and quality. Napoleon® is proudly registered under the world recognized ISO 9001-2000 Quality Certification.

With over 30 years in the hearth industry, we are able to offer you a wide range of products, all proudly carrying the President's Limited Lifetime Warranty. All of this experience, care and quality results in the creation of hearth products that possess a timeless and enduring style, worthy of a place in your home.

As the largest family owned hearth products and gas grill manufacturer in North America, we welcome you to experience the complete family line-up of Napoleon® wood, gas, electric and oil burning fireplaces, inserts and stoves. Our products are available for viewing at a dealer nearest you or at www.napoleonfireplaces.com.

Why Napoleon® Wood Burning?

The answer is quite simple. No other hearth manufacturer in North America has perfected wood burning technology to the level that Napoleon® has... perfecting true craftsmanship to last a lifetime. Years of research, strict quality testing and advanced wood burning technology have surpassed critical standards, providing you with the cleanest, most efficient wood burning products. Napoleon® products are backed by the President's Limited Lifetime Warranty, guaranteed to give you the solid performance you deserve.

Best Burn Times In The Industry

Napoleon® Wood Burning products offer state of the art technology, unlike any others, completely utilizing the firebox chamber with a fully lined refractory system. The kiln-like atmosphere allows for an amazing long day or overnight burn. The single lever combustion control allows for simple regulation of the burn rate.

No Power... No Problem!

We all feel vulnerable when there is a power outage, but with a Napoleon® wood fireplace, stove or insert, you can rely on comfort and heat when you need it most. Rest assured, you can enjoy a cozy, warm atmosphere when the power is out!

Warming Homes, Not The Environment

Napoleon® products are designed not only for outstanding heating efficiencies but Napoleon® also takes great pride in their commitment to provide environmentally friendly wood burning products . Napoleon's advanced wood burning technology exceeds EPA (Environmental Protection Agency) standards burning very clean with low emissions, helping make a difference in keeping our environment safe.



Wolf Steel Manufacturing



Napoleon Appliance Corp.



Wolf Steel Montreal



Wolf Steel USA



Made In North America



Wolf Steel Corporate Offices



NZ6000 doors & faceplate shown with wrought iron finish. Inset shown with optional country crane & hearth pot.



NZ6000 - A Showcase For Your Home


Napoleon's dedicated team of designers and engineers have taken wood burning to a higher level and created a distinctive fireplace experience never seen before in the industry! The perfect blend of elegant, rustic styling and state-of-the-art wood burning technology makes this luxury fireplace an ideal choice to add class and artistry to your home. The HIGH COUNTRY™ stands out in the crowd, well deserving the Napoleon® insignia. Treasured for its quality and performance, every Napoleon® fireplace is hand crafted to last for generations.

Napoleon® Exclusive Features

- 🔥 • Largest firebox in the industry allowing for an overnight burn
 - 🔥 • Advanced air wash system helps keep the glass clean
 - 🔥 • Firebrick lined firebox with a cast Napoleon® insignia, ensures quality in every fireplace
 - 🔥 • Optional country crane and hearth pot
 - 🔥 • Backed by President's Limited Lifetime Warranty
- Impressive 36" w x 22" h door opening - massive viewing area
 - High efficiency and low emissions are achieved through a non-catalytic high tech design
 - Heat radiating high temperature ceramic glass
 - Heavy duty MIG welded 1/4" boiler plate construction
 - Easy, single lever combustion control allows convenient regulation of burn rate
 - Elegant cast iron andirons and grate
 - Optional powerful, remotely located and WHISPER QUIET™ 440 cfm air circulating blower with decorative grill and washable filter
 - EPA certified - exempt
 - Steel template included to ensure proper fit for facing material

Model	BTU Heat Output*	BTU Heat Output (High Burn)**	Firebox Capacity (cu ft)	Area Heated (sq ft)	Burn Time (hours)	Log Size (Max)	Emissions (grams per hour)	Flue Diameter	Outside Air For Combustion	Mobile Home Approved	Central Heating and/or Blower
NZ6000	10,000 - 80,000	100,000+	4.8	3000+	14	32"	N/A	8"	Yes	No	Optional

Proudly Made in North America

 Napoleon® Exclusive Feature

Safety tested to North American standards ULC S610, UL 127

Figures may vary with individual conditions such as floor plan layout, insulation value/heat loss of the home, geographical location and the firewood used

*EPA (Environmental Protection Agency) rated BTU/h with softwood test fuel (for emissions only) - no refueling

**Wolf Steel Ltd. own test results showing realistic BTU using hardwood logs with regular refueling. Heat output will differ on chimney draft as well as type, moisture content and size of wood.

Designer Options



Satin chrome arched double doors, faceplate, upper grill and keystone



Painted black arched double doors, faceplate and upper grill with 24 karat gold plated keystone



24 karat gold plated upper grill, arched double doors and key stone with painted black faceplate



Painted black arched double doors, faceplate, upper grill and keystone



Optional arched double door screen kit with heavy duty stand





EPA NZ3000 - Wood Burning Elegance

Napoleon's EPA certified NZ3000 wood burning fireplace is the smaller version in the powerful High Country™ Series. The NZ3000 offers superior, heavy duty boiler plate steel and full refractory lined firebox with advanced EPA technology. The ultra high efficiencies allow for easily sustained overnight burns. Only Napoleon® provides wood burning fireplaces that have an elegant, rustic style and are built to these high quality standards.

Napoleon® Exclusive Features

- **Five stainless steel secondary air tubes with 300 ports, which supercharges the fuel burning process and generates a fascinating display of YELLOW DANCING FLAMES®**
 - **Fully lined refractory firebox retains heat, supports overnight burns and provides complete and clean combustion**
 - **Super low heat control lowers burn rate and shuts the blower down - designed to ensure clean, complete combustion even on the lowest heat output setting**
 - **Safety door switch, super low burn override switch and heat activated thermal switch for optional blower are pre-installed**
 - **Two piece, high density ceramic, removable baffle allows easy access for chimney cleaning and maintenance**
 - **Backed by President's Limited Lifetime Warranty**
- Rugged, heavy steel firebox construction
 - Indoor or outdoor combustion air with 1% to 100% mixing control
 - Napoleon's advanced EPA wood burning technology allows long, overnight burns
 - Heat radiating ceramic glass
 - Andirons come standard with the unit
 - Easy slide air control lever
 - Optional powerful 440 CFM remote blower offers superior heat output into the room
 - Optional 636 CFM central heating system, that provides whole home heating, comes complete with blower, clamps, bracket, automatic damper assembly, wall mounting bracket for variable speed switch, and 12 volt wall thermostat
 - 7" chimney allows economical installation
 - Hand-crafted wrought iron faceplate with keystone and arched double door kit
 - Optional painted black arched screen kit allows you to enjoy an open fire atmosphere
 - Steel template is included with the unit to ensure proper fit for facing material
 - Convenient lift handles make it easy to transport the unit
 - Unit will fit through a standard 30" doorway



Hand-crafted wrought iron arched faceplate with keystone and double doors with decorative handles




Handcrafted wrought iron door handles



Wrought iron keystone

Model	BTU Heat Output*	BTU Heat Output (High Burn)**	Firebox Capacity (cu ft)	Area Heated (sq ft)	Burn Time (hours)	Log Size (Max)	Emissions (grams per hour)	Flue Diameter	Outside Air For Combustion	Mobile Home Approved	Central Heating and/or Blower
NZ3000	10,000 - 40,000	60,000	2.78	2000+	12 hrs	25"	7.3	7"	Yes	No	Optional

Proudly Made in North America

 Napoleon® Exclusive Feature

Safety tested to North American standards ULC S610, UL 127

Figures may vary with individual conditions such as floor plan layout, insulation value/heat loss of the home, geographical location and the firewood used

*EPA (Environmental Protection Agency) rated BTU/h with softwood test fuel (for emissions only) - no refueling

**Wolf Steel Ltd. own test results showing realistic BTU using hardwood logs with regular refueling. Heat output will differ on chimney draft as well as type, moisture content and size of wood.



NZ26 shown with satin chrome webbed arched door and louvers



EPA NZ-26 Wood Burning Fireplace

The PRESTIGE® NZ-26 zero clearance and masonry fireplace outperforms your expectations by providing optimum heating efficiency, durability, environmentally friendly wood burning, and overall exceptional heat performance that will last a lifetime!

Napoleon® Exclusive Features

- Full brick patterned refractory liner retains heat and supports overnight burn
- Exclusive PHAZER™ light weight ceramic baffle heats up quickly to help increase efficiency
- Four stainless steel secondary air tubes generate a fascinating display of YELLOW DANCING FLAMES®
- Air wash system insulated with ceramic fibre and protected with stainless steel cover plate eliminates deterioration and assures complete combustion, maintaining an extremely clean viewing glass
- Backed by President's Limited Lifetime Warranty
- High-tech wood burning with an air control chamber that eliminates negative pressure problems - use inside or outside combustion air
- A stainless steel "Exhaust Flow Prohibitor" located just before the flue gas outlet delays the combustion process extracting maximum heat
- Convenient and elegant, stainless steel log retainer and primary "bottom air feed" assists in cold start up and to "recharge" a small, dying fire
- Cast iron grate with self-closing ash dump
- Large "King Size" functional ash pan (600 cu. inch capacity) with convenient handles and unique tri-fold lid, lets you dispose of ashes expediently and safely
- Single lever combustion control with optional motorized thermostat allows for automatic regulation of burn rate
- Solid construction to last, high temperature ceramic glass, cushioned in a fibreglass airtight steel frame
- Heavy duty mig welded construction of premium steel to withstand high temperatures
- Variable speed switch and heat sensor for blower are factory pre-installed ready to accept optional NZ62 blower kit
- For increased room to room heating, the optional NZ62CH with it's 636 cfm central heating blower and thermostatic control may be installed into it's own forced air duct work system

Model	BTU Heat Output*	BTU Heat Output (High Burn)**	Firebox Capacity (cu ft)	Area Heated (sq ft)	Burn Time (hours)	Log Size (Max)	Emissions (grams per hour)	Flue Diameter	Outside Air For Combustion	Mobile Home Approved	Central Heating and/or Blower
NZ-26	11,500 - 27,400	70,000	1.7	2000	9	18"	5.4	6"	Yes	Yes*	Optional

Proudly Made in North America



Safety tested to North American standards ULC S610, UL 127, ULC S639

*USA only

Figures may vary with individual conditions such as floor plan layout, insulation value/heat loss of the home, geographical location and the firewood used

*EPA (Environmental Protection Agency) rated BTU/h with softwood test fuel (for emissions only) - no refueling

**Wolf Steel Ltd. own test results showing realistic BTU using hardwood logs with regular refueling. Heat output will differ on chimney draft as well as type, moisture content and size of wood.

Louvres



Classic Arched or Webbed Arched Door



Cast Iron Surround



Painted black

Designer Features

RENEWABLE
RESOURCE
ENVIRONMENTALLY
FRIENDLY



Wrought iron keystone and lattice design



Convenient, double door access for ash pan removal



Rustic, European handcrafted wrought iron elegance takes the NZ-26WI fireplace to a new level



Shown above with a Napoleon® Waterfall

NZ-26WI Wood Burning Fireplace

Napoleon's NZ-26 advanced wood burning fireplace is also available with a timeless, distinguished wrought iron design. The NZ-26WI comes with a solid European handcrafted wrought iron arched face and double doors, a unique lattice design and a distinctive, decorative keystone. NZ-26 and NZ-26WI... two totally different looks but all the same remarkable wood burning features!

Model	BTU Heat Output*	BTU Heat Output (High Burn)**	Firebox Capacity (cu ft)	Area Heated (sq ft)	Burn Time (hours)	Log Size (Max)	Emissions (grams per hour)	Flue Diameter	Outside Air For Combustion	Mobile Home Approved	Central Heating and/or Blower
NZ-26WI	11,500 - 27,400	70,000	1.7	2000	9	18"	5.4	6"	Yes	No	Optional

Proudly Made in North America

Safety tested to North American standards ULC S610, UL 127, ULC S639

Figures may vary with individual conditions such as floor plan layout, insulation value/heat loss of the home, geographical location and the firewood used

*EPA (Environmental Protection Agency) rated BTU/h with softwood test fuel (for emissions only) - no refueling

**Wolf Steel Ltd. own test results showing realistic BTU using hardwood logs with regular refueling. Heat output will differ on chimney draft as well as type, moisture content and size of wood.



Explaining Nature's Carbon Cycle

Help Protect the Environment with a Napoleon® Wood Burning Fireplace, Stove or Insert

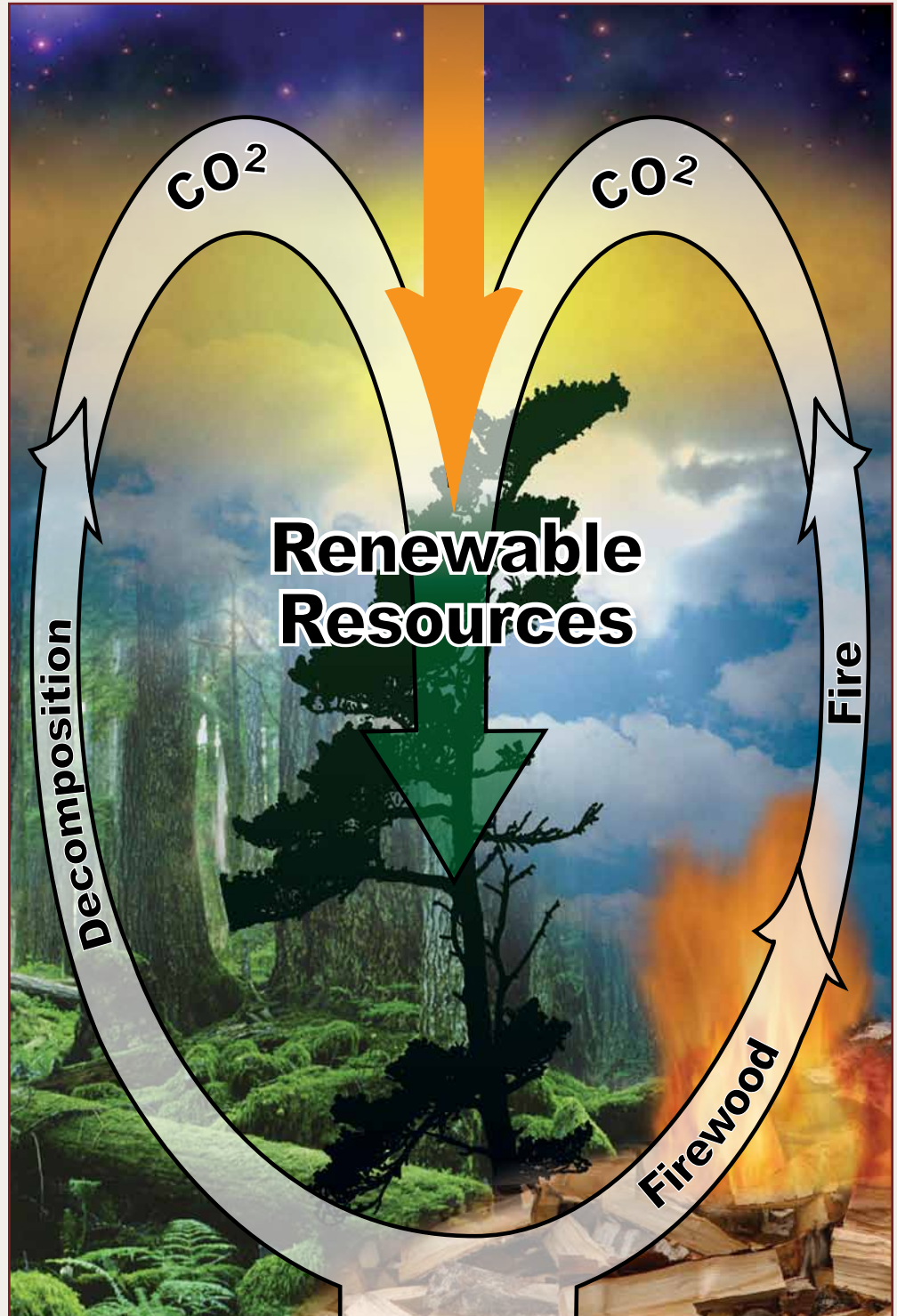
Carbon is an essential part of life on Earth. It plays an important role in the structure, biochemistry and nutrition of all living cells. Nature's cycle is an exchange of carbons between the atmosphere and vegetation, using the energy from the sun. Plants absorb the CO₂ from the atmosphere during photosynthesis, also called primary production, and release CO₂ back into the atmosphere during respiration.

How does this relate to wood burning? Simple, trees (like any vegetation) absorb carbon dioxide from the air as they grow. When trees die from the natural aging process or are consumed in a forest fire, the carbon that is stored within the trees is again released into the air as carbon dioxide. This is the simplest form of nature's carbon cycle.

Heating your home with a Napoleon® high efficiency, EPA (Environmental Protection Agency) approved fireplace, stove or insert releases no more carbon dioxide than a dying tree would lying on the forest floor. In fact, when the entire carbon cycle is considered, a Napoleon® EPA Approved fireplace heats your home more efficiently and with less impact on the environment than any other heating fuel option.

When other fossil fuels such as coal, etc, are used to heat your home, run your car or power your appliances, old carbon that has been stored in the Earth's geosphere for millions of years is released into the atmosphere. This increased compressed form of carbon dioxide is directly linked to global warming.

Napoleon® wood burning fireplaces, stoves or inserts do not contribute to this effect as no more carbon dioxide is released than would a dying tree from a natural forest.



Napoleon® Helps Protect The Environment.



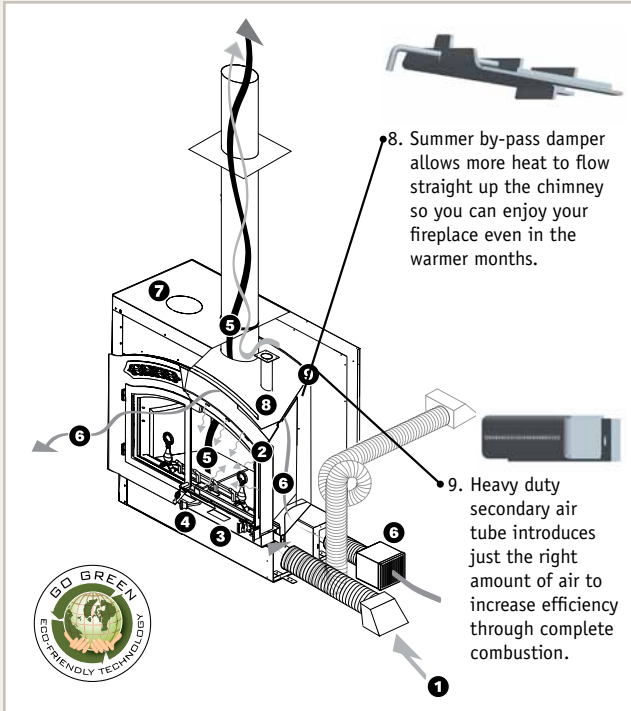
Go Green
With Napoleon®



www.napoleonfireplaces.com

Wood burning fireplaces packed with features that outperform your expectations!

High Country™ NZ6000



Anatomy of the perfect fireplace

1. Combustion and dilution air is brought into the unit through the fresh air intake collars located on the bottom side of the unit.
2. The combustion air is brought into the firebox through many small holes in the airwash located at the side and top of the opening.
3. Safety switch, the blower stops automatically when door is open and when door is closed, the blower starts again automatically
4. A single air control regulates the burn rate.
5. Combustion takes place inside the firebox, smoke and gases are moved around a large baffle system into a second chamber for complete combustion and extended flame path to extract maximum amount of heat and exhausts out the chimney.
6. The optional blower provides an ideal means of circulating warm air within the home. Where location permits and extreme cold temperatures are not experienced, this blower may also be installed to utilize fresh outside air to introduce "positive pressure" to the home. The remote, powerful 320 cfm blower can be installed remotely from the unit (ie. basement) so you can enjoy increased air circulation with WHISPER QUIET™ operation.
7. The optional hot air gravity vent system may be used to distribute heat to an adjoining room (located either above, or beside the room containing the fireplace).

Specifications NZ6000

Tested to CAN/ULC S610, UL127 Standards for factory built fireplaces

Approved with chimneys

Any 8" diameter chimney listed to these standards may be installed. In accordance with these standards, the unit may also be connected to any chimney listed to CAN/ULC-S604 and CAN/ULC-S629 for Canada or UL-103HT for the United States.

Clearance to combustibles

Minimum, fireplace	"0" to stand offs (rear) 6" to sides
Ceiling of enclosure	120" from the base of the unit (unless shielded with metal studs and cement board)
Ceiling (in front of fireplace)	84" from the base of the unit
Chimney	2" (follow manufacturer's instructions)
Hot air gravity duct work	1"
Mantle to top of faceplate	from 12" (with mantel protruding 2") to 18" (with mantel protruding 8")
Minimum hearth extension	20" x 61 1/2" non-combustible surface

High Country™ NZ3000

Specifications NZ3000

Tested to CAN/ULC S610, UL127 Standards for factory built fireplaces

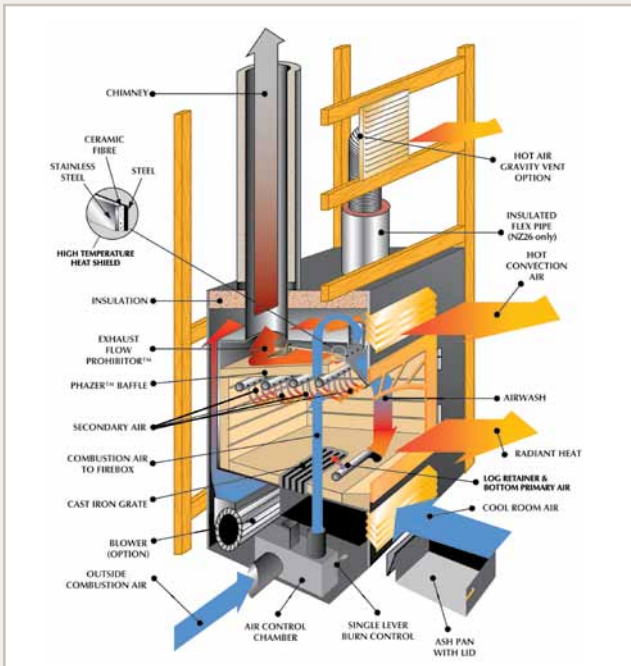
Approved with chimneys

Any 7" diameter chimney listed to these standards may be installed. In accordance with these standards, the unit may also be connected to any chimney listed to CAN/ULC-S604 and CAN/ULC-S629 for Canada or UL-103HT for the United States.

Clearance to combustibles

Minimum, fireplace	"0" to stand offs (rear) 6" to sides
Ceiling of enclosure	84" from the base of the unit
Ceiling (in front of fireplace)	84" from the base of the unit
Chimney	2" (follow manufacturer's instructions)
Hot air gravity duct work	1"
Mantle to top of faceplate	from 12" (with mantel protruding 2") to 18" (with mantel protruding 8")
Minimum hearth extension	20" x 54" non-combustible surface

NZ-26 & NZ-26WI



Installation

- Install as a zero clearance fireplace with factory built chimney or as a masonry fireplace using an existing or new masonry chimney.
- Four different heating usage options:
 1. Standard installation heats through natural convection (NZ-26 & NZ-26WI)
 2. Gravity, hot air vent system to heat adjoining rooms (NZ-26)
 3. Central system with thermostatic control for multi room heating (NZ-26 & NZ-26WI)
 4. Thermostatically controlled system connects to existing duct work (NZ-26)

Specifications

NZ-26 & NZ-26WI

Tested and listed to Standards in Canada and the U.S. : ULC S610-M87, ULC S627, UL127 for Zero Clearance Fireplaces and to S639-M87 for Solid Fuel Burning Masonry Fireplaces

Approved with chimneys

Any 7" diameter chimney listed to these standards may be installed. In accordance with these standards, the unit may also be connected to any chimney listed to CAN/ULC-S604 and CAN/ULC-S629 for Canada or UL-103HT for the United States.

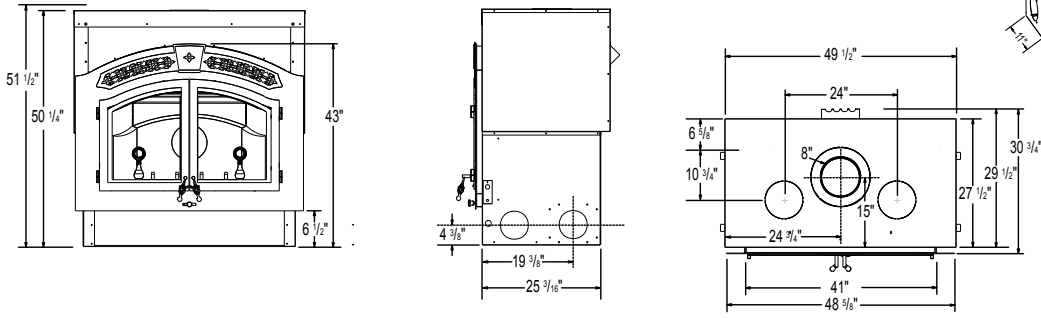
Clearance to combustibles

Minimum, fireplace	"0" to stand offs (rear) 6" to sides
Ceiling of enclosure	84" from the base of the unit (unless shielded with metal studs and cement board)
Ceiling (in front of fireplace)	84" from the base of the unit
Chimney	2" (follow manufacturer's instructions)
Hot air gravity duct work	1"
Mantle to top of faceplate	from 12" (with mantel protruding 2") to 18" (with mantel protruding 8")
Minimum hearth extension	20" x 54" non-combustible surface

Fireplace Dimensions

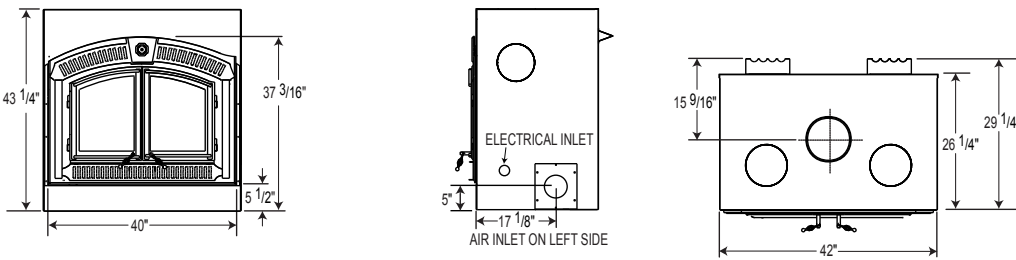


NZ6000



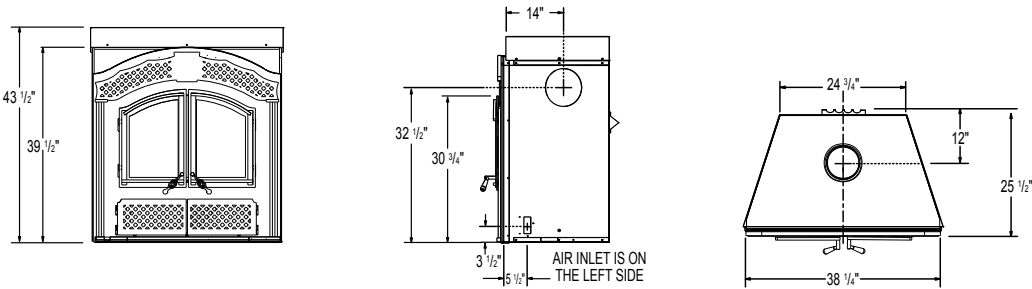
Model	Door Size (Width & Height)	Weight of Bricks	Weight without Bricks
NZ6000	38 1/4" w x 24" h	110 lbs	583 lbs

NZ3000



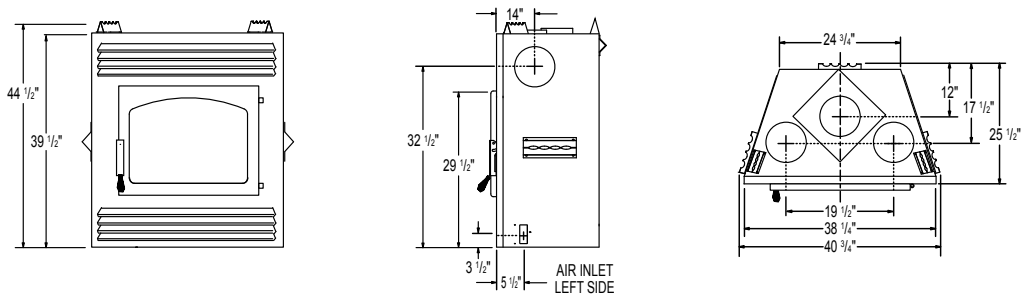
Model	Door Size (Width & Height)	Weight of Bricks	Weight without Bricks
NZ3000	32 1/2" w x 20 1/2" h	128 lbs	352 lbs

NZ-26WI



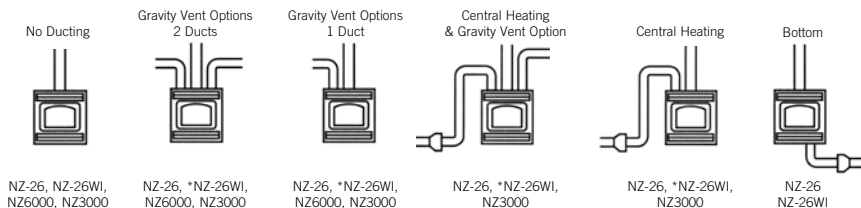
Model	Door Size (Width & Height)	Weight of Bricks	Weight without Bricks
NZ-26WI	27 1/4" w x 19 3/4" h	132 lbs	310 lbs

NZ-26

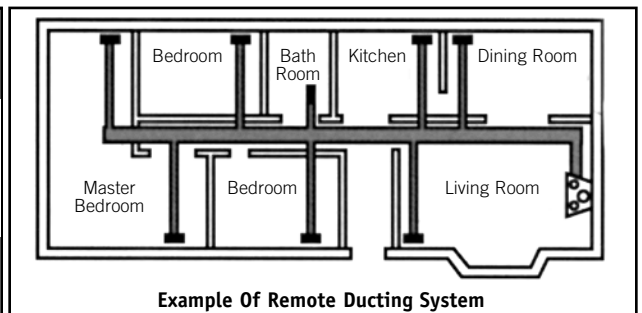


Model	Door Size (Width & Height)	Weight of Bricks	Weight without Bricks
NZ-26	27 7/8" w x 19 1/2" h	132 lbs	262 lbs

Hot Air Venting Options



*NZ-26WI is ducted from right side only

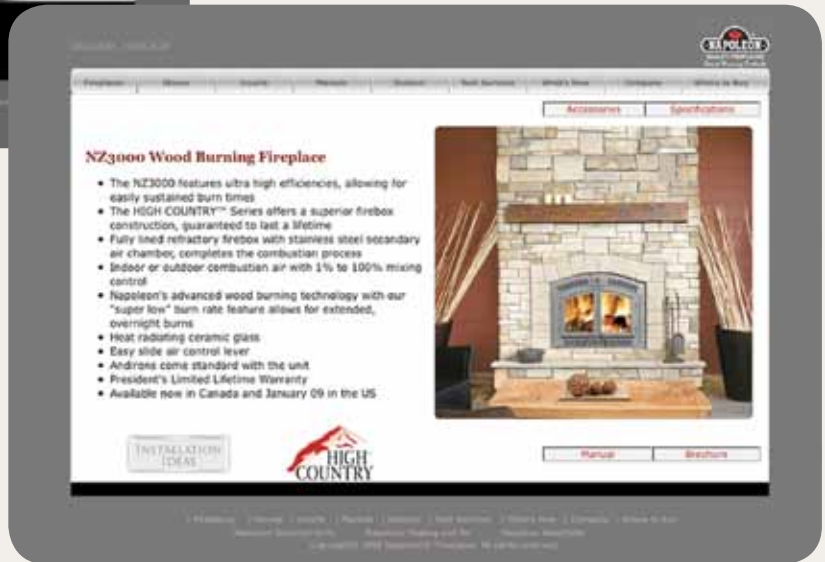


Experience Napoleon's impressive product selection online



Please visit our website, napoleonfireplaces.com, for more information on our complete line of wood, gas, oil and electric fireplaces, stoves and inserts as well as the Napoleon® Waterfall collection. Click "Where to Buy" to find the dealer nearest you.

We also have a complete line of outdoor living products including outdoor gas fireplaces, patio heaters, an outdoor gas firepit and gourmet gas grills.



Other Napoleon® Products



Fireplace Inserts



Outdoor Living Products



Woodburning Stoves



Cast Iron Gas Stoves



High Efficiency Gas Stoves



Direct Vent Fireplaces



Electric Fireplaces



Waterfall Collection



Gourmet Gas Grills

Napoleon stoves are certified for emissions to EPA phase 2 1990 and DEQ 1988 Standards and safety tested by Warnock Hersey to North American Standards. CSA B366.2, ULC S627, ULC S628 and UL 1482. Consult your owner's manual for complete installation instructions and check all local and national building codes. All specifications and designs are subject to change without notice to allow for on-going product improvement. Images may not be exactly as shown. Actual enamel colours might be slightly different as shown in brochure. © Wolf Steel Ltd. Napoleon® is a registered trademark of Wolf Steel Ltd.



• 103 Miller Drive, Crittenden, Kentucky, USA 41030
 • 24 Napoleon Road, Barrie, Ontario, Canada L4M 4Y8
 • 7200 Trans Canada Highway, Montreal, Quebec, Canada H4T 1A3
 Tel: 705-721-1212 Fax: 705-722-6031
napoleonfireplaces.com
fireplacedesignstudio.com



Authorized Dealer