

CATALOG



ASSA ABLOY

Experience a safer
and more open world

OPERATORS

CONTROL FOR ANY APPLICATION



5800 SERIES

LOW ENERGY POWER OPERATORS

INTRODUCTION

As one of the world's only regenerative power door operators, Norton Rixson's 5800 Series is certified by GreenCircle® to reduce energy consumption by as much as 100 percent versus other comparable operators. Available in wireless and plug-in versions and able to fit in the tightest of spaces, the 5800 is simple to install and use.

FEATURES

- Regenerative drive or continuous duty operation
- Non-handed
- 95° door opening
- Maximum door weight: 250 lbs
- Push and pull side mounting
- Radio frequency stainless steel wall switches
- Integral RF receiver
- Shock absorbing arm
- 24VDC input port
- ADA1015P hardware kit
- Auxiliary activation input port
- Patented auto-tune feature
- 2 year limited warranty

HOW IT WORKS

How does the 5800 Series Pro work without electrical power?

The 5800 Series Pro is an extreme duty, low energy operator designed for moderate to high traffic manual opening applications that occasionally requires powered operation. A regenerative drive system charges an onboard battery pack eliminating the need for electrical power.

The 80/25 guidelines should be applied when ordering this operator. It is recommended that the 5800 Series Pro be used on a door that gets approximately 80 manual cycles or more per day and is used 25% or less automatically. When applied using the 80/25 guideline this operator will self-generate all the power it needs to keep its field replaceable, onboard, battery pack charged for up to 12 years and in some cases longer.



A fully charged battery has the capability to open a door up to 2000 times in a row, generously allowing for periodic fluctuations from 80/25 guidelines with little impact on the product's overall usability. Example: 30% automatic use for one day is not a problem, as long as that level of automatic use is not sustained.

The 5800 Series Pro can be used outside of the 80/25 parameters. Simply plug the unit into a common 110 VAC electrical outlet using our ADA1015P hardware kit option. The hardware kit is a low voltage plug in transformer and can be added to existing installed field units.

FUNCTIONS

- Adjustable Hold Open
 - Amount of time a door will stay in the full open position after an activation
- Dynamic Braking
 - Braking or slowing of the door if excessive door speed occurs resulting from a wind load or an abusive open condition
- Emergency Interface Relay*
 - Door closes and ignores any activation input until signal is discontinued
- Executive Mode Feature
 - When door receives activation signal it opens and remains open until either a second signal is received or door is manually moved in closing direction
- Latch Assist
 - At closed position, after an activation, the door is pulled in
 - After the door has closed, the door is pulled in to assist with latch release/engagement
- Obstruction Detection
 - Open - door closes if it hits an obstruction while opening
 - Close (Stop on Stall) - door will stop once it hits an obstruction and will rest against the obstruction until obstruction is removed
- On/Off Switch
 - Disables operator activation
- Open Delay*
 - Delays operator opening for locking hardware
- Outside Wall Switch Disable*
 - When contact is closed, outside wall switch is disabled
- Power Close
 - Additional force to assist door closing between 90° and 70° and 10° and 0°
- Push & Go
 - As the door is manually opened, the operator “senses” movement and opens door to the full-open position
- Single Relay Output*
 - Closes to indicate a valid activation

**Only available with Wireless Interface Module (WIM) ordered separately.*

CERTIFICATIONS

- ANSI/BHMA A156.19 certified
- ETL tested to UL/cUL 325 standard for automatic operators
- Complies with requirements for Americans with Disabilities Act (ADA)
- UL10C positive pressure 90 minute
- Manufactured in an ISO 9001 and ISO 14001 certified facility
- Verified by GreenCircle to offer these energy savings as compared to similar products:
 - 5800 Series (plug-in) – 91% efficiency
 - 5800 Series (wireless) – 100% efficiency



PATENTS

- assaabloydss.com/patents

5800 SERIES

LOW ENERGY POWER OPERATORS

SPECIFICATIONS

- Provide low energy automatic door operator complying with requirements of ANSI A156.19
- Provide an operator with adjustable opening and closing forces that meet the provisions of ANSI A117.1 and the Americans with Disabilities Act
- Provide an operator with a regenerative drive system which charges the on-board battery pack when unit is operated manually and which requires no external electrical power
- Provide an operator that can connect to ANY 24VDC power supply to keep an on-board battery pack fully charged eliminating the need for manual traffic charging. When used with 24VDC input the operator shall supply up to 2000 automatic operations upon loss of building power
- Provide an operator which has been verified by GreenCircle to offer these energy savings as compared to similar products:
 - 5800 Series (plug-in) – 91% efficiency
 - 5800 Series (wireless) – 100% efficiency
- Provide an operator which, upon installation, will determine door size and weight and automatically tune controller to operate within ANSI A156.19 and A117.1 standards. Operator shall also have the following adjustable functions:
 - Opening/closing speed
 - Hold-open time
 - Close check
 - Opening/closing force
- Provide operator with on-board diagnostics which will continually maintain control of door speed in wind or abusive environment conditions
- Provide operator that will continue closing door within ANSI A156.19 and 117.1 requirements without any external power supplied. Upon meeting an obstruction during the opening cycle the door shall remain under power for one second and then close under spring force; if the door meets an obstruction during closing, the door will maintain a closing force of 8 lbs or less
- Provide unit capable of operating doors up to 48" wide, weighing up to 250 lbs
- Provide unit that will operate in climates with temperatures above -40° F and has a two year warranty
- Provide operator with two stainless steel, jamb mounted, wall switch transmitters in choice of 1-3/4" x 4-3/4" narrow, 4-1/2" x 4-1/2" square styles, or 5-1/4" x 5 11/4" wave-to-open switch style, with required signage. Locate wall switches as directed by architect and within ANSI A156.19 and 117.1 guidelines
- Provide operator which utilizes a triangular hardened steel output shaft to connect arm with a two piece tapered coupling for superior slip resistance
- Provide operator and wall switch transmitter with circuit boards that have been specially coated to resist moisture and humidity making the electronics weather resistant
- Provide operator with integral heavy duty cast aluminum shock absorbing arm, which when fully extended is in full tension eliminating the need for an auxiliary door stop
- Provide operator with two architecturally finished covers and black powder coated frame, arms and mounting brackets
- Black (BHMA 693T)
- Aluminum (BHMA 689)
- Provide an operator incorporating "Push & Go" feature to allow door movement to activate door open cycle or recycle door (PRO PLUS only)
- Provide an operator incorporating "Power Close" feature to utilize the motor to close a door help open by wind, stack pressure or latchbolt (Models 5833, 5813 only)
- Provide an operator incorporating "Latch Assist" feature to apply pulsed power in the closing direction to assist in latching and unlatching of the door

PRODUCT DESCRIPTIONS

PRO: MODELS 5831 (PUSH), 5811 (PULL)

- No electrical power required
- Moderate to high traffic, manual opening applications that occasionally require automatic operation
- Regenerative drive system charges an onboard battery pack
- Models 5831 and 5811 excel in applications where the traffic pattern allows for 80 door cycles per day, 25% of which are automatic and 75% of which are manual. These models require no electrical connection, no permit, no inspection, no wiring, and no low voltage license. The 5800 Series installs like a manual door closer in less than 1 hour.

PRO PLUS: MODELS 5833 (PUSH), 5813 (PULL)

- 24VDC powered - continuous automatic use
- Connects to ANY 24VDC power supply
- Commercial applications requiring Push & Go, Power Close, and Electric Lock Interface.
- Ideal for openings requiring continuous automatic use or automatic use more than 25% of the time

PRO COMPLETE: MODEL 5845 (PUSH AND PULL)

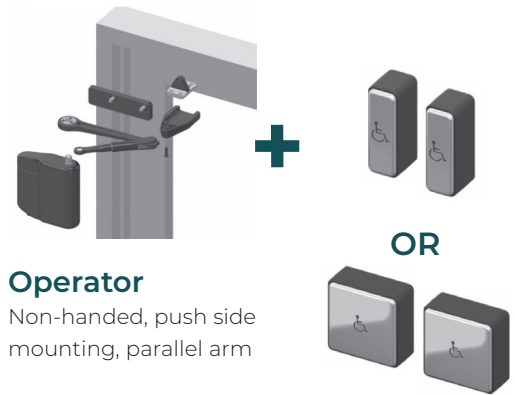
- Bundles all the configurations of the PRO and PRO PLUS models into one easy to stock package
- Right or left hand doors
- Push and pull side mounting hardware
- Black and aluminum finish covers
- Mounting hardware for virtually any door and frame
- 24VDC plug-in transformer kit for continuous automatic use applications

5800 SERIES

LOW ENERGY POWER OPERATORS

KITS

Models 5831 x NPB (Push), 5811 x NPB (Pull)

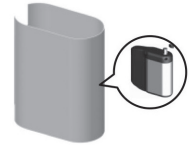


Operator
Non-handed, push side mounting, parallel arm

Wall switches with wireless (RF) transmitters

Narrow Style or Square

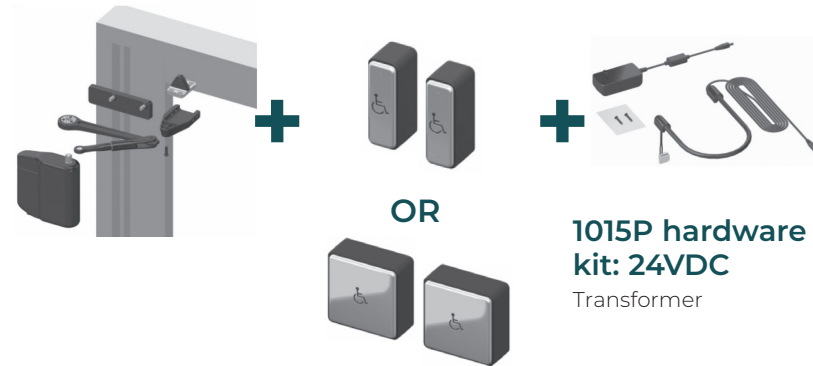
OPTION:



Aluminum dress cover

Replaces standard black cover; operator frame and arm are always black finish

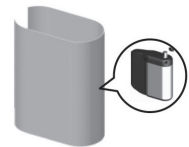
Models 5833 x SQPB (Push), 5813 x SQPB (Pull)



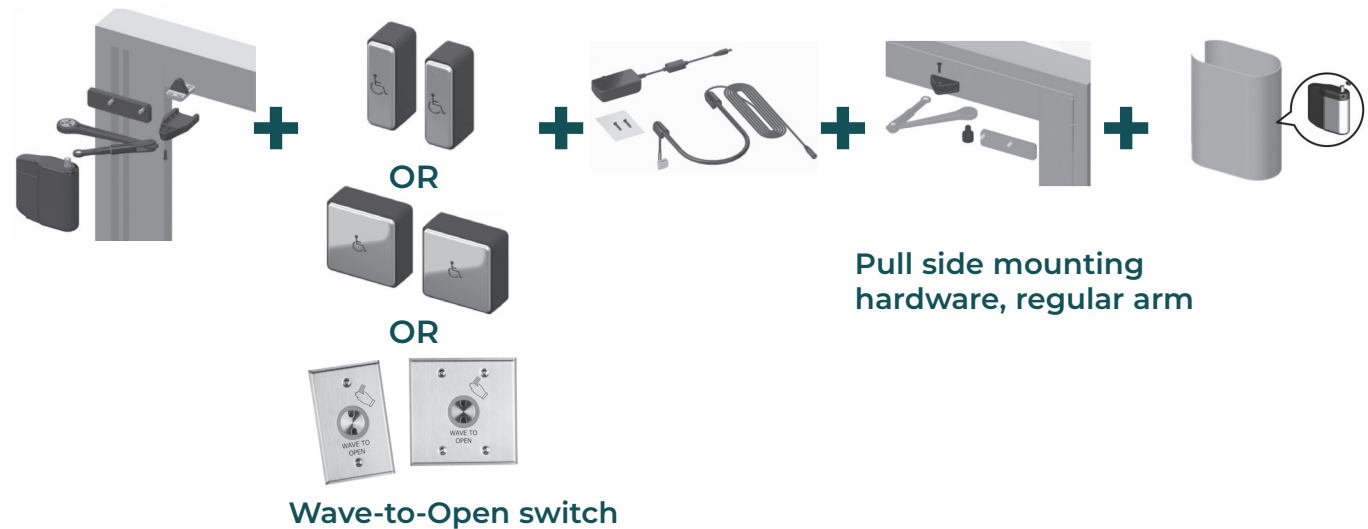
1015P hardware kit: 24VDC

Transformer

OPTION:



Models 5845 x NPB (Push & Pull), 5845 x SQPB (Push & Pull), 5845 x WTO (Push & Pull)



Wave-to-Open switch

WIRELESS INTERFACE MODULE (ADA1028W)

System Description:

The Wireless Interface Module (WIM) allows the 5800 door operator to interface to 5800 wired or wireless wall switches, wireless remote, an electric lock, fire panel, access control, and an outside wall switch disable contact. The WIM can be used with any 5800 model.

Mounting:

The WIM (4.25" W x 5.75" H) is designed to fit inside a power supply cabinet, using a supplied plastic mounting plate with double sided tape and fasteners.

Inputs:

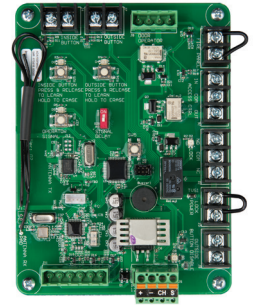
- Power input: 24VDC
- Hardwire wall switches input: separate INSIDE and an OUTSIDE activation input
- Wireless wall switch input: separate INSIDE and an OUTSIDE RF activation input
- Handheld transmitter input: part # ADA1031 interface
- Operator connection cable: plug-in swing door cable connector interface
- Lock power: dry contact SPDT to power an electric lock
- Outside wall switch disable: privacy feature

Outputs:

- Wireless output: RF signal to activate operator
- Output contacts: SPDT dry contact output for AUX signal
- Lock contacts: SPDT dry contact output for LOCK
- Access control contacts: indicates valid unlock signal
- Signal delay timer: 1.5 second lock release delay
- Emergency interface relay (EIR): disables signal inputs

Codes/Listings:

- UL 325 standard for automatic operators
- FCC 47CFR 15C and RSS 210



5800 SERIES

LOW ENERGY POWER OPERATORS

TECHNICAL INFORMATION

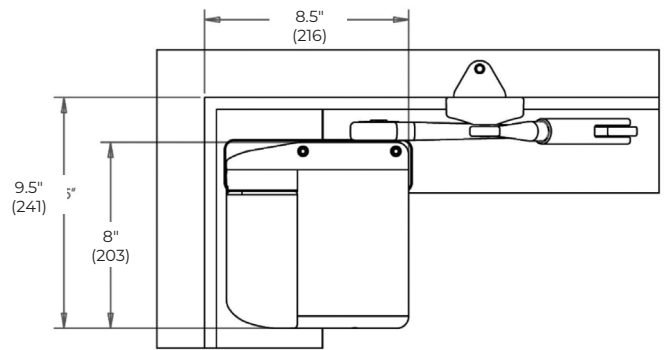
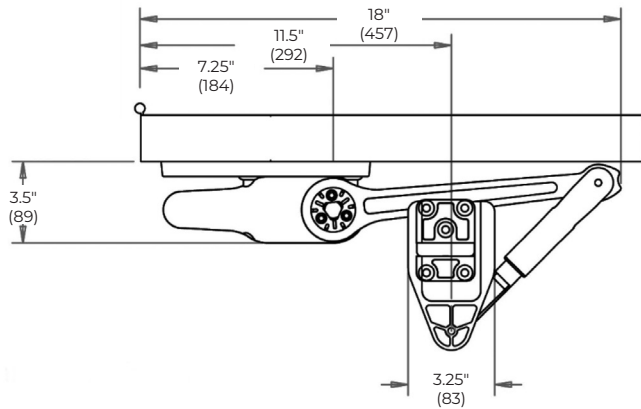
Push Side



Push side mounting without electrical power



Push side mounting with ADA1015P hardware kit



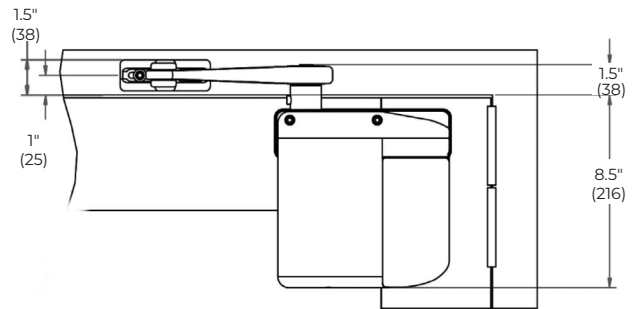
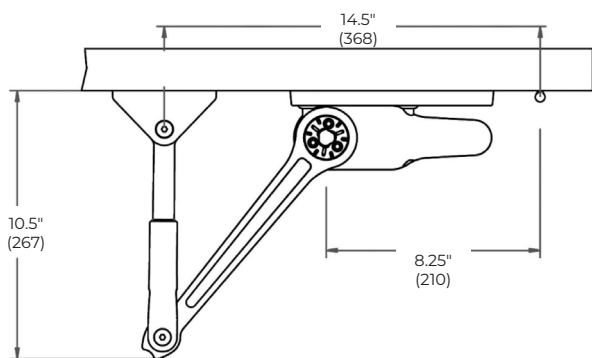
Pull Side



Pull side mounting without electrical power



Pull side mounting with ADA1015P hardware kit



All dimensions are approximate

NOTES:

- Maximum door width - 48" (122cm)
- Maximum door weight - 250 lbs.
- Dimensions are listed in inches/mm unless noted

Dimensions are in inches/mm, unless noted.

TRASH ROOM DOORS



FEATURES

- Continuous duty operation
- Non-handed
- 95° door opening
- Push or pull side mounting
- Occupancy sensor
- Electric lock interface module
- Shock absorbing arm
- Black cover (standard); aluminum cover (optional)
- 24 VDC input port
- Built-in on/off switch
- Auxiliary activation input port

APPLICATIONS

- Trash rooms in high rise buildings

How to Order	Mounting
5839-NYW	Push
5819-NYW	Pull

INCLUDED IN PACKAGE*

- Operator
- Mounting hardware
- 24VDC 1 amp power supply
- Occupancy sensor
- Armored door cord
- (2) 1-3/4" surface mounted, stainless, hardwired wall switches
- 20 feet of operator power and signal wire

* Electric lock not included

Models 5839 and 5819 were designed to meet a New York City building code that required trash room doors be equipped with automated doors to make them more accessible to disabled persons. These models include an occupancy sensor to keep the door open while the room is in use and a power close feature to ensure the door closes and re-latches.

BENEFITS

Easy to Install

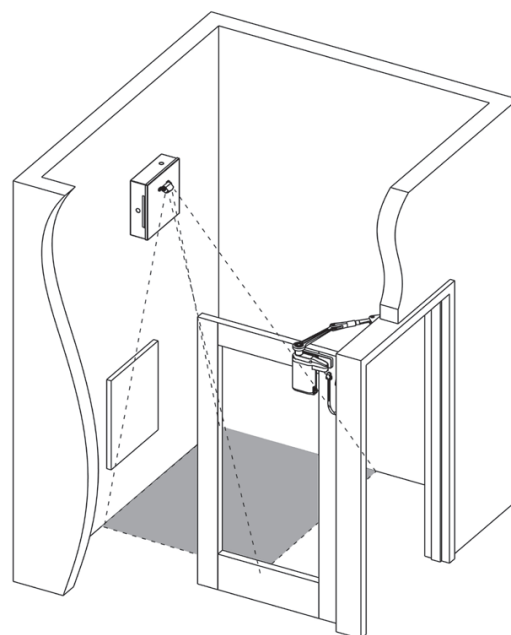
- Occupancy sensor keeps door open while room is in use
- Optional power close ensures consistent door latching

Flexible

- Controls doors up to 48" wide and 250 lbs in weight
- Acts like a manual door closer

Dependable

- Grade 1 - heavy-duty, commercial design
- Brushless DC motor/gearbox tested in excess of 10 million cycles
- Optional dynamic and back check braking for abusive environments

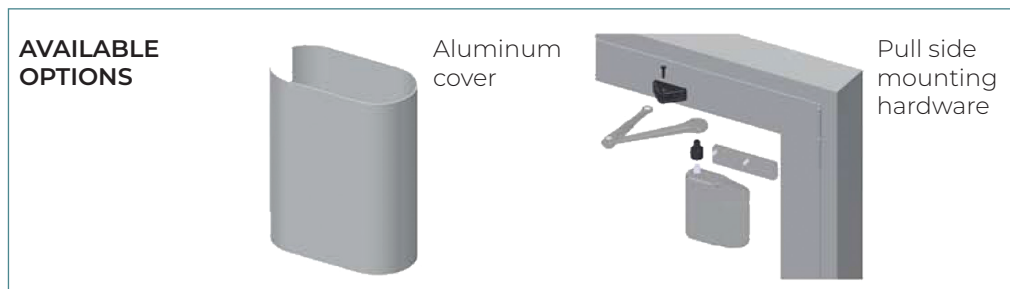
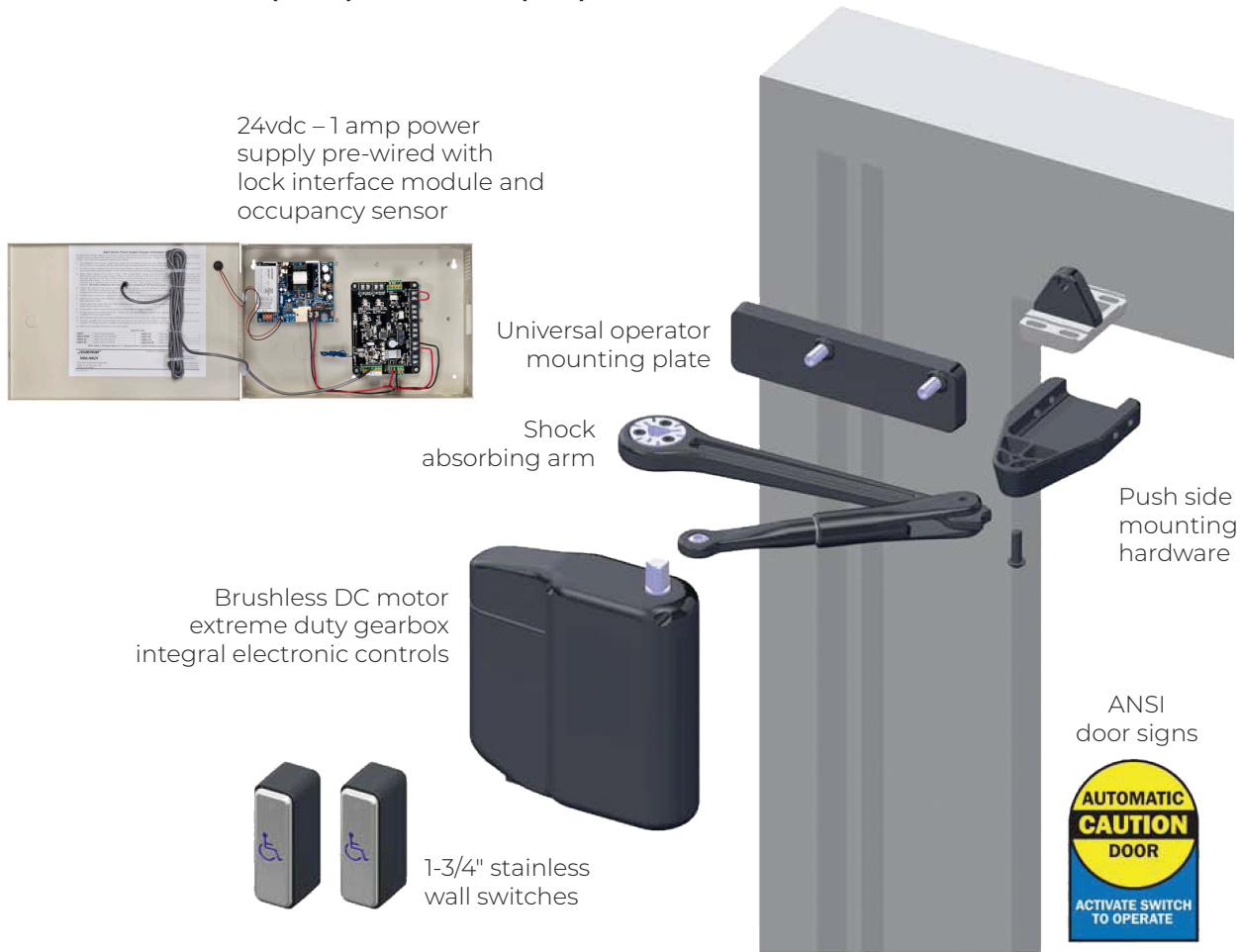


5800 SERIES

LOW ENERGY POWER OPERATORS

KIT

Models 5839-NYW (Push), 5819-NYW (Pull)



PARTS

ADA1015P

Kit: transformer, armored door cord, end links 50' of low voltage cable, power port cnt.


ADA1001

Door arm assembly


ADA1010P*

Operator body - ADAEZ PRO

ADA1010NY*

Operator body - NYC TRD

ADA1010E*

Operator body - Europe

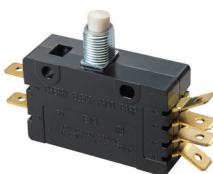
** battery not included*


ADA1005WP

Electronic control kit for Pro setup and PC board (white board)

ADA1005WN

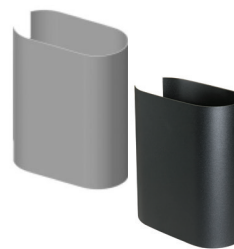
Electronic controlkit for NYCTRD setup and PC board (white board)


ADA1022

Kit to convert SPDT switch to DPDT switch

ADA1007P

Battery assembly


ADA1002

Operator cover – black

ADA1004

Operator cover – aluminum


ADA1028W

Wireless Interface Module

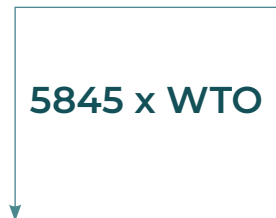
Part #	Description
ADA1009	Mounting hardware (includes rivetnut installation toolkit)
ADA1006	Operator mounting bracket with covers
ADA1023	External battery charger kit
ADA1025	Multi-purpose timer
ADA1026	Bottom cover with screws
ADA1031	Hand held remote control
ADA1031E	Hand held remote control (Europe)
ADA1021	Kit to convert to pull side
ADA1024	Kit to convert to push side
ADA1008	Wireless wall switch transmitter (circuit board only)
ADA1015C	Door cord WIM
ADA1025P	24VDC power supply, WIM, and mounted sensor

5800 SERIES

LOW ENERGY POWER OPERATORS

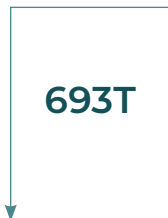
HOW TO ORDER

Specify Kit and Finish.



KIT

See chart below



FINISHES

ANSI/BHMA (US)	Description
693T	Black Textured
689	Aluminum

Kits		Mounting		Description					
		Push	Pull	Narrow Wall Switches	Square Wall Switches	Wave-to-Open Switch	1015 Hardwire Kit	Aluminum Dress Cover	Wireless Interface Module
PRO	5831 x NPB	•		•				Δ	Δ
	5811 x NPB		•	•				Δ	Δ
	5831 x SQPB	•			•			Δ	Δ
	5811 x SQPB		•		•			Δ	Δ
Pro Plus	5833 x NPB	•		•			•	Δ	Δ
	5813 x NPB		•	•			•	Δ	Δ
	5833 x SQPB	•			•		•	Δ	Δ
	5813 x SQPB		•		•		•	Δ	Δ
PRO Complete	5845 x NPB	•	•	•			•	•	Δ
	5845 x SQPB	•	•		•		•	•	Δ
	5845 x WTO	•	•			•	•	•	Δ
	5845 x WIM	•	•				•	•	•
Custom NYC-TRD	5839-NYW	•		•				Δ	•
	5819-NYW		•	•				Δ	•

Δ Optional
• Standard

Reference:

- NPB - Narrow wall switches
- SQPB - Square wall switches
- LPB - Wall switch not included*
- WTO - Wave-to-Open switches**
- WIM - Wireless interface module**
(wall switches not included)

* Not available with NYC-TRD
** Only available for model 5845

Dimensions are in inches/mm, unless noted.