

SS1932ER



MICRO SCISSOR LIFT

COMPACT DESIGN: 31.9" overall width and 61" overall length makes it easier to navigate tighter jobsites.

CAPACITY: 500 lb platform capacity. Rated for up to 2 occupants (2 in/1 out).

MORE STANDARD FEATURES: **Perimeter lighting** provides a clear visual cue in noisy environments, the integrated **Step Deck** adds reach for overhead work, and a **leak containment system** helps maintain cleaner jobsites.

SIMPLE MANUAL BRAKE RELEASE SWITCH: Easily release the brakes by rotating the conveniently located switch at the back of the lift with the machine key.

LOW STOWED HEIGHT: A 6'7" overall height allows operators to pass through a standard door without folding rails.

SMOOTHER MOTION FOR BETTER CONTROL: Permanent magnet synchronous lift motor provides smoother motion for better control and is more efficient than other AC motors, meaning more working time between charges.



POWER

Charging protection system
Standard FLA batteries

PLATFORM

AC power to platform
Descent alarm
Emergency stop button
Horn
Motion alarm
Overload sensing system
Perimeter lighting
Proportional control
Step Deck (integrated)
Swing gate

CHASSIS

AC drive motors
Automatic braking system
Emergency descent
Emergency stop button
Flashing beacons
Hour meter
Intelligent diagnostic system
Leak containment system
Manual brake release
Over-tilt protection system
Pothole protection
Safety chock for service
Solid non-marking tires
Standard forklift pockets for transport
Swing-out component tray
Telematics ready

OPTIONS

Telematics
Available without an integrated Step Deck



LGMG NA provides an industry-leading 5-year/5,000 hour warranty on new boom lifts, scissor lifts, and vertical mast lifts, and a 3-year/3,000 hour warranty on new telehandlers with an option to purchase an extended warranty upon request.

Terms and conditions apply. Subject to LGMG's warranty policies then in effect. Please visit www.lgmgna.com/warranty for details.

SS1932ER

MICRO SCISSOR LIFT



	Imperial	Metric
Work Height Max.	24'1" / 20'9" (in/out)	7.5 m / 6.5 m (in/out)
A Platform Height-Raised	18'1" / 14'9" (in/out)	5.5 m / 4.5 m (in/out)
B Platform Length	4'6"	1.38 m
C Platform Width	2'4"	0.70 m
D Overall Length	5'1"	1.55 m
E Overall Width	31.9"	0.81m
F Overall Height	6'7"	2.0 m
G Extension Deck	2'	0.6 m
H Wheelbase	3'8"	1.13 m
Ground Clearance (Stowed/Raised)	2.4" / 0.8"	62 mm / 20 mm

PRODUCTIVITY

Max. Platform Occupancy	2 (in) / 1 (out)	
Platform Capacity	500 lb	227 kg
Platform Capacity - Extension	250 lb	113 kg
Drive Height	Full Height	
Gradeability - Stowed	25%	
Outside Turning Radius	5'	1.51 m
Inside Turning Radius	1' 1"	0.34 m
Raise/Lower Speed	35s/ 25s	
Drive Speed Stowed/Raised	2.2/ 0.3 mph	3.5/ 0.5 km/h
Max Tilt Rating Fore-Aft/Side-to-Side	3° / 1.5°	
Solid Non-Marking Tire Size	9.8"x3.1"	250 x 80 mm
Tire Contact Pressure	101 psi	699 kPa
Occupied Floor Pressure	236 psf	11.3 kPa

POWER

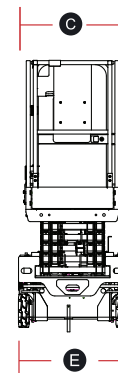
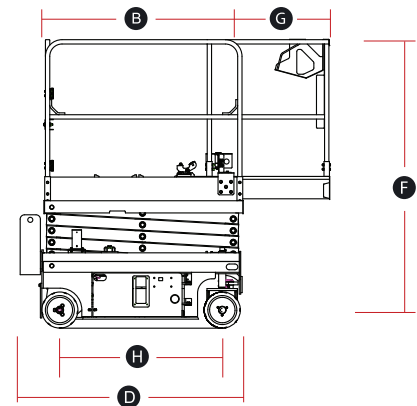
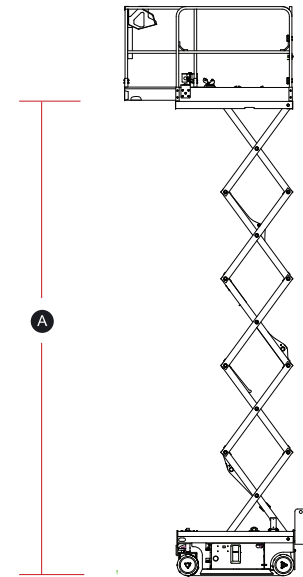
Power Source	24V (2x12V), 115Ah, FLA	
--------------	-------------------------	--

HYDRAULIC SYSTEM

Hydraulic Oil Volume	1.1 gal	4 L
----------------------	---------	-----

WEIGHT

Machine Weight	2,866 lb	1,300 kg
----------------	----------	----------



ANSI A92.20, CSA B354.6
 Please contact LGMG for more details. LGMG reserves the right to change technical data without prior notice.
 All photos and pictures in this brochure are for promotional purposes only.
 This brochure comes into effect in December, 2025.

LGMG North America Inc.

Address: 4105 Live Oak Drive, Suite 100, The Colony, Texas 75056 United States
 Email: sales@lmgna.com Tel: +1 833 288 5464

www.lmgna.com

