

Indoor	KEENOWAH12AA	Outdoor	KEENUMHP12AA
One Way Cassette Heat Pump System			
Location:		Approval:	
Engineer:		Date:	
Submitted to:		Construction:	
Submitted by:		Unit #:	
Reference:		Drawing #:	



INDOOR SPECIFICATION		
Indoor Air Flow (Turbo/H/M/L/Si) (CFM)	353.2 / 312.0 / 282.5 / 247.2 / 176.6	
Indoor Noise Level (Turbo/H/M/L/Si) (dBA)	41 / 41 / 37 / 33 / 24	
Dimension (W×D×H)	inch	50.31 x 13.19 x 8.98
	mm	1278.0 x 335.0 x 228.0
Package (W×D×H)	inch	57.60 x 22.48 x 22.64
	mm	1463 x 571 x 575
Net/Gross Weight	lbs	45.19 / 82.45
	kg	20.5 / 37.4

OUTDOOR SPECIFICATION		
Compressor Type	ROTARY	
Compressor Model	KTN110D42UFZ	
Refrigerant	R454B	
Refrigerant Oil Charge (mL)	350	
Refrigerant Oil	VG74	
Outdoor Air Flow (Max) (CFM)	1471.5	
Outdoor Noise Level (dBA)	56	
Dimension (W×D×H)	inch	31.69 x 12.99 x 21.81
	mm	805.0 x 330.0 x 554.0
Package (W×D×H)	inch	36.02 x 14.57 x 24.21
	mm	915 x 370 x 615
Net/Gross Weight	lbs	72.75 / 78.70
	kg	33 / 35.7

EFFICIENCY			
Cooling		Heating	
SEER2	23	HSPF2-4	10.0
EER2	13	COP	3.56

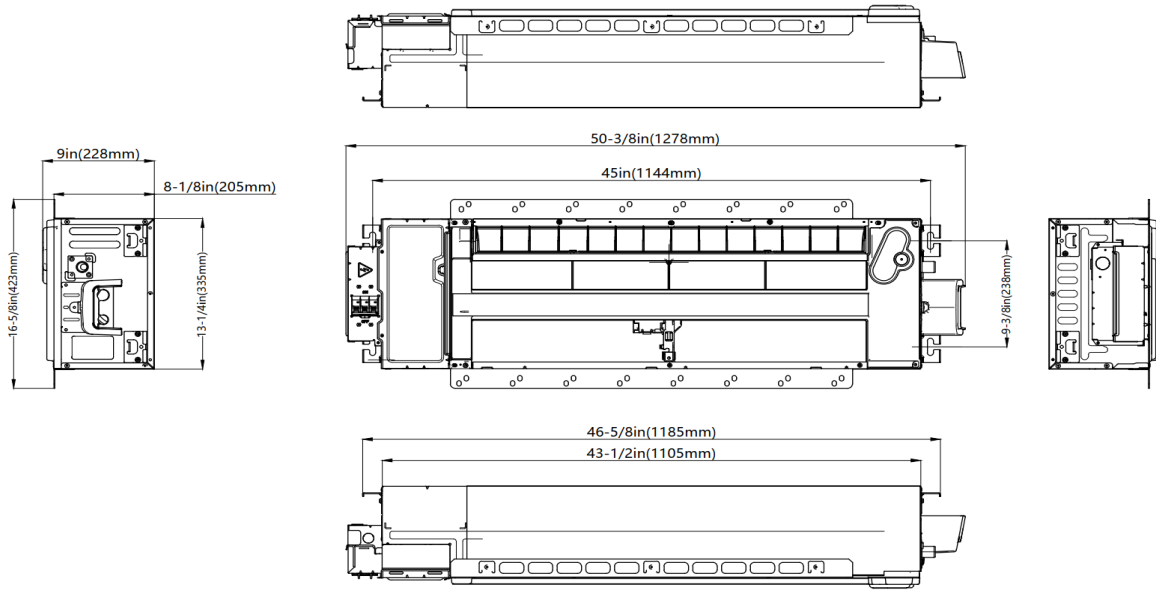
PERFORMANCE of Cooling	
Cooling (Btu/hr)	
Rated Capacity	12000
Min/Max Capacity	4000 ~ 13900
Moisture Removal (L/h)	1.69
Standard Operating Range (°F/°C)	-22 ~ 122 (-30 ~ 50)
Conditions:	Indoor: 80°F DB / 67°F WB Outdoor: 95°F DB / 75°F WB

PERFORMANCE of Heating	
Heating (Btu/hr)	
1. @ 47°F Rated	12500
1. @ 47°F Min/Max Capacity	4600 ~ 15200
2. @ 17°F Rated	9600
3. @ 5°F Rated: Capacity / COP	11500 / 2.0
3. @ 5°F Max: Capacity	11500
Standard Operating Range (°F/°C)	-22 ~ 75 (-30 ~ 24)
1. Conditions:	Indoor: 70°F DB / 60°F WB Outdoor: 47°F DB / 43°F WB
2. Conditions:	Indoor: 70°F DB / 60°F WB Outdoor: 17°F DB / 15°F WB
3. Conditions:	Indoor: 70°F DB / 60°F WB Outdoor: 5°F DB / 5°F WB

ELECTRICAL	
Power Supply	208/230V, 60Hz, 1Ph
System MCA	15.00
Connection Wiring	14#x4
System MOCP	15
Compressor RLA	11.6
Outdoor Fan Motor RLA	0.5
Outdoor Fan Motor W	34
Indoor Fan Motor RLA	1.0
Indoor Fan Motor W	30
System Power Input @ Cooling (W)	923 (147 ~ 1230)
System Power Input @ Heating (W)	1030 (362 ~ 1377)
MCA: Min. circuit amps (A)	MOCP: Max. over current protection (A)
RLA: Rated load amps (A)	W: Fan motor rated output (W)

PIPING	
Throttle type (Indoor)	N/A
Throttle type (Outdoor)	EXV
Liquid Size	6.35mm (1/4in)
Gas Size	9.52mm (3/8in)
Max. Piping Length (ft/m)	82.02 (25)
Max. Height Difference (ft/m)	49.21 (15)
Max. Pre-charged Length (ft/m)	24.6 (7.5)
Refrigerant Pre-charged Amount (oz/kg)	35.27 (1.00)
Additional Charge of Refrigerant (oz/ft) / (g/m)	0.16 (15)
Connection Method	Flared

Indoor Unit Dimension

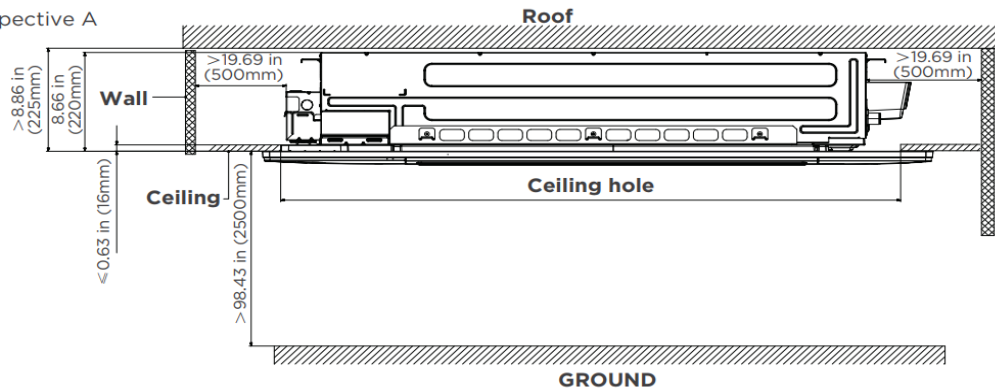


Installation Instruction

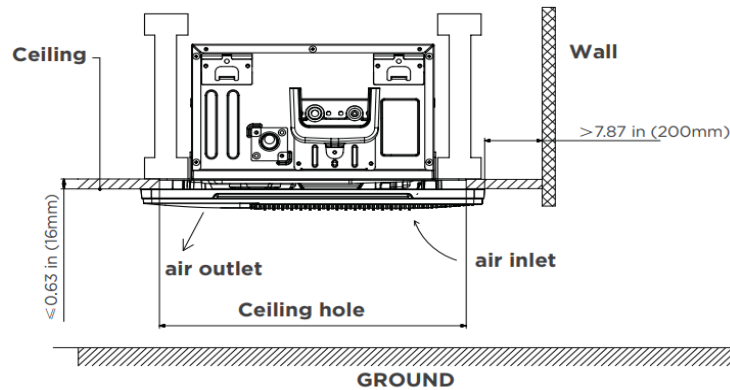
Installation place

(unit: inch/mm)

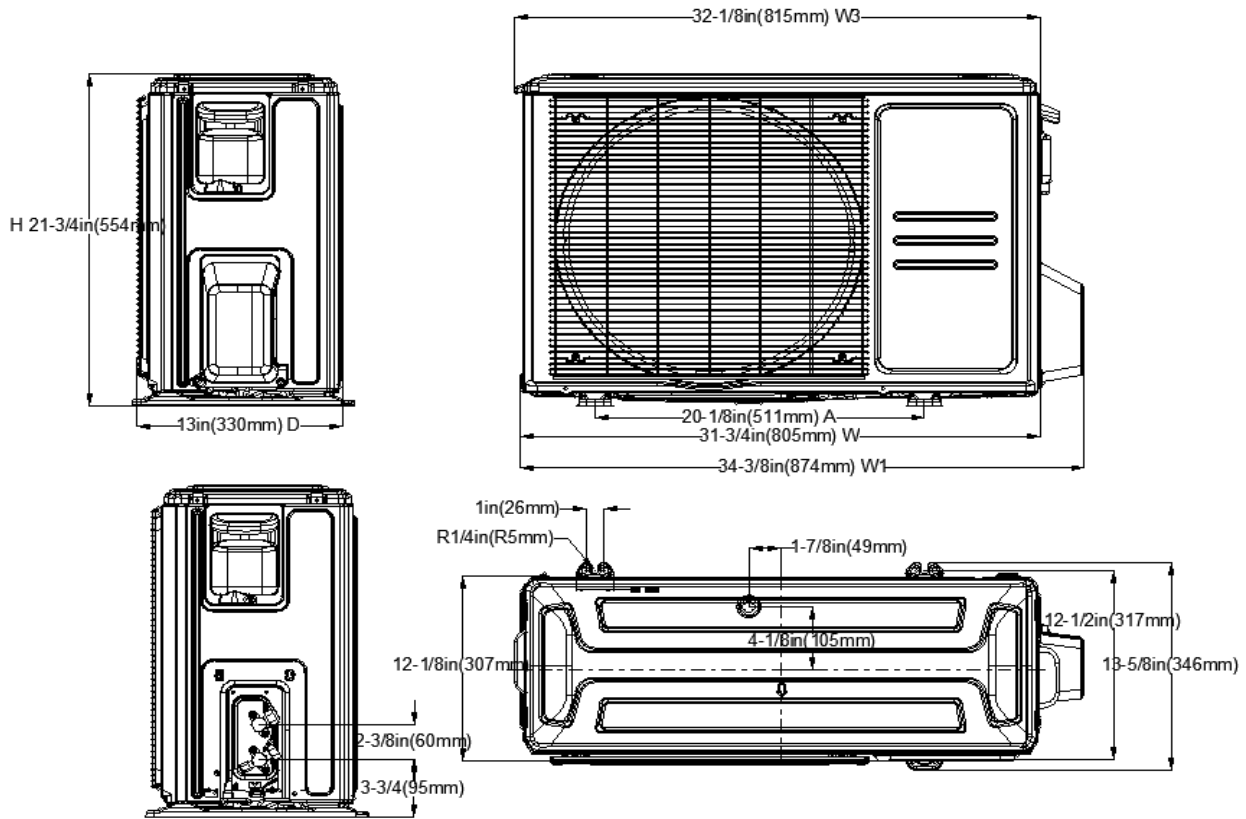
Perspective A



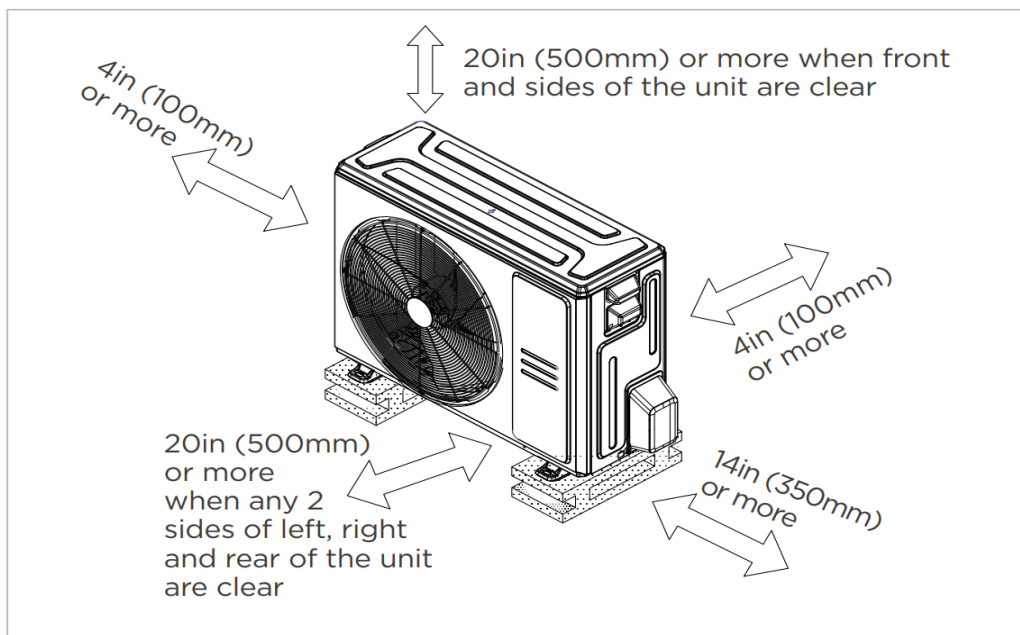
Perspective B



Outdoor Unit Dimension



Installation Instruction



Meets all spatial requirements shown in Installation Clearance Requirements above.