

Outdoor KEENHYZHP55AA

Multi Zone Heat Pump System	
Location:	Approval:
Engineer:	Date:
Submitted to:	Construction:
Submitted by:	Unit #:
Reference:	Drawing #:



OUTDOOR SPECIFICATION		
Compressor Type	TWIN-ROTARY	
Compressor Model	EKPQ440D1UMUB	
Refrigerant	R454B	
Refrigerant Oil Charge (mL)	1300	
Refrigerant Oil	VG75	
Outdoor Air Flow (Max) (CFM)	4503	
Outdoor Noise Level (dBA)	65	
Dimension (WxDxH)	inch	37.48 x 16.34 x 52.48
	mm	952 x 415 x 1333
Package (WxDxH)	inch	43.11 x 19.49 x 58.27
	mm	1095 x 495 x 1480
Net/Gross Weight	lbs	246.47 / 276.68
	kg	111.8 / 125.5

EFFICIENCY			
Cooling		Heating	
SEER2	21.4	HSPF2-4	10.6
EER2	12	COP	3.5

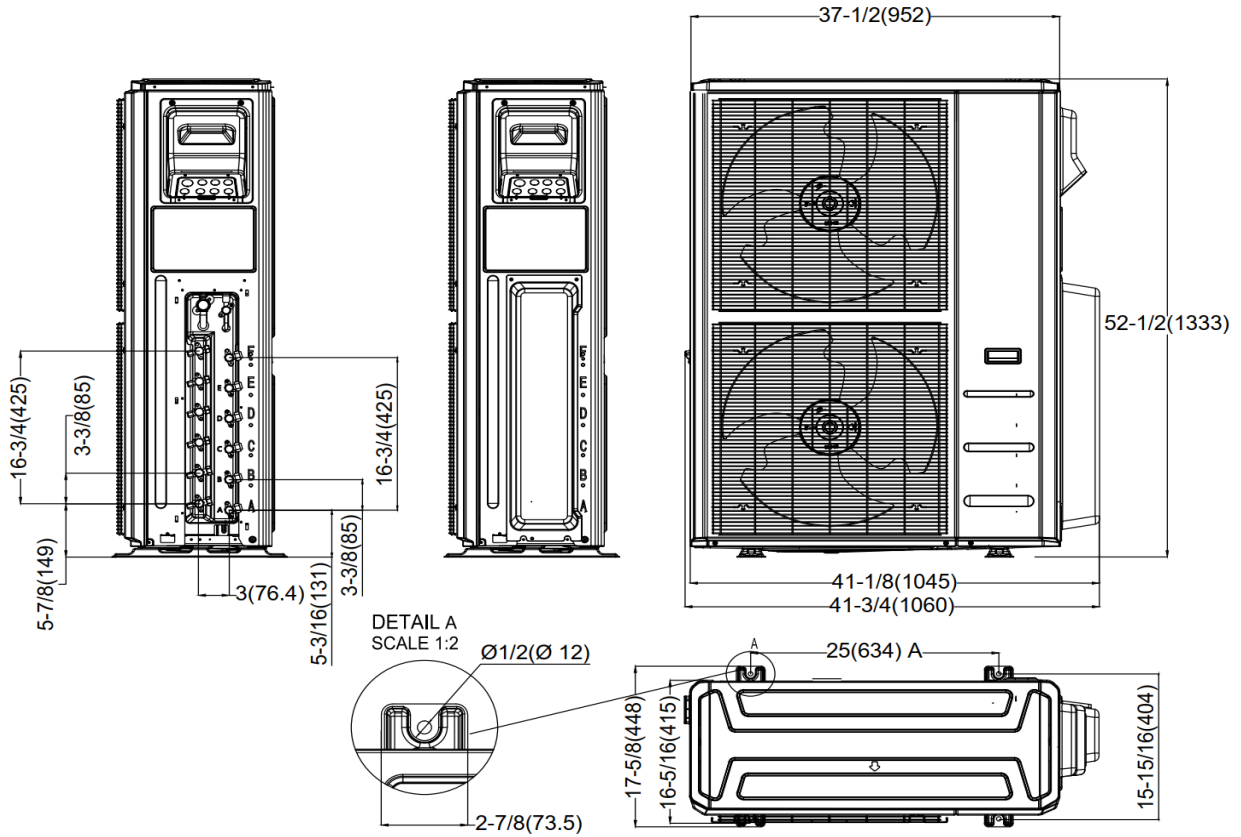
ELECTRICAL	
Power Supply	208/230V, 60Hz, 1Ph
System MCA	43
Connection Wiring	AWG 14-4
System MOCP	45
Compressor RLA	28
Outdoor Fan Motor RLA	2.5
Outdoor Fan Motor W	85
Indoor Fan Motor RLA	/
Indoor Fan Motor W	/
System Power Input @ Cooling (W)	4250 / (1200 ~ 5400)
System Power Input @ Heating (W)	4605 / (1200 ~ 5200)
MCA: Min. circuit amps (A)	MOCP: Max. over current protection (A)
RLA: Rated load amps (A)	W: Fan motor rated output (W)

PERFORMANCE of Cooling	
Cooling (Btu/hr)	
Rated Capacity	51000
Min/Max Capacity	19000 ~ 59000
Moisture Removal (L/h)	2.5
Standard Operating Range (°F/°C)	-22 ~ 122 / (-30 ~ 50)
Rated Cooling Conditions:	Indoor: 80°F DB / 67°F WB Outdoor: 95°F DB / 75°F WB

PIPING	
Liquid Size	6 x 6.35mm (6 x 1/4in)
Gas Size	4 x 9.52mm + 2 x 12.7mm (4 x 3/8in + 2 x 1/2in)
Max. Piping Length for all rooms (ft/m)	262.4 / (80)
Max. Piping Length for one IDU (ft/m)	114.8 / (35)
Max. Height Difference of IDU and ODU (ft/m)	49.2 / (15)
Refrigerant Pre-charged Amount (oz/kg)	151.68 / (4.3)
Refrigerant Precharge Length (ft/m)	24.6 (7.5) x 6
Additional Charge of Refrigerant (Ø6.35 (1/4") liquid pipe) ((oz/ft) / (g/m))	0.16 / (15)
Additional Charge of Refrigerant (Ø9.52 (3/8") liquid pipe) ((oz/ft) / (g/m))	0.32 (30)
Connection Method	Flared

PERFORMANCE of Heating	
Heating (Btu/hr)	
1. @ 47°F Rated	55000
1. @ 47°F Min/Max Capacity	20000 ~ 59000
2. @ 17°F Rated (H32)	44000
3. @ 5°F Rated: Capacity / COP (H42)	47000 / 2
3. @ 5°F Max: Capacity	48000
Standard Operating Range (°F/°C)	-22 ~ 75 / (-30 ~ 24)
1. Conditions:	Indoor: 70°F DB / 60°F WB Outdoor: 47°F DB / 43°F WB
2. Conditions:	Indoor: 70°F DB / 60°F WB Outdoor: 17°F DB / 15°F WB
3. Conditions	Indoor: 70°F DB / 60°F WB Outdoor: 5°F DB / 5°F WB

Outdoor Unit Dimension



Installation Instruction

