

Outdoor KEENHYZHP36AA

Multi Zone Heat Pump System	
Location:	Approval:
Engineer:	Date:
Submitted to:	Construction:
Submitted by:	Unit #:
Reference:	Drawing #:



EFFICIENCY			
Cooling		Heating	
SEER2	21.5	HSPF2-4	11.3
EER2	12.2	COP	4.0

PERFORMANCE of Cooling	
Cooling (Btu/hr)	
Rated Capacity	36000
Min/Max Capacity	9000 ~ 43000
Moisture Removal (L/h)	2
Standard Operating Range (*F/C)	-22 ~ 122 / (-30 ~ 50)
Rated Cooling Conditions:	Indoor: 80°F DB / 67°F WB Outdoor: 95°F DB / 75°F WB

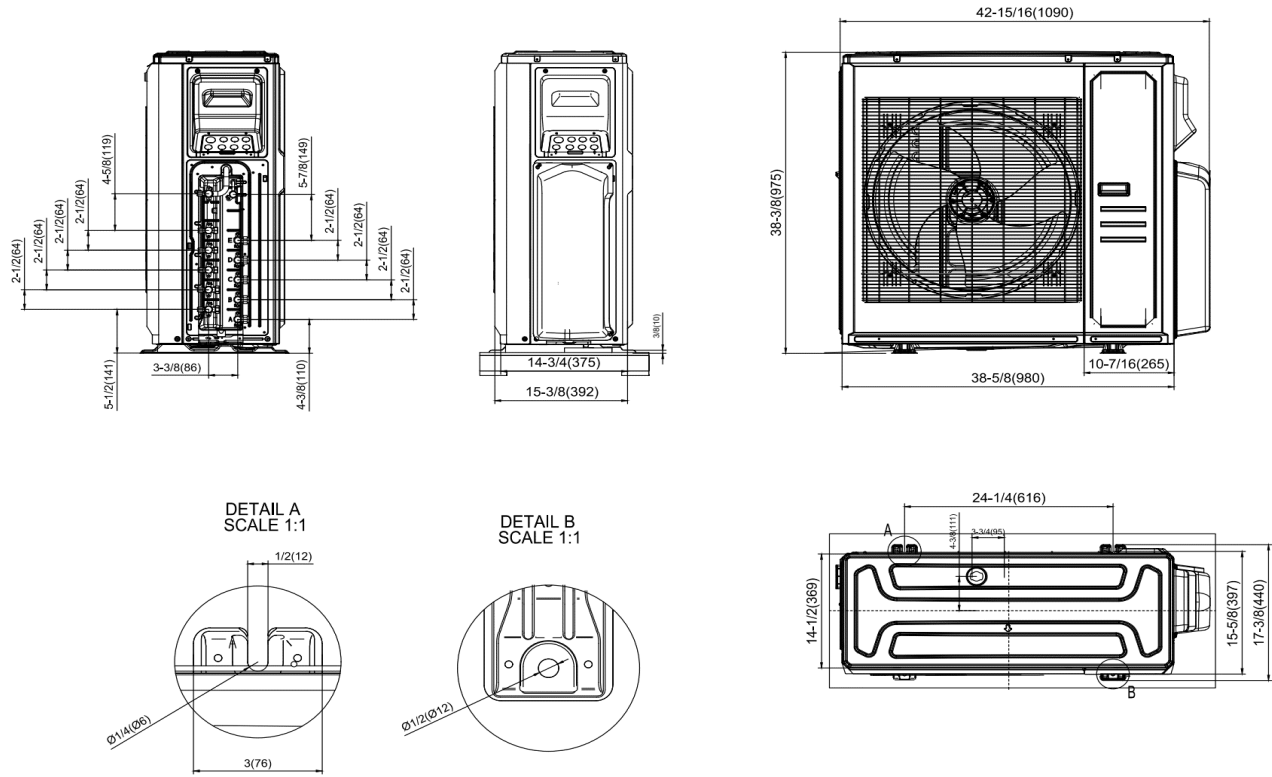
PERFORMANCE of Heating	
Heating (Btu/hr)	
1. @ 47°F Rated	36000
1. @ 47°F Min/Max Capacity	10000 ~ 44000
2. @ 17°F Rated (H32)	30000
3. @ 5°F Rated: Capacity / COP (H42)	36000 / 1.9
3. @ 5°F Max: Capacity	37000
Standard Operating Range (*F/C)	-22 ~ 75 / (-30 ~ 24)
1. Conditions:	Indoor: 70°F DB / 60°F WB Outdoor: 47°F DB / 43°F WB
2. Conditions:	Indoor: 70°F DB / 60°F WB Outdoor: 17°F DB / 15°F WB
3. Conditions:	Indoor: 70°F DB / 60°F WB Outdoor: 5°F DB / 5°F WB

OUTDOOR SPECIFICATION		
Compressor Type	TWIN-ROTARY	
Compressor Model	EKPQ420D1UMUA	
Refrigerant	R454B	
Refrigerant Oil Charge (mL)	1460	
Refrigerant Oil	VG75	
Outdoor Air Flow (Max) (CFM)	3037	
Outdoor Noise Level (dBA)	65	
Dimension (WxDxH)	inch	38.58 x 16.34 x 38.39
	mm	980 x 415 x 975
Package (WxDxH)	inch	45.08 x 19.68 x 42.52
	mm	1145 x 500 x 1080
Net/Gross Weight	lbs	211.86 / 244.71
	kg	96.1 / 111

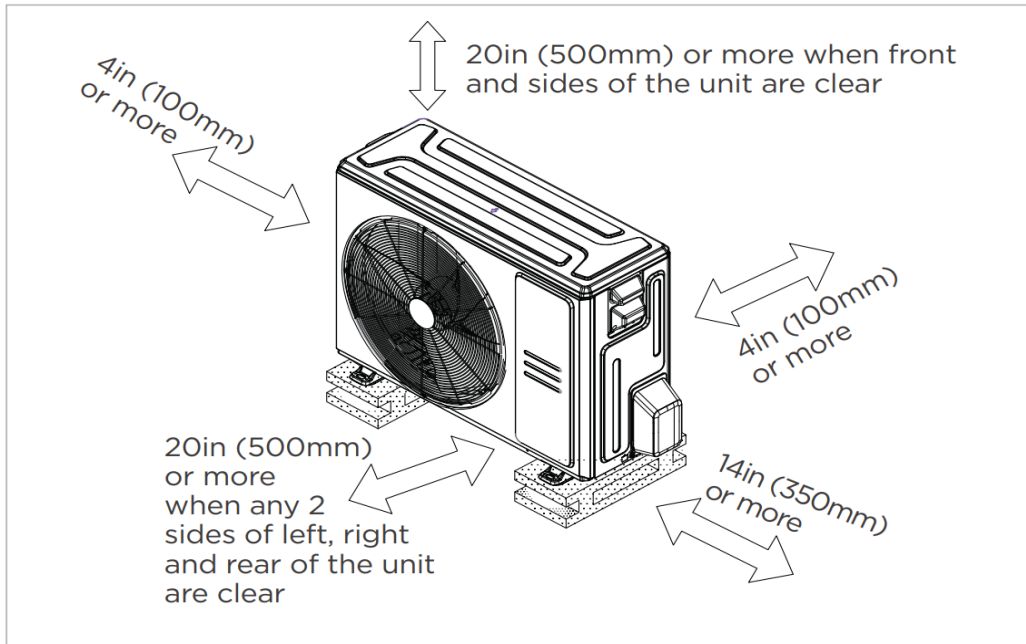
ELECTRICAL	
Power Supply	208/230V, 60Hz, 1Ph
System MCA	37
Connection Wiring	AWG 14-4
System MOCP	40
Compressor RLA	20.5
Outdoor Fan Motor RLA	2.6
Outdoor Fan Motor W	250
Indoor Fan Motor RLA	/
Indoor Fan Motor W	/
System Power Input @ Cooling (W)	2750 / (600 ~ 4000)
System Power Input @ Heating (W)	2638 / (600 ~ 3750)
MCA: Min. circuit amps (A)	MOCP: Max. over current protection (A)
RLA: Rated load amps (A)	W: Fan motor rated output (W)

PIPING	
Liquid Size	5 x 6.35mm (5 x 1/4in)
Gas Size	3 x 9.52mm + 2 x 12.7mm (3 x 3/8in + 2 x 1/2in)
Max. Piping Length for all rooms (ft/m)	262.4 / (80)
Max. Piping Length for one IDU (ft/m)	114.8 / (35)
Max. Height Difference of IDU and ODU (ft/m)	49.2 / (15)
Refrigerant Pre-charged Amount (oz/kg)	134.04 / (3.8)
Refrigerant Precharge Length (ft/m)	24.6 (7.5) x 5
Additional Charge of Refrigerant (Φ6.35 (1/4") liquid pipe) ((oz/ft) / (g/m))	0.16 / (15)
Additional Charge of Refrigerant (Φ9.52 (3/8") liquid pipe) ((oz/ft) / (g/m))	0.32 (30)
Connection Method	Flared

Outdoor Unit Dimension



Installation Instruction



Meets all spatial requirements shown in Installation Clearance Requirements above.