

Outdoor KEENHYZHP20AA

Multi Zone Heat Pump System	
Location:	Approval:
Engineer:	Date:
Submitted to:	Construction:
Submitted by:	Unit #:
Reference:	Drawing #:



OUTDOOR SPECIFICATION		
Compressor Type	ROTARY	
Compressor Model	KTM240D46UKT2	
Refrigerant	R454B	
Refrigerant Oil Charge (mL)	620	
Refrigerant Oil	VG74	
Outdoor Air Flow (Max) (CFM)	2131	
Outdoor Noise Level (dBA)	61.5	
Dimension (WxDxH)	inch	37.24 x 16.14 x 31.89
	mm	946 x 410 x 810
Package (WxDxH)	inch	42.91 x 19.68 x 34.84
	mm	1090 x 500 x 885
Net/Gross Weight	lbs	137.35 / 148.15
	kg	62.3 / 67.2

EFFICIENCY			
Cooling		Heating	
SEER2	21.0	HSPF2-4	10.0
EER2	13	COP	4.0

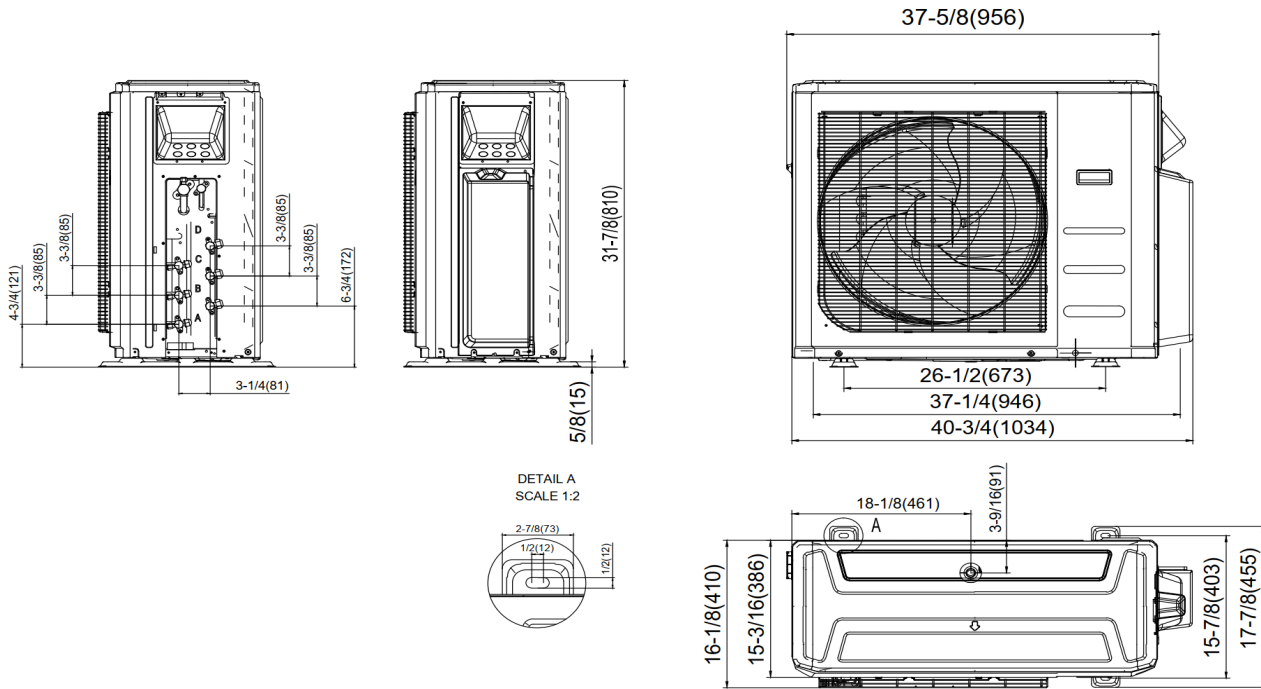
ELECTRICAL	
Power Supply	208/230V, 60Hz, 1Ph
System MCA	17.5
Connection Wiring	AWG 14-4
System MOCP	20
Compressor RLA	9.2
Outdoor Fan Motor RLA	1.2
Outdoor Fan Motor W	120
Indoor Fan Motor RLA	/
Indoor Fan Motor W	/
System Power Input @ Cooling (W)	1265 / (400 ~ 2250)
System Power Input @ Heating (W)	1465 / (350 ~ 2300)
MCA: Min. circuit amps (A) MOCP: Max. over current protection (A)	
RLA: Rated load amps (A) W: Fan motor rated output (W)	

PERFORMANCE of Cooling	
Cooling (Btu/hr)	
Rated Capacity	19000
Min/Max Capacity	5400 ~ 28000
Moisture Removal (L/h)	0
Standard Operating Range (°F/°C)	-22 ~ 122 / (-30 ~ 50)
Rated Cooling Conditions:	Indoor: 80°F DB / 67°F WB Outdoor: 95°F DB / 75°F WB

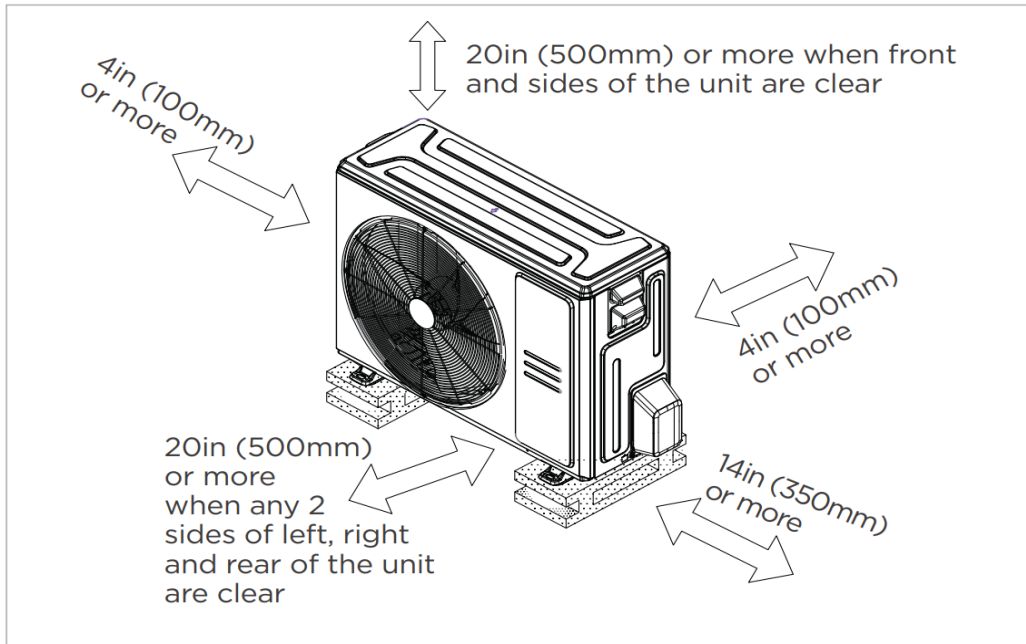
PIPING	
Liquid Size	3 x 6.35mm (3 x 1/4in)
Gas Size	3 x 9.52mm (3 x 3/8in)
Max. Piping Length for all rooms (ft/m)	196.8 / (60)
Max. Piping Length for one IDU (ft/m)	98.4 / (30)
Max. Height Difference of IDU and ODU (ft/m)	49.2 / (15)
Refrigerant Pre-charged Amount (oz/kg)	78.31 / (2.22)
Refrigerant Precharge Length (ft/m)	24.6 (7.5) x 3
Additional Charge of Refrigerant (Φ6.35 (1/4") liquid pipe) ((oz/ft) / (g/m))	0.16 / (15)
Additional Charge of Refrigerant (Φ9.52 (3/8") liquid pipe) ((oz/ft) / (g/m))	0.32 (30)
Connection Method	Flared

PERFORMANCE of Heating	
Heating (Btu/hr)	
1. @ 47°F Rated	20000
1. @ 47°F Min/Max Capacity	5700 ~ 27000
2. @ 17°F Rated (H32)	17600
3. @ 5°F Rated: Capacity / COP (H42)	19000 / 2
3. @ 5°F Max: Capacity	18000
Standard Operating Range (°F/°C)	-22 ~ 75 / (-30 ~ 24)
1. Conditions:	Indoor: 70°F DB / 60°F WB Outdoor: 47°F DB / 43°F WB
2. Conditions:	Indoor: 70°F DB / 60°F WB Outdoor: 17°F DB / 15°F WB
3. Conditions:	Indoor: 70°F DB / 60°F WB Outdoor: 5°F DB / 5°F WB

Outdoor Unit Dimension



Installation Instruction



Meets all spatial requirements shown in Installation Clearance Requirements above.