

Indoor KEENHYMAH612A
Outdoor KEENHYMHP06AA
High Wall Heat Pump System

Location:	Approval:
Engineer:	Date:
Submitted to:	Construction:
Submitted by:	Unit #:
Reference:	Drawing #:


INDOOR SPECIFICATION

Indoor Air Flow (Turbo/H/M/L/Si) (CFM)	559.2 / 423.8 / 211.9 / 153.0 / 153.0	
Indoor Noise Level (Turbo/H/M/L/Si) (dBA)	41.5 / 41.5 / 33 / 23 / 19	
Dimension (WxDxH)	inch	40.06 x 9.72 x 12.60
	mm	1017.4 x 248 x 319
Package (WxDxH)	inch	43.11 x 12.80 x 15.75
	mm	1095 x 325 x 400
Net/Gross Weight	lbs	28.22 / 36.82
	kg	12.8 / 16.7

OUTDOOR SPECIFICATION

Compressor Type	ROTARY	
Compressor Model	KTM110D79UFZA3	
Refrigerant	R454B	
Refrigerant Oil Charge (mL)	500	
Refrigerant Oil	VG74	
Outdoor Air Flow (Max) (CFM)	1470.6	
Outdoor Noise Level (dBA)	57.0	
Dimension (WxDxH)	inch	35.04 x 13.46 x 26.50
	mm	890.0 x 342.0 x 673.0
Package (WxDxH)	inch	39.17 x 15.67 x 29.13
	mm	995 x 398 x 740
Net/Gross Weight	lbs	99.65 / 107.80
	kg	45.2 / 48.9

EFFICIENCY

Cooling		Heating	
SEER2	33.3	HSPF2-4	14.6
EER2	17.0	COP	3.60

PERFORMANCE of Cooling
Cooling (Btu/hr)

Rated Capacity	9000
Min/Max Capacity	3100 ~ 16500
Moisture Removal (L/h)	0.5
Standard Operating Range (*F/C)	-22 ~ 122 (-30 ~ 50)
Conditions:	Indoor: 80°F DB / 67°F WB Outdoor: 95°F DB / 75°F WB

PERFORMANCE of Heating
Heating (Btu/hr)

1. @ 47°F Rated	12000
1. @ 47°F Min/Max Capacity	4100 ~ 17200
2. @ 17°F Rated	11000
3. @ 5°F Rated: Capacity / COP	13500 / 2.00
3. @ 5°F Max: Capacity	13500
Standard Operating Range (*F/C)	-22 ~ 75 (-30 ~ 24)
1. Conditions:	Indoor: 70°F DB / 60°F WB Outdoor: 47°F DB / 43°F WB
2. Conditions:	Indoor: 70°F DB / 60°F WB Outdoor: 17°F DB / 15°F WB
3. Conditions:	Indoor: 70°F DB / 60°F WB Outdoor: 5°F DB / 5°F WB

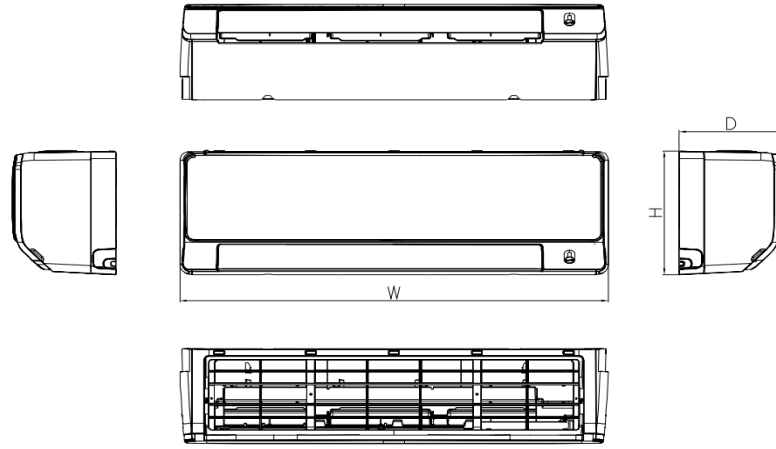
ELECTRICAL

Power Supply	208/230V, 60Hz, 1Ph
System MCA	16.0
Connection Wiring	14#x4
System MOCP	20
Compressor RLA	11.6
Outdoor Fan Motor RLA	0.7
Outdoor Fan Motor W	80
Indoor Fan Motor RLA	0.7
Indoor Fan Motor W	60
System Power Input @ Cooling (W)	529 (180 ~ 1380)
System Power Input @ Heating (W)	977 (200 ~ 1585)
MCA: Min. circuit amps (A)	MOCP: Max. over current protection (A)
RLA: Rated load amps (A)	W: Fan motor rated output (W)

PIPING

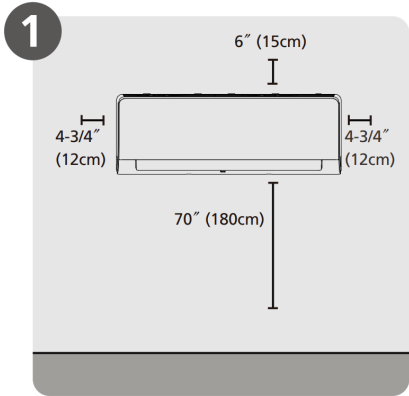
Throttle Type (Indoor)	N/A
Throttle Type (Outdoor)	EXV
Liquid Size	6.35mm (1/4in)
Gas Size	9.52mm (3/8in)
Max. Piping Length (ft/m)	82.00 (25)
Max. Height Difference (ft/m)	49.20 (15)
Max. Pre-charged Length (ft/m)	24.6 (7.5)
Refrigerant Pre-charged Amount (oz/g)	44.09 (1.25)
Additional Charge of Refrigerant ((oz/ft) / (g/m))	0.16 (15)
Connection Method	Flared

Indoor Unit Dimension

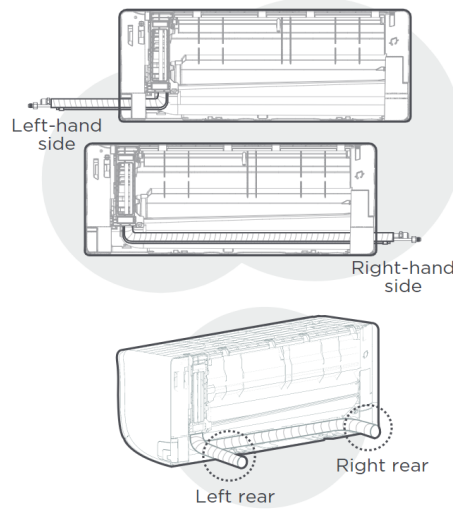


Capacity	Body Code	Unit	W	D	H
6k~12k	C	mm	1017	248	319
		inch	40	9-3/4	12-1/2
18k	D	mm	1190	285	371
		inch	46-7/8	11-1/4	14-5/8

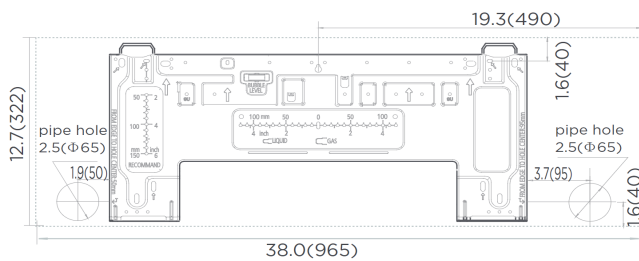
Installation Instruction



Select Installation Location

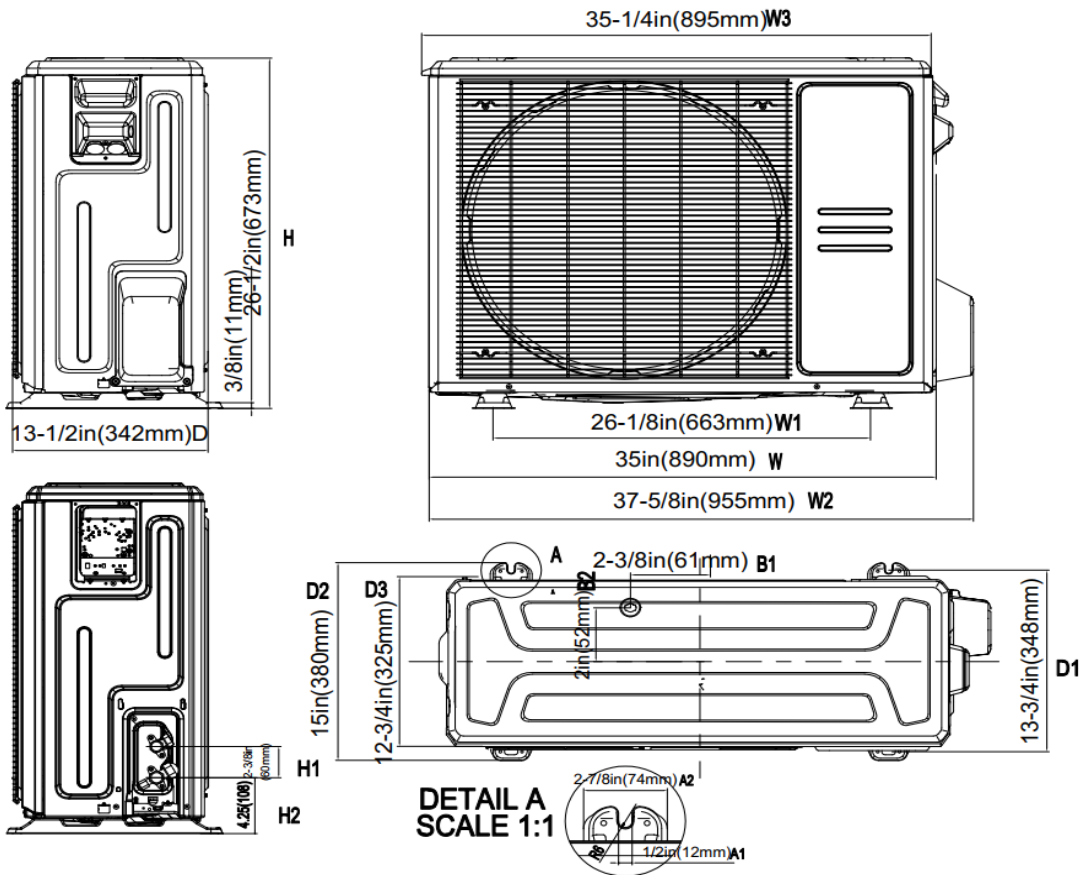


NOTE:
Based on the position of the wall hole relative to the mounting plate, choose the side from which the piping will exit the unit. You have four options for the exit direction of the piping.

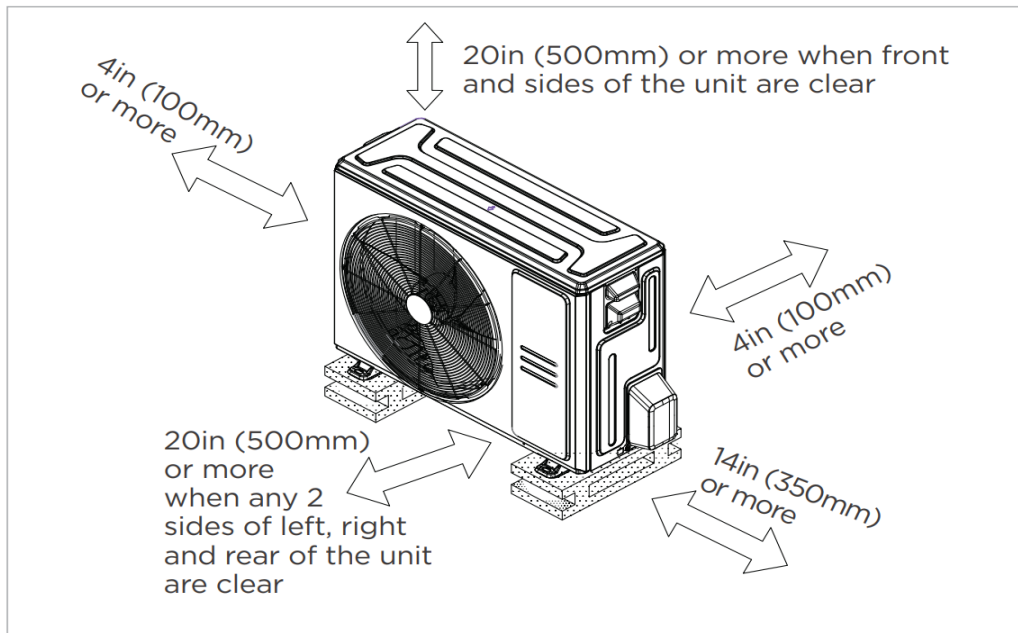


NOTE:
When the gas side connective pipe is Φ (5/8in)16mm or more, the wall hole should be (3-1/2in)90mm.

Outdoor Unit Dimension



Installation Instruction



Meets all spatial requirements shown in Installation Clearance Requirements above.