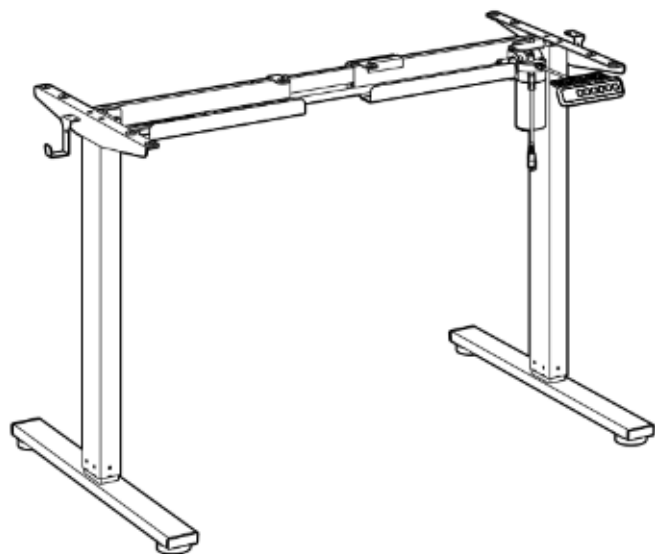


CFD #2S-1M  
**\$375.00**  
Base Only!



Single Motor 2-Leg Table Base

#### Technical Data

Column stage	2
Max. Load Capacity	154 lbs (With hook, hook load capacity 11 lbs)
Stretching Range	35.8"-58.7"
Max. Speed	0.79"/s
Lowest Height	28.3"
Highest Height	45.9"
Applicable Tabletop Size	Length: 39.4"-63.0" Width: 19.7"-31.5" Thickness: > 0.71"