

HYPERION[®]

F E N C I N G



Contact us at any point

Take the stress off; the experts at EnviroBuild can assist you with **any part of your project**, so please don't hesitate to give us call.

We can help with anything from **free product estimation** to putting you in touch with **trusted installers**.

✉ ie-info@envirobuild.com

Trade pricing available

Work in the trade? You can use our competitive trade discounts to pass along savings to your customers. Fill out our form, which can be found on our site at

ie.envirobuild.com/trade-discount

Contents

- Hyperion Fencing** 4
 - Detail 6
 - Specifications & Finishes 8
 - Fence Trellis 12
 - Fence Gates 13
 - Installation Overview 14
 - Gallery 16
- Other Information** 20
 - Testimonials & Reviews 20
 - Case Studies 22
 - Sustainability & Our Impact 26
 - Your Next Steps 30

The Fencing Collection

HYPERION[®]

F E N C I N G

Low-maintenance, high-performance.

The innovative fencing system is made from recycled and sustainable material that does not splinter, rot, warp, or even need any treating; you'll save every year over standard wood products.

Classic



Stone



Oak



Walnut



Silver Birch



Granite

The combined strengths of wood and plastic, from recycled sources.

Up to
87%

Recycled
Material

Slatted



Cedar



Grey Ash



Onyx Black



Balau

Explore the details



Relax and enjoy for generations to come

With a **highly durable, low maintenance** fence that can stand the test of time.



Order worry-free

With a **15-year warranty**, we're confident it's built to last.



Feel secure with our wind warranty

Warrantied in winds up to 70 mph, making it a market leader in durability.



Save precious time

With our easy-to-use **hidden clip system**.



Enjoy the look of wood, without the compromises

Hyperion Fencing contains **FSC® 100% certified wood**, ensuring sustainably managed forests. This is combined with recycled plastic for a robust finish.



Enjoy the colour for longer

Knowing no paint or treatments will be needed, with **UV stabilisers** within the board **protecting against sun damage**.

Pictured
Walnut Classic (*left*), Onyx Black Slatted (*right*)

Classic fence specification



Description

Low-maintenance, high durability and a 15-year warranty covering 70 mph winds, Hyperion Fencing will save you time and money over standard wood products.

Full kit includes:

- 12x Panels
- 1x Panel cap
- 2x Panel cap clips
- 1x Post (inc. 2 inserts)
- 1x Post cap

Make planning simple with our calculators



Calculate

Dimensions	1870 x 1870 mm fence section (162 x 19 mm profile fence slats)
Warranty	15 year residential 10 year commercial
Material	57% FSC® certified wood powder 30% recycled HDPE 13% stone powder and additives
Detail	Brushed effect fence boards with tongue and groove profile
Sustainability	Made with 100% renewable energy and 87% recycled materials

Your choice of aesthetic

Your choice of height and finish.

Customise your fence with **contrasting caps and posts** and top it off with a **fence trellis**.

Full Fence Kit



Ground Anchor Options



Soft-ground anchor



Hard-ground bolt-down stand

- Provides a strong and secure fence post support
- For high wind areas we recommend soft-ground anchor

Reusing Existing Posts



Retrofit Channel



- Aluminium channel attaches to any existing post
- Fence panels slot straight in
- Granite or Walnut channels available

Slatted fence specification



Description

Low-maintenance, high durability and a 15-year warranty covering 70 mph winds, Hyperion Fencing will save you time and money over standard wood products.

Full kit includes:

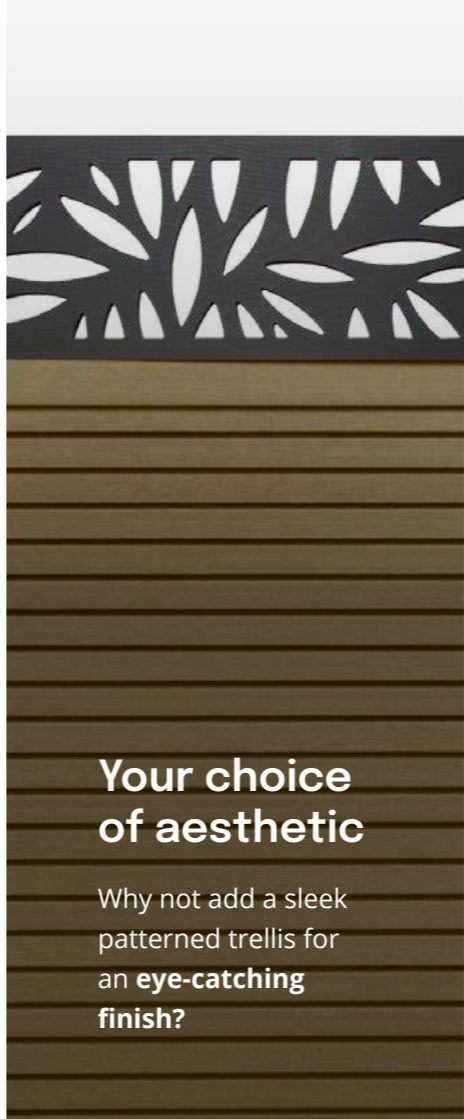
- 12x Panels
- 1x Panel cap
- 2x Panel cap clips
- 1x Post (inc. 2 inserts)
- 1x Post cap

Make planning simple with our calculators



Calculate

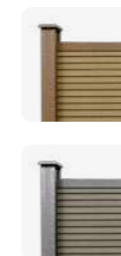
Dimensions	1870 x 1780 mm fence section (151 x 18 mm profile fence slats)
Warranty	15 year residential 10 year commercial
Material	57% FSC® certified wood powder 30% recycled HDPE 13% stone powder and additives
Detail	Slatted and brushed effect fence boards with tongue and groove profile
Sustainability	Made with 100% renewable energy and 87% recycled materials



Your choice of aesthetic

Why not add a sleek patterned trellis for an **eye-catching finish?**

Full Fence Kit



Ground Anchor Options



Soft-ground anchor



Hard-ground bolt-down stand

- Provides a strong and secure fence post support
- For high wind areas we recommend soft-ground anchor

Reusing Existing Posts



Retrofit Channel



- Aluminium channel attaches to any existing post
- Fence panels slot straight in
- Granite or Walnut channels available

Fence trellis



Description

Available in a number of contemporary designs; add these sleek patterned trellis panels for an eye-catching finish.

Dimensions	1800 x 300 mm 18 mm thickness
-------------------	----------------------------------

Warranty	15 year residential 10 year commercial
-----------------	---

Material	Wood-plastic composite
-----------------	------------------------

Detail	Designed to fit on top of your fence. Can be bought as part of a full fence kit or a retrofit kit.
---------------	--



Fence gates



Description

A practical and long-lasting gate for your fence, made to match perfectly with EnviroBuild's composite fencing.

Dimensions	860 x 1650 mm 35 mm thickness (not including handles & lock)
-------------------	---

Warranty	15 year residential 10 year commercial
-----------------	---

Material	Aluminium frame Wood-plastic composite fence slats inside frame
-----------------	--

Detail	The hinges are designed to attach to the corner of any fence post or wall. Includes a secure lock, handle and keys.
---------------	---



Fence installation

Save precious time

With our **easy-to-use hidden clips**, everything fits into place neatly.

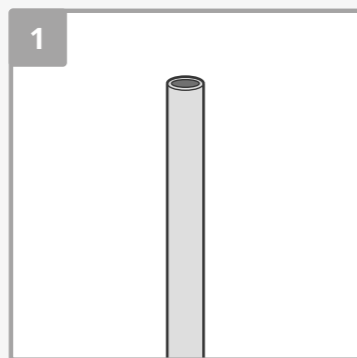
Enjoy a seamless look

EnviroBuild's **tongue-in-groove system** lets fence panels fit into place without screws.

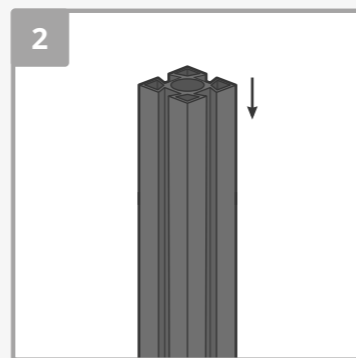


Full Guide

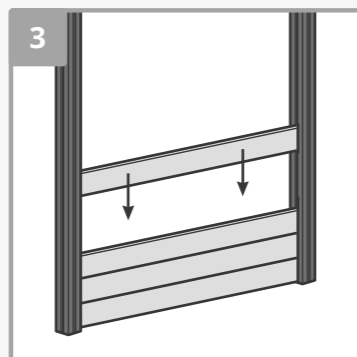
Find the full installation guide in the resource centre on our website, or simply scan the QR code.



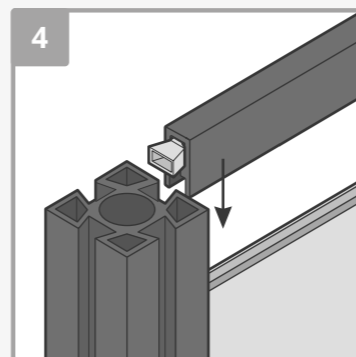
1
Cement or bolt anchors into the ground where the posts will be.



2
Slide the fence posts onto the ground anchors.



3
Slide fence panels down the post grooves onto the panel cap.



4
Finish by adding a panel cap on top of the final fencing panel.

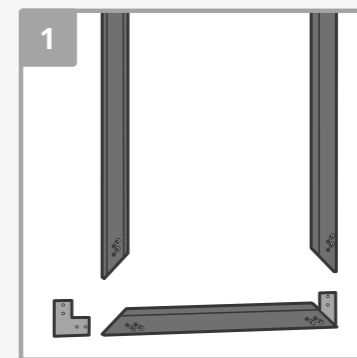
Gate installation

A simple installation

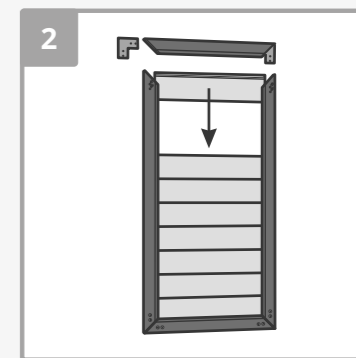
This gate system comes with **everything you need to do-it-yourself**. Surface mounted hinges make installing the gate easy, and the frame pieces come cut to length and mitred, ready to fit together.

A secure system

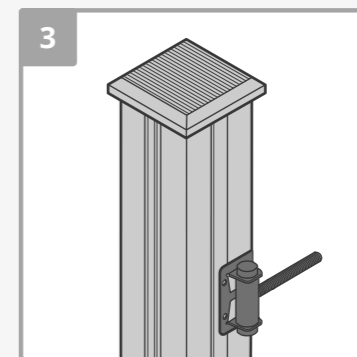
EnviroBuild fence gates come with a **heavy-duty handle and lock** to provide as much security as possible.



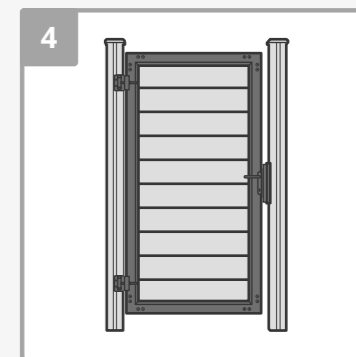
1
L-shaped plates screw into the frames and hold them together.



2
A U-shape is created with the frames and filled with fence panels.

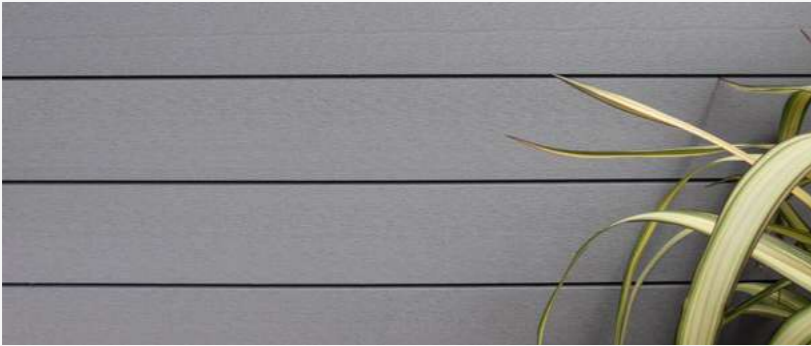


3
The post-side hinges (above) and gate-side hinges are screwed in.



4
The full gate door is lifted and pushed onto the post-side hinge.

Gallery





“

A quality fencing product, easily and **quickly installed**. Delivery was as scheduled and the quality is excellent.

I would recommend this company to all those wanting a quality **long-lasting fence** which is better than old-style wooden fence panels.

Marv, Trustpilot



We'd love your feedback

To ensure you received the very best service from EnviroBuild, please provide any feedback.



Review Now

Putting you in touch with stockists and installers

One less thing to worry about: we have an established **network of stockists** and **trusted third-party installers** located across Ireland, providing you with **locally available** expertise in EnviroBuild products.



Find a Stockist

Case Study

Oak Garden Fence

“

We're thrilled to have EnviroBuild Composite Fencing for this project. Anytime I need composite products for my garden design projects, Envirobuild is my supplier of choice.

I love the colours, the quality of the products and most importantly the fact that the composite products are made from 90% recycled material.

Katerina Kantalis, Garden Designer

Pictured: Oak Hyperion Fencing



All this, along with a strong sustainability ethos, makes this EnviroBuild collaboration for our show garden extremely exciting.



Read More



Case Study

Golf Club Fencing

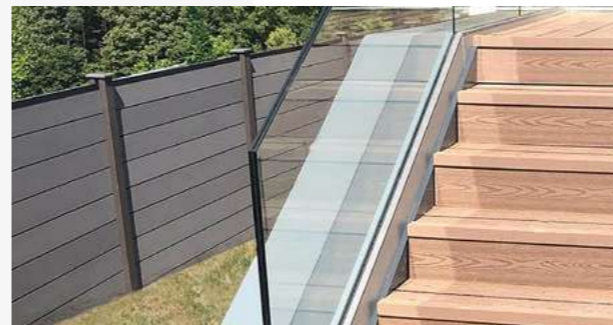
“

The members of the golf course are very pleased with their new clubhouse and we have gotten many compliments on the fencing and are impressed with the sustainability, durability and no-maintenance aspect of the fence.

It also got a very stiff test about a week after opening when a big storm hit causing lots of damage everywhere, but the fence stood up.

Tom Fitzgerald, Composite Deck

Pictured: Stone Hyperion Fencing, Walnut Decking



EnviroBuild's composite fencing was a great solution for this hospitality project, offering an elegant design whilst accommodating for bespoke heights and tight deadlines.

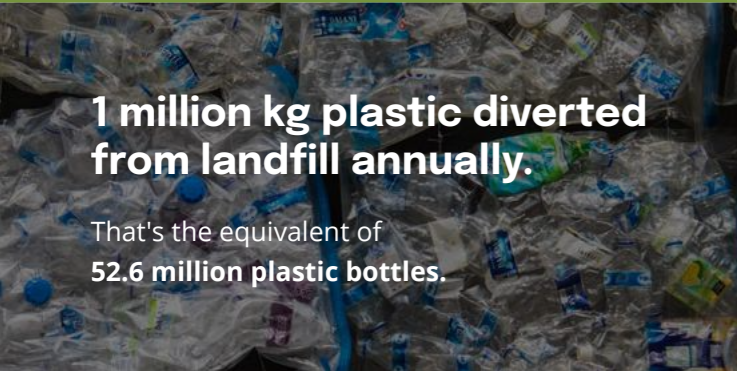


Read More



Feel confident in making the sustainable choice

We endeavour to provide the most sustainable products on the market. Here's why your purchase can make a positive impact on the environment.



1 million kg plastic diverted from landfill annually.

That's the equivalent of **52.6 million plastic bottles.**

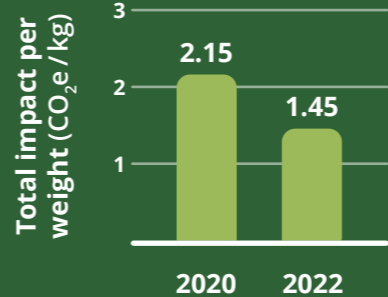
We use wind power

From 2021 EnviroBuild Composites have been manufactured using **100% renewable wind energy**. This gave EnviroBuild Composites a **carbon footprint (CO₂e) reduction of 33%**.

87% recycled material

This includes 57% FSC® certified wood powder, 30% recycled HDPE, 6% stone powder and 7% additives.

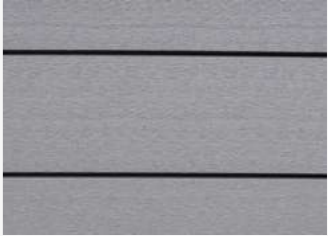
Environmental impact (CO₂e / kg) reduced 32.6% since 2020



EnviroBuild Fencing boards will produce up to **64% less CO₂e** across their lifetime than **softwood timber**.



Timber



EnviroBuild Composite

Supporting sustainable initiatives

67.5 million trees protected and counting*
*Between 2016-2023

Whilst our products are revolutionising sustainable solutions in the construction industry, this is where EnviroBuild can make a direct impact on tackling climate change.

Here you can see the direct impact we have had on some of Rainforest Trust's inspiring projects. As we grow, so does the impact we make.

We donate **10% of all profit** to sustainable causes.



10% Pledge



In partnership with



How to buy



Find a stockist or installer

Scan the link in the QR code on this page to check out our 'Find a Stockist' page.



Connect with a local merchant

Use the link to connect with EnviroBuild's Trusted Installers and local merchants.



Find a Stockist or Installer

Share your photos

Once your project is complete, why not share a photo with us by tagging us **@envirobuild**, or by sending an email to **ie-info@envirobuild.com**

More from us

HYPERION
COMPOSITES

- Decking
- Cladding

MESA
SUPPORT

- Decking Support
- Paving Support

MANTICORE

- Decking Joists
- Cladding Battens

GALLEON

- Garden Furniture
- Modular & Dining Sets



OUTDOOR PORCELAIN

- Stone Finish Slabs
- Wood Finish Slabs



FSC Trademark Licence: FSC® C146926

 Made from 100% recycled material

  @envirobuild