

# HYPERION<sup>®</sup>

C L A D D I N G



## Contact us at any point

Take the stress off; the experts at EnviroBuild can assist you with **any part of your project**, so please don't hesitate to give us call.

We can help with anything from **free product estimation** to putting you in touch with **trusted installers**.

✉ [ie-info@envirobuild.com](mailto:ie-info@envirobuild.com)

## Trade pricing available

Work in the trade? You can use our competitive trade discounts to pass along savings to your customers. Fill out our form, which can be found on our site at [ie.envirobuild.com/trade-discount](http://ie.envirobuild.com/trade-discount)

## Contents

<b>Hyperion® Explorer Cladding</b> .....	4
Explorer Gallery .....	8
Explorer Finishings .....	11
<b>Hyperion® Slatted Cladding</b> .....	14
Slatted Gallery .....	18
Slatted Finishings .....	21
<b>Other Information</b> .....	24
Case Studies .....	24
Substructure .....	26
Installation .....	27
Sustainability & Our Impact .....	28
Your Next Steps .....	32

The Explorer Collection

# Explorer

## Low maintenance, high performance.

This innovative cladding system is made from recycled and sustainable material that does not splinter, rot, warp, or even need any treating; you'll save every year over standard wood products.

 **CLASS-B FIRE RATING**



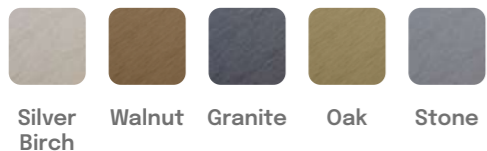
## Add aluminium substructure

For a full Class B (EN13501-1)  
fire rated system.

Stone Explorer

## Explore the details

### Explorer



The combined strengths of wood and plastic, from recycled sources.

Up to **87%** Recycled Material



### Relax and enjoy for generations to come

With a **highly durable, low maintenance** facade that can stand the test of time.



### Order worry-free

With a **15-year warranty**, we're confident it's built to last.



**CLASS-B FIRE RATING**



### Feel safe with our high fire rating

Explorer has a **fire rating of Euro Class B**, ideal for both residential and commercial spaces.



### Save precious time

With our easy-to-use **hidden fastener system**.



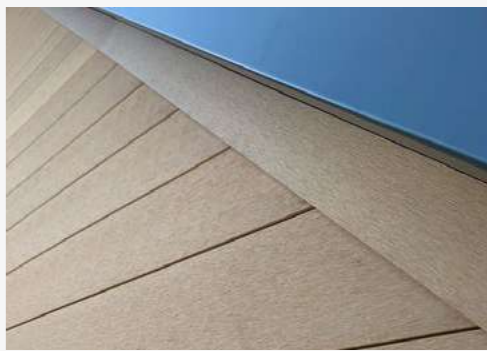
### Enjoy the look of wood, without the compromises

Explorer contains **FSC® 100% certified wood**, ensuring sustainably managed forests. This is combined with recycled plastic for a robust finish.



### Enjoy the colour for longer

Knowing no paint or treatments will be needed, with **UV stabilisers** within the board **protecting against sun damage**.



# Explorer specification



Low-maintenance, enhanced durability and supported by a 15-year warranty, Explorer will save you time and money every year over standard wood products.

<b>Dimensions</b>	173 x 19 mm profile 2.5 m or 4 m lengths
<b>Warranty</b>	15 year residential 10 year commercial
<b>Material</b>	57% FSC® certified wood powder 30% recycled HDPE 13% stone powder and additives
<b>System</b>	Easy tongue-and-groove hidden screw system
<b>Sustainability</b>	Made with 100% renewable energy and 87% recycled materials

## Your choice of aesthetic

Explorer cladding can be installed horizontally, vertically or even diagonally.

# System Accessories



Up to **87%** Recycled Material

## Corner Trim

- 60x60 mm profile in 4 m lengths
- Create the perfect edging



Up to **87%** Recycled Material

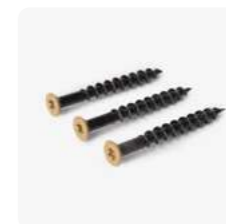
## Fascia Board

- 72x11.5 mm profile in 4 m lengths
- Conceals the sides of your cladding and butt joints



## Aluminium Battens

- 20x50 mm or 40x50 mm profile
- 3.6 m lengths



## Coloured Screws

- Box of 100 screws
- 45 mm length
- Perfect for installing corner trim and fascia boards

“

Great products built from superior materials to **stand the test of time**. We have used their cladding products many times to get a **professional, sleek finish** to our garden buildings. **Samples are also free and sent at no cost!** Great people and products at a reasonable cost. Would recommend every time.

---

*Carlilly Building Solutions, Trustpilot*



“

I cannot praise highly enough **the quality** of EnviroBuild Cladding. It also has a **fire rating where others cannot offer one**. The support for the product is excellent as well.

---

*James, Trustpilot*



# Slatted

## Engineered for the highest performance.

With a slatted design, weather-resistant finish, and composite core, this durable cladding blends the strength of recycled materials with the elegance of natural wood, providing exceptional durability and style for any facade or interior accent.

Balau Slatted



## Add plastic substructure

Slatted cladding works perfectly with anti-rot plastic battens.

## Get up front and personal

### Slatted



Grey Ash   Onyx Black   Balau   Cedar

The combined strengths of wood and plastic, from recycled sources.

Up to **87%** Recycled Material



### Relax and enjoy for generations to come

With a **highly durable, low maintenance** facade that can stand the test of time.



### 25-year warranty

With a **25-year stain and fade warranty**, we're confident it's built to last.



### Highly versatile installation

All EnviroBuild cladding can be installed horizontally, vertically, or even diagonally.



### Save precious time

With our easy-to-use **hidden fastener system**.



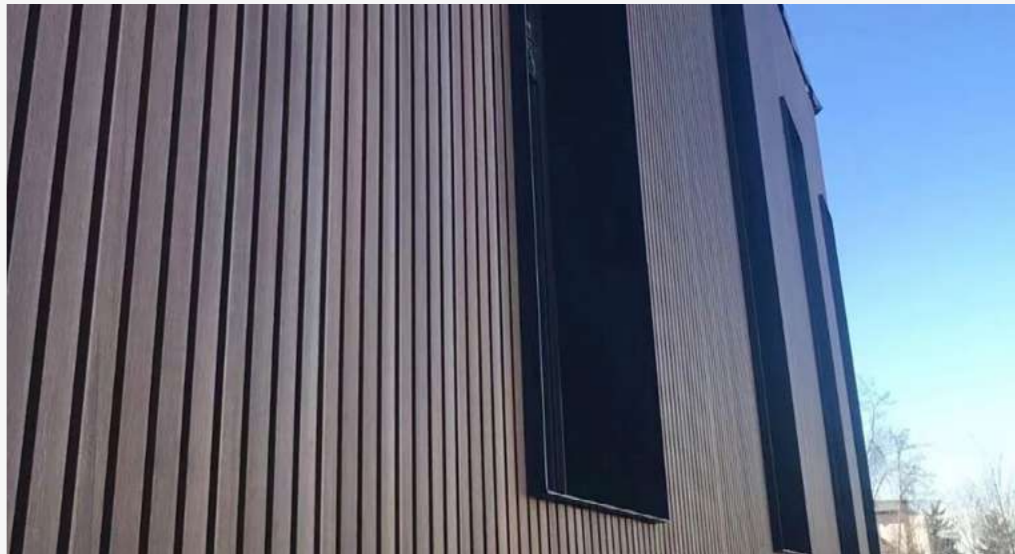
### Enjoy the look of natural wood, without the compromises

Slatted features a **realistic wood grain** for a natural finish and FSC® 100% certified wood is used, ensuring sustainably managed forests.



### Enjoy the colour for longer

**UV stabilisers** within the board and a durable plastic capping **protect against sun damage** and **prevent fades and stains**.



# Slatted specification



With a slatted design, weather-resistant finish, and composite core, this durable cladding blends the strength of recycled materials with the elegance of natural wood.

<b>Dimensions</b>	219 x 25 mm profile 2.5 m and 4 m lengths
<b>Warranty</b>	25 year residential 15 year commercial
<b>Material</b>	57% FSC® 100% certified wood powder 30% recycled HDPE 13% stone powder and additives
<b>System</b>	Easy tongue-and-groove hidden screw system
<b>Sustainability</b>	Made with 100% renewable energy and 90% recycled materials



# System Accessories



## Edge Trim

- 73x73 mm profile in 4 m lengths
- Conceals the sides of your cladding

Up to **87%** Recycled Material



## Flush Corner

- 38x50 mm profile in 4 m lengths
- Create the perfect edging

Up to **87%** Recycled Material



## Plastic Battens

- 40x40 mm profile
- 3 m lengths

Made with **100%** Recycled Material



## Window Reveal

- In 4 m lengths
- Secures cladding boards around window and door reveals

Up to **87%** Recycled Material

“

EnviroBuild's communication has been excellent and they have **gone above and beyond to resolve an issue** I had with my order. Their prices are very competitive and their cladding is lovely when installed.

*Catriona, Trustpilot*



## We'd love your feedback

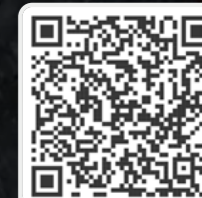
To ensure you received the very best service from EnviroBuild, please provide any feedback.



Review Now

## Putting you in touch with stockists and installers

One less thing to worry about: we have an established **network of stockists** and **trusted third-party installers** located across Ireland, providing you with **locally available** expertise in EnviroBuild products.



Find a Stockist

Case Study 

## Belvoir Vue

“

We decided to use EnviroBuild on the Belvoir Vue project because we liked the product in aesthetic terms but were also looking for a product that would perform with stability and durability.

From the outset, the project was intended to be sustainable and, once again, the product was a perfect choice.

---

*CBP Architects*

Pictured: Stone Explorer



Using clean lines and sophisticated lighting, this building is both articulate and elegant, conveying an elevated piece of architecture that both stands out and blends in.



# Substructure



## Plastic Battens



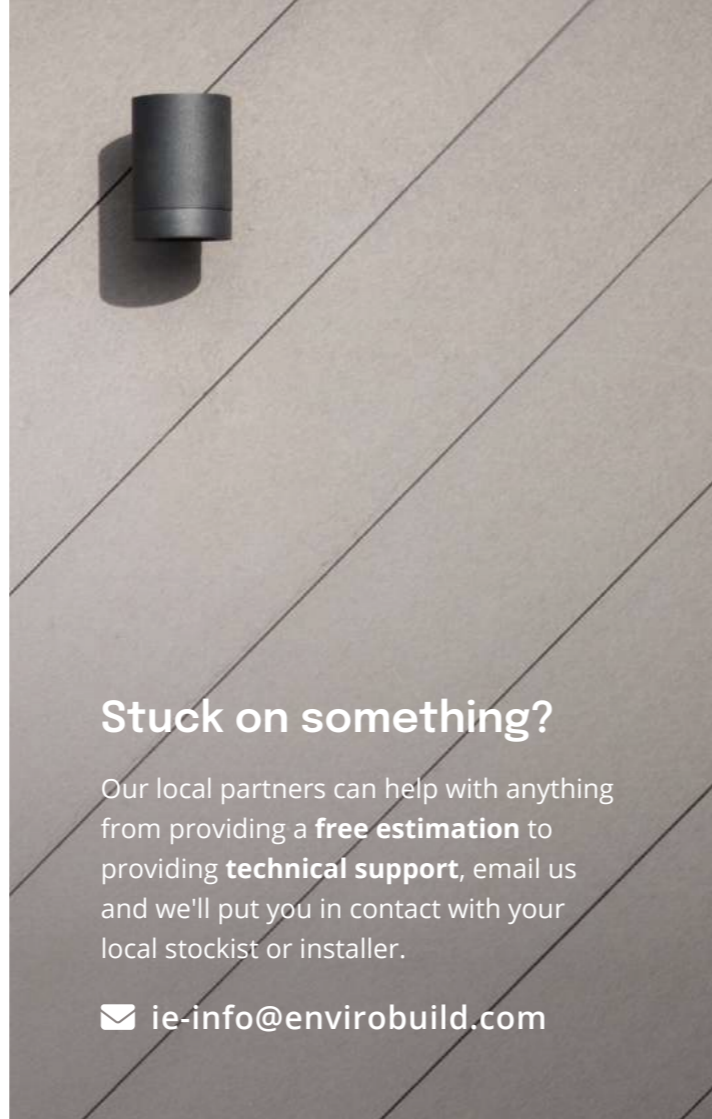
- 40x40 mm profile
- 3 m lengths



## Aluminium Battens



- 20x50 mm or 40x50 mm profile
- 3.6 m lengths



## Stuck on something?

Our local partners can help with anything from providing a **free estimation** to providing **technical support**, email us and we'll put you in contact with your local stockist or installer.

✉ [ie-info@envirobuild.com](mailto:ie-info@envirobuild.com)

# Easy installation

## Save precious time

With the **simple hidden fixing system**, everything quickly clips into place.

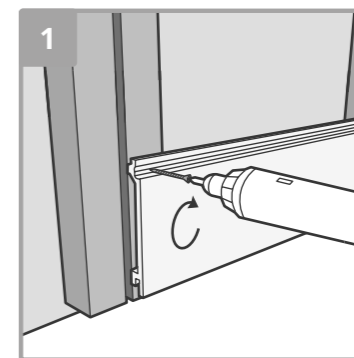
## Enjoy a seamless look

Innovative hidden fixing system will leave your cladding with a **beautifully flush finish** and **minimal surface screws**.

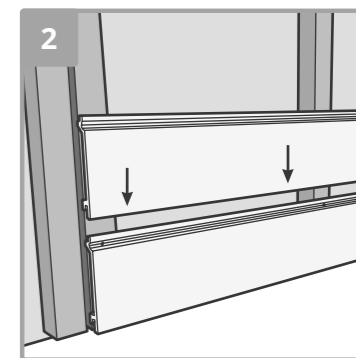


Full Guide

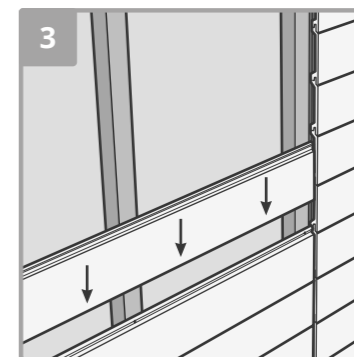
Find the full installation guide in the resource centre on our website, or simply scan the QR code.



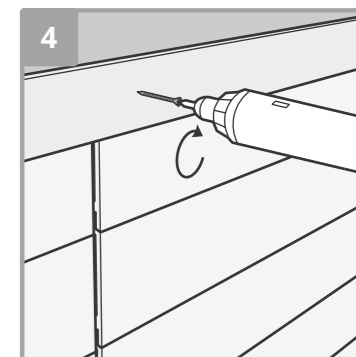
1 Pre-drill oversized holes and fix with screws to the substructure.



2 Clip the second board to the groove of the first board.



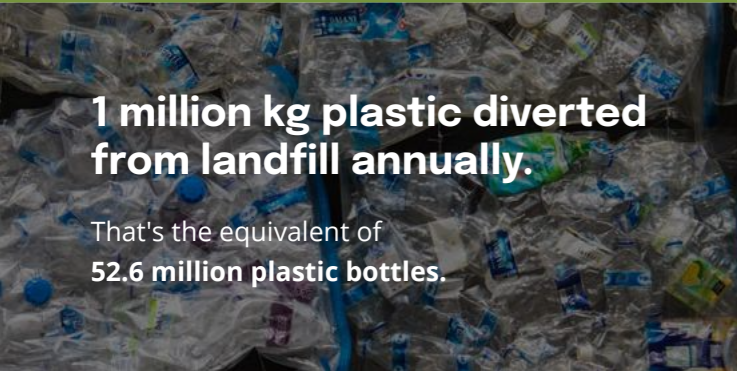
3 Repeat, making sure to shape boards around openings.



4 Attach finishing profiles to conceal edges and gaps.

# Feel confident in making the sustainable choice

We endeavour to provide the most sustainable products on the market. Here's why your purchase can make a positive impact on the environment.



**1 million kg plastic diverted from landfill annually.**

That's the equivalent of **52.6 million plastic bottles.**

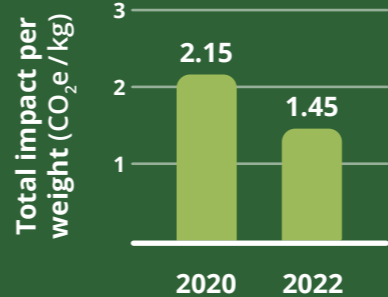
## We use wind power

From 2021 Hyperion® Composites have been manufactured using **100% renewable wind energy**. This gave Hyperion® Composites a **carbon footprint (CO<sub>2</sub>e) reduction of 33%**.

## 87% recycled material

This includes 57% FSC® 100% certified wood powder, 30% recycled HDPE, 6% stone powder and 7% additives.

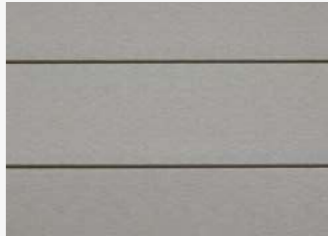
**Environmental impact (CO<sub>2</sub>e / kg) reduced 32.6% since 2020**



**Hyperion® cladding boards will produce up to 64% less CO<sub>2</sub>e across its lifetime than softwood timber cladding boards.**



Timber



Hyperion® Composite

# Supporting sustainable initiatives

**61.3 million** trees protected and counting\*  
 \*Between 2016-2022

Whilst our products are revolutionising sustainable solutions in the construction industry, this is where EnviroBuild can make a direct impact on tackling climate change.

Here you can see the direct impact we have had on some of Rainforest Trust's inspiring projects. As we grow, so does the impact we make.

We donate **10% of all profit** to sustainable causes.



**10% Pledge**



In partnership with



RAINFORREST TRUST

# How to buy



## Find a stockist or installer

Scan the link in the QR code on this page to check out our 'Find a Stockist' page.



## Connect with a local merchant

Use the link to connect with EnviroBuild's Trusted Installers and local merchants.

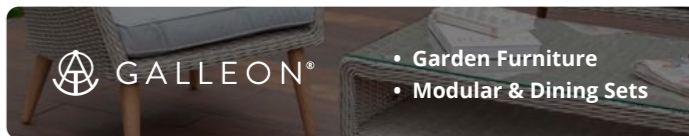


Find a Stockist or Installer

## Share your photos

Once your project is complete, why not share a photo with us by tagging us **@envirobuild**, or by sending an email to **ie-info@envirobuild.com**


# More from us





FSC® Trademark Licence: FSC® C146926

 Made from 100% recycled material

  @envirobuild