



Part Catalog

BLACK GOLD PUMP & SUPPLY INC.

SIGNAL HILL, CA





Since
1982



Table of Contents

Page	Part Description	API Designation				
1.	Adapter, Top Open Flow	-				
2.	Ball & Seat	V12	V13			
3.	Barrel – RW	B11				
4.	Barrel – RH	B12				
5.	Barrel – TH	B13				
6.	Barrel – RX	B16				
7.	Barrel – TX	-				
8.	Bushing, Valve Rod	B21				
9.	Connector, Upper Barrel	C21				
10.	Coupling, Barrel	C35				
11.	Coupling, Barrel Extension	C31				
12.	Cages, Top Open	C11				
13.	Cages, Top Plunger	C12				
14.	Cages, Closed Plunger	C13				
15.	Cages, Closed Barrel	C14				
16.	Cages, Open Standing Valve	C16				
17.	Cages, Double Valve	-				
18.	Drain, Knock-Out	-				
19.	Guide, Valve Rod	G11				
20.	Hold Down, Top, 3-Cup	S11	S12	S13	S14	S15
21.	Hold Down, Bottom, 3-Cup	S11	S12	S13	S14	S16
22.	Hold Down, Bottom, 2-Cup	S17	S18	S13	S14	S16
23.	Hold Down, Mech. Top Lock	S21				
24.	Hold Down, Mech. T/L on Bottom	-				
25.	Hold Down, Mech. Bottom Lock	S22				
26.	Nipple, Heavy-Duty	-				
27.	Nipple, No-Go (Tubing & Rod)	-				
28.	Nipple, Positive	-				
29.	Nipple, Seating, Cup	N11	N13			
30.	Nipple, Seating, Bottom Lock	N12				
31.	Nipple, Seating, Top Lock	N14				
32.	Plunger, Pin-End	P21				
33.	Plunger, Box-End	P23				
34.	Plug, Seat	P12				
35.	Strainer / Filter	-				

Adapter, T/O Flow

Tubing Pump

Plunger Size	OD	Thread 1 (A)	† Thread 2 (F32)	Steel Nickel Plated
2-1/4"	2.188"	3/4 S.R.	1.8024-14-API (Box)	209152652
2-3/4"	2.688"	7/8 S.R.	2.1095-11.5-API (Box)	209152953
3-1/4"	3.188"	1 S.R.	2.8281-11.5-BGT (Pin)	209153254
3-3/4"	3.625"	1 S.R.	3.3750-11.5-BGT (Pin)	209153454

Material: Steel – 4140 Alloy

† "-BGT" denotes Black Gold's proprietary thread



Ball & Seat

API & Non-API configurations

API-V12
API-V13

Cage Size	Seat		Ball					
					Stainless	Titanium	Silicon Nitride	Tungsten Carbide
1-1/4"	623161400							
	OD	0.918"	Std.	3/4"	12107	12307	12607	12707
	ID	0.528"	Spe.	11/16"	12106	12306	12606	12706
	THK	0.500"						
1-1/2"	623161800							
	OD	1.168"	Std.	15/16"	12109	12309	12609	12709
	ID	0.700"	Spe.	7/8"	12108	12308	12608	12708
	THK	0.500"						
1-3/4"	623162100							
	OD	1.388"	Std.	1-1/8"	12112	12312	12612	12712
	ID	0.813"	Spe.	1-1/16"	12111	12311	12611	12711
	THK	0.500"	Alt.	1"	12110	12310	12610	12710
2"	623162400							
	OD	1.478"	Std.	1-1/4"	12114	12314	12614	12714
	ID	0.948"	Spe.	1-3/16"	12113	12313	12613	12713
	THK	0.500"	Alt.	1-1/8"	12112	12312	12612	12712
2-1/4"	623162600							
	OD	1.718"	Std.	1-3/8"	12116	12316	12616	12716
	ID	1.063"	Spe.	1-5/16"	12115	12315	12615	12715
	THK	0.500"	Alt.	1-1/4"	12114	12314	12614	12714
2-1/2"	623162700							
	OD	2.008"	Std.	1-11/16"	12120	12320	12620	12720
	ID	1.288"	Spe.	1-5/8"	12119	12319	12619	12719
	THK	0.500"	Alt.	1-1/2"	12118	12318	12618	12718
2-3/4"	623162900							
	OD	2.008"	Std.	1-11/16"	12120	12320	12620	12720
	ID	1.288"	Spe.	1-5/8"	12119	12319	12619	12719
	THK	0.500"	Alt.	1-1/2"	12118	12318	12618	12718
3"	623163000							
	OD	2.008"	Std.	1-11/16"	12120	12320	12620	12720
	ID	1.288"	Spe.	1-5/8"	12119	12319	12619	12719
	THK	0.500"	Alt.	1-1/2"	12118	12318	12618	12718
+ 3-1/4"	623163200							
	OD	2.708"	Std.	2"	12124	12324	12624	12724
	ID	1.498"	Spe.	1-7/8"	12123	12323	12623	12723
	THK	0.750"	Alt.	1-3/4"	12121	12321	12621	12721
3-3/4"	623163400							
	OD	3.070"	Std.	2-1/8"	12125	12325	12625	12725
	ID	1.738"	Spe.	2"	12124	12324	12624	12724
	THK	0.750"	Alt.	1-7/8"	12123	12323	12623	12723

† For traveling valve. Standing Valve ball & seat have different dimensions.

Barrels – RW

API-B11

Rod Pump, Thin-Wall

Pump Size	1-1/2"	2"	2-1/2"
API	B11-150	B11-200	B11-250
ID	1.500"	2.000"	2.500"
OD	1.750"	2.250"	2.750"
Thread	1.5730-16-API	2.0870-16-API	2.5730-16-API
Steel Chrome ID	1311818XX	1311824XX	1311827XX
Steel Nickel Carbide	1312018XX	1312024XX	1312027XX
Steel Hardened & Honed	1310218XX	1310224XX	1310227XX
Brass Chrome ID	1310918XX	1310924XX	1310927XX
Brass Nickel Carbide	1310818XX	1310824XX	1310827XX

XX – length of barrel in ft. (exp: 131181820 = 1-1/2" x 20-ft Steel Chrome ID RW barrel)

Base Material: Steel – 1026 CDS

Brass – C443



Barrels – RH

API-B12

Rod Pump, Heavy-Wall

Pump Size	1-1/4"	1-1/2"	1-3/4"	2-1/4"
API	B12-125	B12-150	B12-175	B12-225
ID	1.250"	1.500"	1.750"	2.250"
OD	1.625"	1.875"	2.125"	2.625"
Thread	1.5730-16-API	1.8750-16-API	2.0870-16-API	2.5730-16-API
Steel Chrome ID	1321814XX	1321818XX	1321821XX	1320226XX
Steel Nickel Carbide	1322014XX	1322018XX	1322021XX	1322026XX
Steel Hardened & Honed	1320214XX	1320218XX	1320221XX	1320226XX
Brass Chrome ID	1320914XX	1320918XX	1320921XX	1320926XX
Brass Nickel Carbide	1320814XX	1320818XX	1320821XX	1320826XX

XX - length of barrel in ft. (exp: 132092120 = 1-3/4" x 20-ft Brass Chrome ID RH barrel)

Base Material: Steel - 1026 CDS

Brass - C443



Barrels – TH

Tubing Pump, Heavy-Wall

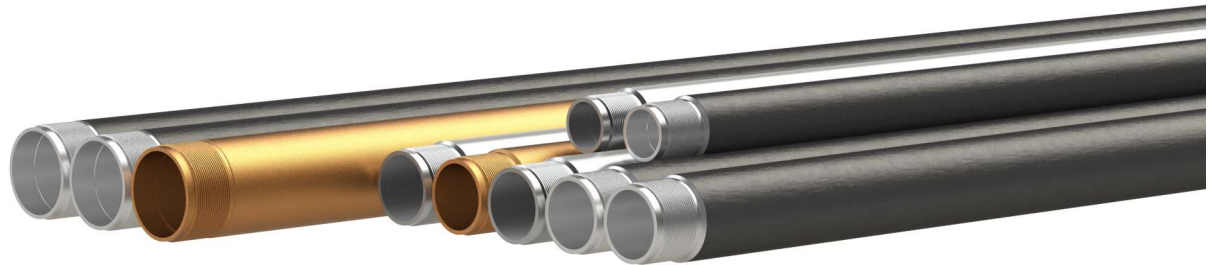
API-B13

Pump Size	1-3/4"	2-1/4"	2-3/4"	3-1/4"	3-3/4"
API	B13-175	B13-225	B13-275	-	B13-375
ID	1.750"	2.250"	2.750"	3.250"	3.750"
OD	2.250"	2.750"	3.250"	3.750"	4.250"
Thread	2.2380-11.5 API	2.7380-11.5 API	3.2380-11.5 API	3.6875-11.5 API	4.2380-11.5 API
Steel Chrome ID	1331821XX	1330226XX	1331829XX	1331832XX	1330234XX
Steel Nickel Carbide	1332021XX	1332026XX	1332029XX	1332032XX	1332034XX
Steel Hardened & Honed	1330221XX	1330226XX	1330229XX	1330232XX	1330234XX
Brass Chrome ID	1330921XX	1330926XX	1330929XX	1330932XX	1330934XX
Brass Nickel Carbide	1330821XX	1330826XX	1330829XX	1330832XX	1330834XX

XX – length of barrel in ft. (exp: 133092620 = 2-3/4" x 20-ft Brass Chrome ID TH barrel)

Base Material: Steel – 1026 CDS

Brass – C443



Barrels – RX

API-B16

Rod Pump, Heavy-Wall

Pump Size	1-1/2"	2"
API	B16-150	B16-200
ID	1.500"	2.000"
OD	1.875"	2.312"
Thread	1.5730-16-API	2.0870-16-API
Steel Chrome ID	1351818XX	1351824XX
Steel Nickel Carbide	1352018XX	1352024XX
Steel Hardened & Honed	1350218XX	1350224XX
Brass Chrome ID	1350918XX	1350924XX
Brass Nickel Carbide	1350818XX	1350824XX

XX – length of barrel in ft. (exp: 135182420 = 2" x 20-ft Steel Chrome ID RX barrel)

Base Material: Steel – 1026 CDS

Brass – C443



Barrels – TX

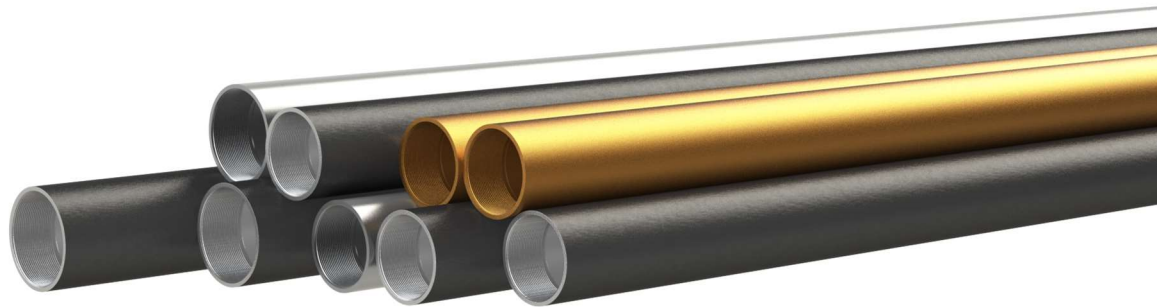
Tubing Pump, Heavy-Wall (Non-API)

Pump Size	3-1/4"	3-3/4"
API	-	-
ID	3.250"	3.750"
OD	3.750"	4.250"
†Thread	3.3750-11.5-BGT	3.8750-10-BGT
Steel Chrome ID	1341832XX	1340234XX
Steel Nickel Carbide	1342032XX	1342034XX
Steel Hardened & Honed	1340232XX	1340234XX
Brass Chrome ID	1340932XX	1340934XX
Brass Nickel Carbide	1340832XX	1340834XX

XX – length of barrel in ft. (exp: 134183220 = 3-1/4" x 20-ft Steel Chrome ID TX barrel)

† "-BGT" denotes Black Gold's proprietary thread

Base Material: Steel – 1026 CDS
Brass – C443



Bushing, Valve Rod

API-B21

API & Non-API configurations

Size	Valve Rod	API	OD	Thread 1 (A)	Thread 2 (L)	Steel	Stainless
2"	1 1/16"	B21-20	1.750"	3/4 S.R.	3/8"	178012452	178042452
2-1/2"	7/8"	B21-25	2.250"	3/4 S.R.	1/2"	178012752	178042752
3"	1-1/16"	B21-30	2.750"	3/4 S.R.	3/4"	178013052	178043052
		-		7/8 S.R.		178013053	178043053

Material: Steel - 1018 CF
Stainless - 316 SS

Also available in
Collet-Style

Contact Black Gold Sale
for more information



Connector, Upper Barrel Insert Pump

API-C21

Size	API	OD	ID	Thread (FI)	Thread (CI)	Steel	Stainless
2"	C21-20-125	1.750"	1.000"	1.4704-14	1.3330-16	231012414	231042414
	C21-20				1.5730-16	231012400	231042400
2-1/2"	C21-25	2.250"	1.250"	1.8024-14	2.0870-16	231012700	231042700
3"	C21-30	2.750"	1.500"	2.1095-11.5	2.5730-16	231013000	231043000

Material: Steel = 1018 CF
Stainless = 316 SS



Connector, Barrel Tubing Pump | Non-API

Tubing Size	Pump Size	OD	Thread 1 (Box)	*Thread 2 (Pin)	Part No.
2-1/2"	2-3/4"	3.500"	2-7/8 8RD EUE	3.2380-11.5-API	232192968
	3-1/4"	3.750"		3.3750-11.5-BGT	232193268
3"	3-1/4"	3.750"	3-1/2 8RD EUE	3.3750-11.5-BGT	232193273
	3-3/4"	4.250"		3.8750-10-BGT	232193473
	4-1/4"	4.750"		4.3750-10-BGT	232013673B

* "-BGT" denotes Black Gold's proprietary thread



Coupling, Barrel

API-C35

Tubing Pump | API & Non-API configurations

Tubing Size	Pump Size	API	OD	Thread 1 (Box)	Thread 2 (C32)	Part No.
2"	1-3/4"	C35-20	3.000"	2-3/8 8RD EUE	2.2380-11.5	256012163
	2-1/4"	-	3.250"		2.7380-11.5	232016326
2-1/2"	1-3/4"	-	3.625"	2-7/8 8RD EUE	2.2380-11.5	256012168
	2-1/4"	C35-25	3.625"		2.7380-11.5	256192668
3"	2-1/4"	-	4.500"	3-1/2 8RD EUE	2.7380-11.5	256192673
	2-3/4"	C35-30	4.500"		3.2380-11.5	256192973



Coupling, Extension

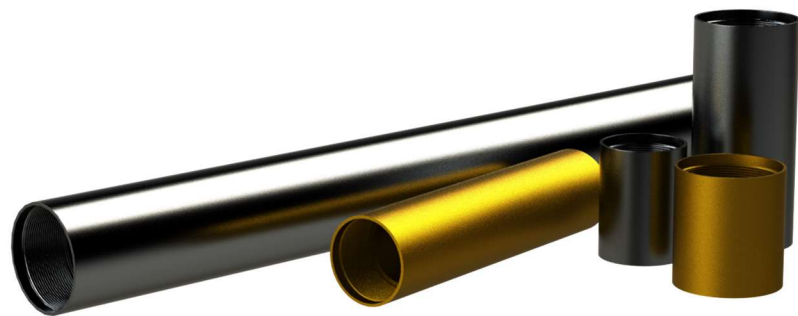
API-C31

Insert Pump Barrel

Size	API	OD	ID	Thread 1 (F32)	Thread 2 (F22)	Steel	Brass
1-1/4"	C31-125	1.750"	1.312"	1.5730-16-API		2910114XX	2910814XX
1-1/2"	C31-150	2.250"	1.593"	1.8750-16-API	2.0870-16-API	2910118XX	2910818XX
1-3/4"	C31-175	2.250"	1.812"	2.0870-16-API		2910121XX	2910821XX
2-1/4"	C31-225	2.750"	2.312"	2.5730-16-API		2910126XX	2910826XX

XX - length of extension in inches (exp: 291011812 = 1-1/2" x 12-in Steel Extension Coupling)
available length: 3", 6", 12", 24", 36", 48"

Material: Steel - 1026 CDS
Brass - 360C



Cages, Top Open

API Tubing Pump

API-C11

API Configurations – compatible with Ball & Seat

Cage Size	API	OD	Thread 1 (A)	Thread 2 (F22)	Steel Stellite-lined	Stainless Stellite-lined
1-3/4"	C11-20	1.688"	3/4 S.R.	1.4704-14-API	201032152	201062152
2-1/4"	C11-25	2.188"	3/4 S.R.	1.8024-14-API	201032652	201062652
2-3/4"	C11-30	2.625"	3/4 S.R.	2.1095-11.5-API	201032952	201062952
2-3/4"	-	2.625"	7/8 S.R.	2.1095-11.5-API	201032953	201062953
3-3/4"	C11-40	3.625"	1 S.R.	3.1715-11.5-API	201033454	201063454

Non-API Configurations – NOT compatible with Ball & Seat

Cage Size	OD	Thread 1 (A)	Thread 2 (F32)	Steel Black Oxide	Steel Nickel Plated	Stainless
1-3/4"	1.688"	3/4 S.R.	1.4704-14-API	201012152	201192152	201042152
2-1/4"	2.188"	3/4 S.R.	1.8024-14-API	201012652	201192652	201042652
2-3/4"	2.625"	3/4 S.R.	2.1095-11.5-API	201012952	201192952	201042952
2-3/4"	2.625"	7/8 S.R.	2.1095-11.5-API	201012953	201192953	201042953
3-3/4"	3.625"	1 S.R.	3.1715-11.5-API	201013454	-	201043454

Refer to "Ball & Seat" page for information on cages' respective ball and seat

Material: Steel – 8620 Alloy or 1018 CF
Stainless – 316 SS
400 Monel – Available Upon Request

Lining: Stellite 6



Cages, Top Plunger

API-C12

API Insert Pump

Cage Size	API	Valve Rod	OD	Thread 1 (L)	Thread 2 (F32)	Steel	Stainless
1-1/4"	C13-125	11/16"	1.200"	3/8	1.0000-14-API	202011406	202041406
1-1/4"	-	7/8"	1.200"	1/2	1.0000-14-API	202011408	202041408
1-1/2"	C13-150-20	11/16"	1.450"	3/8	1.2500-14-API	202011806	202041806
1-1/2"	C13-150	7/8"	1.450"	1/2	1.2500-14-API	202011808	202041808
1-3/4"	C13-175	7/8"	1.700"	1/2	1.4704-14-API	202012108	202042108
2"	C13-200	7/8"	1.950"	1/2	1.5604-14-API	202012408	202042408
2-1/4"	C13-225	1-1/16"	2.200"	3/4	1.8024-14-API	202012611	202042611
2-1/2"	C13-250	1-1/16"	2.450"	3/4	2.1095-11.5-API	202012711	202042711

NOTE: The standard Top Plunger cages above are **NOT** configured for Ball & Seat assembly. Top Plunger cages compatible with Ball & Seat are available upon request only.

Material: Steel – 8620 Alloy
Stainless – 316 SS
400 Monel – Available Upon Request

Also available in **Collet-Style**

Contact Black Gold Sale for more information



Cages, Closed Plunger

API-C13

Pin-End Plunger | Stellite-lined

Cage Size	API	OD	Thread 1 (F32)	Thread 2 (F22)	Steel Stellite-lined	Stainless Stellite-lined
1-1/4"	C13-125	1.200"	1.0000-14-API	1.0000-14-API	205031400	205061400
1-1/2"	C13-150	1.450"	1.2500-14-API	1.2500-14-API	205031800	205061800
1-3/4"	C13-175	1.700"	1.4704-14-API	1.4704-14-API	205032100	205062100
2"	C13-200	1.950"	1.5604-14-API	1.5604-14-API	205032400	205062400
2-1/4"	C13-225	2.200"	1.8024-14-API	1.8024-14-API	205032600	205062600
2-1/2"	C13-250	2.450"	2.1095-11.5-API	2.1095-11.5-API	205032700	205062700
2-3/4"	C13-275	2.650"	2.1095-11.5-API	2.1095-11.5-API	205032900	205062900
3-3/4"	C13-375	3.650"	3.1715-11.5-API	3.1715-11.5-API	205033400	205063400

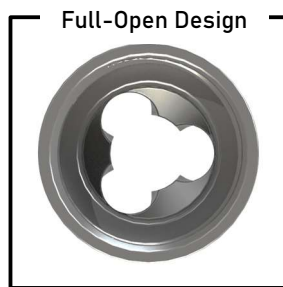
Refer to "Ball & Seat" page for information on cages' respective ball and seat

Material: Steel – 8620 Alloy

Stainless – 316 SS

400 Monel – Available Upon Request

Lining: Stellite 6



Cages, Closed Barrel

API-C14

Stellite-lined

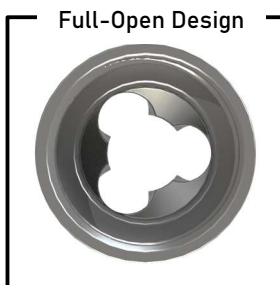
Cage Size	API	OD	Thread 1 (C11)	Thread 2 (F22)	Steel Stellite-lined	Stainless Stellite-lined
1-3/4"	C14-20	1.750"	1.5730-16-API	1.4704-14-API	204032100	204062100
2-1/4"	C14-25	2.250"	2.0870-16-API	1.8024-14-API	204032600	204062600
2-3/4"	C14-30	2.750"	2.5730-16-API	2.1095-11.5-API	204032900	204062900

Refer to "Ball & Seat" page for information on cages' respective ball and seat

Material: Steel – 8620 Alloy
Stainless – 316 SS
400 Monel – Available Upon Request

Lining: Stellite 6
High Compression Style – Available Upon Request

Cage Size	API	Applicable API Pump Bore
1-3/4"	C14-20	RH – 1.25 RW – 1.50 RX – 1.50
2-1/4"	C14-25	RH – 1.50 RH – 1.75 RW – 2.00 RX – 2.00
2-3/4"	C14-30	RH – 2.25 RW – 2.50



Cages, Open Standing Valve

Stellite-lined

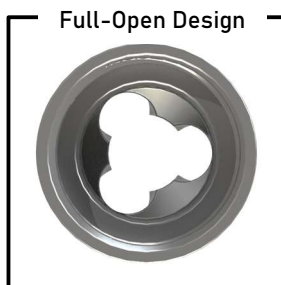
API-C16

Cage Size	API	OD	Thread 1 (S2)	Thread 2 (F22)	Steel Stellite-lined	Stainless Stellite-lined
1-1/4"	-	1.200"	3/4-10-API	1.0000-14-API	203031400	203061400
1-1/2"	-	1.450"		1.2500-14-API	203031800	203061800
1-3/4"	C16-175	1.668"		1.4704-14-API	203032100	203062100
2"	-	1.950"		1.5604-14-API	203032400	203062400
2-1/4"	C16-225	2.188"		1.8024-14-API	203032600	203062600
2-3/4"	C16-275	2.625"		2.1095-11.5-API	203032900	203062900

Refer to "Ball & Seat" page for information on cages' respective ball and seat

Material: Steel - 8620 Alloy
 Stainless - 316 SS
 400 Monel - Available Upon Request

Lining: Stellite 6



Cages, Double Valve

Non-API | Stellite-lined

Cage Size	API	OD	Thread 1 (F1)	Thread 2 (F22)	Steel Stellite-lined	Stainless Stellite-lined
1-1/4"	C13-125	1.200"	1.0000-14-API	1.0000-14-API	206031400	206061400
1-1/2"	C13-150	1.450"	1.2500-14-API	1.2500-14-API	206031800	206061800
1-3/4"	C13-175	1.700"	1.4704-14-API	1.4704-14-API	206032100	206062100
2"	C13-200	1.950"	1.5604-14-API	1.5604-14-API	206032400	206062400
2-1/4"	C13-225	2.200"	1.8024-14-API	1.8024-14-API	206032600	206062600
2-1/2"	C13-250	2.450"	2.1095-11.5-API	2.1095-11.5-API	206032700	206062700
2-3/4"	C13-275	2.650"	2.1095-11.5-API	2.1095-11.5-API	206032900	206062900
3-3/4"	C13-375	3.650"	3.1715-11.5-API	3.1715-11.5-API	206033400	206063400

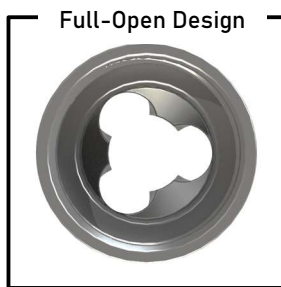
Refer to "Ball & Seat" page for information on cages' respective ball and seat

Material: Steel - 8620 Alloy

Stainless - 316 SS

400 Monel - Available Upon Request

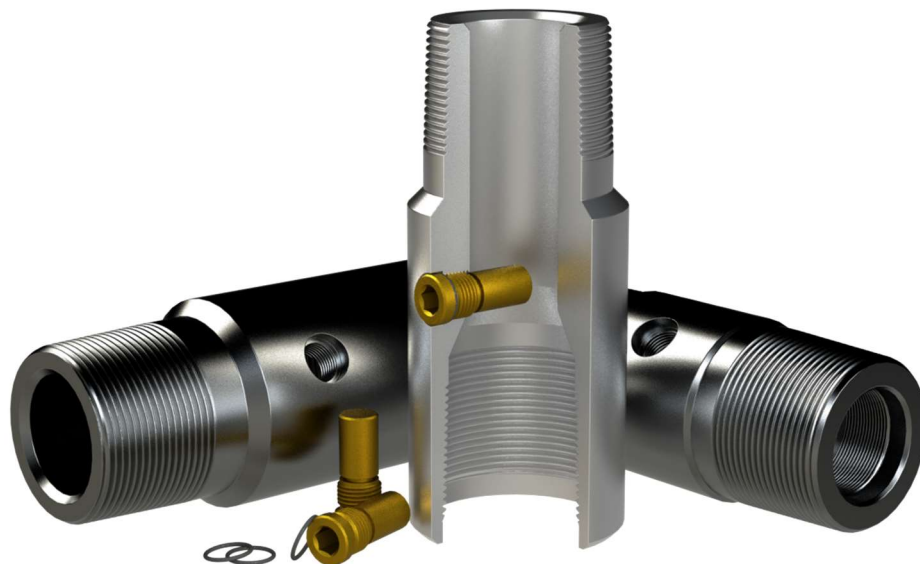
Lining: Stellite 6



Drain, Knock-Out Tubing Pump

Tubing Size	OD	ID	Thread (Box x Pin)	Assembly	Components	
					Mandrel	Plug
2"	3.000"	1.500"	2-3/8 8RD EUE	391016300	391016300M	392080000
2-1/2"	3.625"	2.000"	2-7/8 8RD EUE	391016800	391016800M	
3"	4.500"	2.500"	3-1/2 8RD EUE	391017300	391017300M	

Applicable Pump	OD	ID	Thread 1 & 2 (Pin x Pin)	Thread 3 (Barrel)	Mandrel	Plug
1-1/2" TW	3.250"	1.375"	2-7/8 8RD EUE	1.8750-16-API Box	391012901	392080000
1-3/4" TW 2" TW	3.125"	1.500"		2.0870-16-API Pin	478016862	



Guide, Valve Rod

API-G11

API & Non-API configurations

Size	Valve Rod	API	OD	Thread (F32)	Steel	Stainless
2"	11/16"	G11-20	1.750"	1.4704-14	301012406	301042406
	7/8"	-			301012408	301042408
2-1/2"	11/16"	-	2.250"	1.8024-14	301012706	301042706
	7/8"	G11-25			301012708	301042708
3"	7/8"	-	2.750"	2.1095-11.5	301013008	301043008
	1-1/16"	G11-30			301013011	301043011

Material: Steel - 1018 CF
Stainless - 316 SS



Hold Down

3-Cup | Top | Insert Pump

API S11 S12
S13 S14
S15

Hold-Down Size		2"	2-1/2"		3"	
Pump Size		1-1/4" RH 1-1/2" RW	1-1/4" RH 1-1/2" RW	1-3/4" RH 2" RW	1-3/4" RH 2" RW	2-1/4" RH 2-1/2" RW
Thread 1 (F1)		1.4704-14	1.8024-14		2.1095-11.5	
Thread 2 (C11)		1.5730-16	2.0870-16		2.5730-16	
Mandrel QTY: 1	API	S11-20	S11-25		S11-30	
	Steel	454016300	454016800		454017300	
	Stainless	454046300	454046800		454047300	
Ring QTY: 2	API	S13-20	S13-25		S13-30	
	Steel	578016300	578016800		578017300	
	Stainless	578046300	578046800		578047300	
Nut QTY: 1	API	S14-20	S14-25		S14-30	
	Steel	483016300	483016800		483017300	
	Stainless	483046300	483046800		483047300	
Top Bushing QTY: 1	API	S15-20	-	S15-25	-	S15-30
	Steel	175016300	178012618	178016800	175013021	178017300
	Stainless	178046300	178042618	178046800	175043021	178047300
Cup (Type HR) QTY: 3	API	S12-20	S12-25		S12-30	
	Nylon	2734521YY	2734526YY		2734529YY	
	High-Temp	2754521YY	2754526YY		2754529YY	

YY - Fit of cup 83 = -.010 84 = +.030 85 = +.045 86 = +.070

(exp: 273452686 = 2-1/2" +.070 Nylon Cup)

+.070 is standard for Insert Pump

Shown QTY - number of component(s) per Hold-Down assembly

Material: Steel - 1018 CF

Stainless - 316 SS



Hold Down

3-Cup | Bottom | Insert Pump

API S11 S12
S13 S14
S16

Hold-Down Size		2"	2-1/2"	3"
Max. Pump Size		1-1/4" RH 1-1/2" RW	1-3/4" RH 2" RW	2-1/4" RH 2-1/2" RW
Thread 1 (F1)		1.4704-14	1.8024-14	2.1095-11.5
Thread 2 (LP)		1"	1-1/4"	1-1/2"
Mandrel QTY: 1	API	S11-20	S11-25	S11-30
	Steel	454016300	454016800	454017300
	Stainless	454046300	454046800	454047300
Ring QTY: 2	API	S13-20	S13-25	S13-30
	Steel	578016300	578016800	578017300
	Stainless	578046300	578046800	578047300
Nut QTY: 1	API	S14-20	S14-25	S14-30
	Steel	483016300	483016800	483017300
	Stainless	483046300	483046800	483047300
Bottom Bushing QTY: 1	API	S16-20	S16-25	S16-30
	Steel	254016300	254016800	254017300
	Stainless	254046300	254046800	254047300
Cup (Type HR) QTY: 3	API	S12-20	S12-25	S12-30
	Nylon	2734521YY	2734526YY	2734529YY
	High-Temp (XT)	2754521YY	2754526YY	2754529YY

YY - Fit of cup 83 = -.010 84 = +.030 85 = +.045 86 = +.070

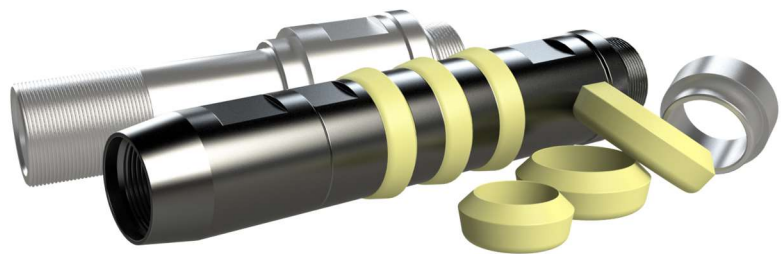
(exp: 273452686 = 2-1/2" +.070 Nylon Cup)

+ .070 is standard for Insert Pump

Shown QTY - number of component(s) per Hold-Down assembly

Material: Steel - 1018 CF

Stainless - 316 SS



Hold Down

2-Cup | Bottom | Tubing Pump

API S13 S14
S16 S17
S18

Hold-Down Size		2"	2-1/2"	3"
Tubing Pump Size		1-3/4" TH	2-1/4" TH	2-3/4" TH
Thread 1 (F1)		1.4704-14	1.8024-14	2.1095-11.5
Thread 2 (LP)		1"	1-1/4"	1-1/2"
Mandrel QTY: 1	API	S17-20	S17-25	S17-30
	Steel	454016310	454016810	454017310
	Stainless	454046310	454046810	454047310
Ring QTY: 1	API	S13-20	S13-25	S13-30
	Steel	573016300	573016800	573017300
	Stainless	573046300	573046800	573047300
Nut QTY: 1	API	S14-20	S14-25	S14-30
	Steel	483016300	483016800	483017300
	Stainless	483046300	483046800	483047300
Bottom Bushing QTY: 1	API	S16-20	S16-25	S16-30
	Steel	254016300	254016800	254017300
	Stainless	254046300	254046800	254047300
Cup, -.010 (Type HR) QTY: 2	API	S18-20	S18-25	S18-30
	Nylon	273452183	273452683	273452983
	High-Temp (XT)	275452183	275452683	275452983

Shown QTY - number of component(s) per Hold-Down assembly

Material: Steel - 1018 CF

Stainless - 316 SS



Hold Down

API-S21

Mechanical Top Lock | Insert Pump

Hold-Down Size		2"	2-1/2"		3"	
Pump Size		1-1/4" RH 1-1/2" RW	1-1/4" RH 1-1/2" RW	1-3/4" RH 2" RW	1-3/4" RH 2" RW	2-1/4" RH 2-1/2" RW
Thread 1 (F1)		1.4704-14	1.8024-14		2.1095-11.5	
Thread 2 (C11)		1.5730-16	2.0870-16		2.5730-16	
Mandrel QTY: 1	Steel	452012462	452012762		452013062	
	Stainless	452042462	452042762		452043062	
Ring QTY: 1	416 S.S.	572052762	572052462		572053062	
Sleeve QTY: 1	Steel	642022462	642022762		642023062	
	Stainless	642042462	642042762		642043062	
Bushing QTY: 1	Steel	172012462	172012718	172012762	172013027	172013062
	Stainless	172042462	172042718	172042762	172043027	172043062

Shown QTY - number of component(s) per Hold-Down assembly

Material: Steel - 1018 CF
Stainless - 316 SS



Hold Down

Top Lock on Bottom | Insert Pump

Hold-Down Size		2"	2-1/2"	3"
Max. Pump Size		1-1/4" RH 1-1/2" RW	1-3/4" RH 2" RW	2-1/4" RH 2-1/2" RW
Thread 1 (F1)		1.4704-14	1.8024-14	2.1095-11.5
Thread 2 (LP)		1"	1-1/4"	1-1/2"
Adapter T/L OB QTY: 1	Steel	101012400	101012700	101013000
	Stainless	101042400	101042700	101043000
Mandrel QTY: 1	Steel	451012462	451012762	451013062
	Stainless	451042462	451042762	451043062
Ring QTY: 1	416 S.S.	572052762	572052462	572053062
Sleeve QTY: 1	Steel	642022462	642022762	642023062
	Stainless	642042462	642042762	642043062
Adapter T/L OB STR QTY: 1	Steel	102012443	102012744	102013045
	Stainless	102042443	102042744	102043045

Shown QTY - number of component(s) per Hold-Down assembly

Material: Steel - 1018 CF
Stainless - 316 SS



Hold Down

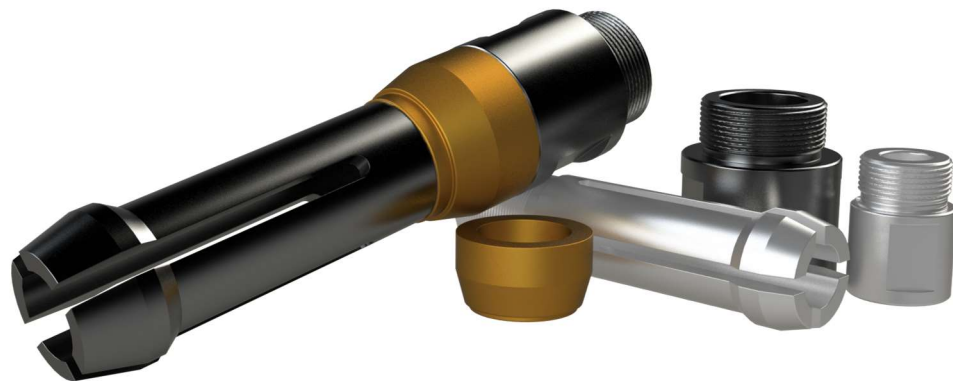
Mechanical Bottom Lock

API-S22

Hold-Down Size		2"	2-1/2"	3"
API		S22-20	S22-25	S22-30
Max. Insert Pump Size		1-1/4" RH 1-1/2" RW	1-3/4" RH 2" RW	2-1/4" RH 2-1/2" RW
Tubing Pump Size		1-3/4" TH	2-1/4" TH	2-3/4" TH
Thread (FI)		1.4704-14	1.8024-14	2.1095-11.5
Mandrel QTY: 1	Steel	451012462	451012762	451013062
	Stainless	451042462	451042762	451043062
Bushing QTY: 1	Steel	171012462	171012762	171013062
	Stainless	171042462	171042762	171043062
Ring QTY: 1	Brass	571102462	571102762	571103062

Shown QTY - number of component(s) per Hold-Down assembly

Material: Steel - 1018 CF
Stainless - 316 SS



Nipple, Heavy-Duty

Tubing Size	2"	2-1/2"	3"
Thread	2-3/8" 8RD EUE	2-7/8" 8RD EUE	3-1/2" 8RD EUE
ID	1.990"	2.500"	2.990"
OD	2.594"	3.094"	3.750"
†LG.	12"	12"	12"
Nickel-Plated Steel	292196312	*292196812	292197312
Steel (Plain)	292336312	292336812	292337312

Material: Steel - 1018 CF

†different length available upon request

*length = 16"



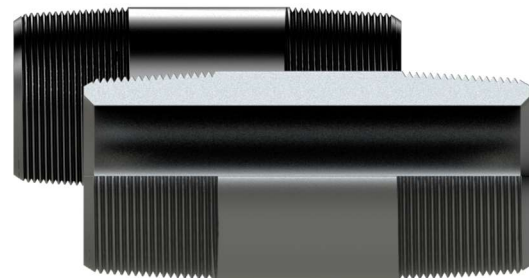
Nipple, No-Go For Tubing

Size	OD	ID	Length	Thread (Box x Box)	Part Number
2"	5.500"	1.818"	8.00"	2-3/8 8RD EUE	479013763
2-1/2"		2.500"	8.00"	2-7/8 8RD EUE	479013768
3"		3.000"	8.00"	3-1/2 8RD EUE	479013773



Nipple, No-Go For Rod/Pump

Size	OD	ID	Length	Thread (Pin x Pin)	Part Number
2-1/2"	3.094"	2.125"	8.00"	2-7/8 8RD EUE	479012700
3"	3.750"	2.500"	8.00"	3-1/2 8RD EUE	479013000



Nipple, Positive

Tubing Pump

Part Number	Applicable Pump	OD	ID	Thread 1 (Pin)	Thread 2 (Pin)	Thread 3 (Pin)
478016300	TH: 1-3/4" TW: 1-1/4", 1-1/2"	2.594"	0.938"	2-3/8 8RD EUE		1.4704-14
478196800	TH: 1-3/4", 2-1/4" TW: 1-1/4", 1-1/2", 1-3/4", 2", 2-1/2"	3.125"	1.000"	2-7/8 8RD EUE		1.8024-14
478197300	TH: 2-3/4" TW: 2-1/2"	3.750"	1.500"	3-1/2 8RD EUE		2.1095-11.5
478092968	TH: 2-3/4"	3.500"	1.500"	2-7/8 8RD EUE	3.2380-11.5	2.1095-11.5



Nipple, Seating

3-Cup | Insert Pump

API-N11

Hold Down Size	API	OD	ID	LG.	† Thread	Steel	Stainless
2"	N11-20	2.594"	1.780"	12"	2-3/8 8RD EUE	471016362	471046362
2-1/2"	N11-25	3.094"	2.280"		2-7/8 8RD EUE	471016862	471046862
3"	N11-30	3.750"	2.780"		3-1/2 8RD EUE	471017362	471047362

† Also available with A95 thread upon request

Material: Steel – 1018 CF
Stainless – 316 SS



Nipple, Seating

2-Cup | Tubing Pump

API-N13

Hold Down Size	API	OD	ID ₁	ID ₂	LG.	Thread	Steel	Stainless
2"	N13-20	2.594"	1.710"	1.371"	12"	2-3/8 8RD EUE	471016301	471046301
2-1/2"	N13-25	3.094"	2.210"	1.832"		2-7/8 8RD EUE	471016801	471046801
3"	N13-30	3.750"	2.710"	2.156"		3-1/2 8RD EUE	471017301	471047301

Material: Steel – 1018 CF
Stainless – 316 SS



Nipple, Seating

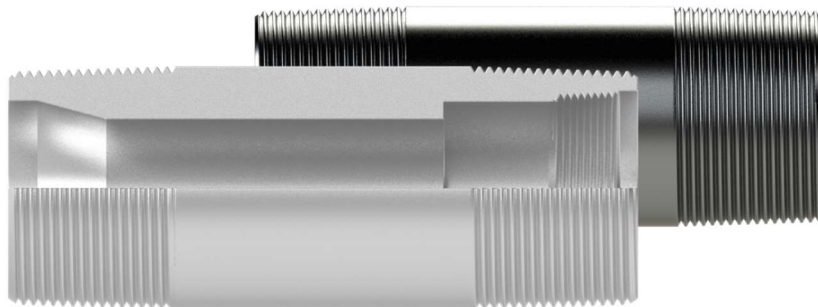
Mechanical Bottom Lock

API-N12

Hold Down Size	2"	2-1/2"	3"
API	N12-20	N12-25	N12-30
ID	1.375"	1.750"	2.250"
OD	2.594"	3.094"	3.750"
LG.	12"		
† Thread 1	2-3/8" 8RD EUE	2-7/8" 8RD EUE	3-1/2" 8RD EUE
Thread 2 (LP)	1-1/2"	2"	2-1/2"
Steel	471016362	471016862	471017362
Stainless	471046362	471046862	471047362

† Also available with A95 thread upon request

Material: Steel – 1018 CF
Stainless – 316 SS



Nipple, Seating

Mechanical Top Lock

API-N14

Hold Down Size	API	OD	ID _{seat}	ID ₂	† Thread (Box x Pin)	Assembly
2"	N14-20	3.000"	1.780"	1.902"	2-3/8 8RD EUE	472016362
2-1/2"	N14-25	3.625"	2.280"	2.350"	2-7/8 8RD EUE	472016862
3"	N14-30	4.500"	2.780"	2.867"	3-1/2 8RD EUE	472017362

† Also available with A95 thread upon request

Material: Body = 1018 CF Steel; 316SS – Available Upon Request
Seating Ring = 416 SS



Plunger, Pin-End

API-P21

Grooved & Non-Grooved

Cage Size	API	OD	ID	Thread (F1/F1A)	Steel Spray Metal	Monel-End Spray Metal
1-1/4"	P21-125	1.250"	0.625"	1.0000-14-API	5511714XX	5511214XX
1-1/2"	P21-150	1.500"	0.865"	1.2500-14-API	5511718XX	5511218XX
1-3/4"	P21-175	1.750"	1.000"	1.4704-14-API	5511721XX	5511221XX
2"	P21-200	2.000"	1.150"	1.5604-14-API	5511724XX	5511224XX
2-1/4"	P21-225	2.250"	1.365"	1.8024-14-API	5511726XX	5511226XX
2-1/2"	P21-250	2.500"	1.500"	2.1095-11.5-API	5511727XX	5511227XX
2-3/4"	P21-275	2.750"	1.500"	2.1095-11.5-API	5511729XX	5511229XX

XX - length of plunger in ft. (exp: 551172106 = 1-3/4" x 6-ft Steel Spray Metal plunger)

Available in any plunger fit upon request.

Material: Steel - 1026 CDS

Monel - Monel 6

Coating: Spray Metal | 56-58 HRC | +.012" thickness

Grooved configuration (standard): available up to 12-ft length

Non-Grooved configuration: available for any length



Plunger, Box-End

API-P23

Grooved & Non-Grooved

Cage Size	API	OD	ID	Thread (F1/F1A)	Steel Spray Metal	Monel-End Spray Metal
1-3/4"	P23-175	1.750"	-	1.5084-14-API	5521721XX	5521221XX
2-1/4"	P23-225	2.250"	-	1.9864-14-API	5521726XX	5521226XX
2-3/4"	P23-275	2.750"	-	2.3755-11.5-API	5521729XX	5521229XX
3-1/4"	-	3.250"	2.500"	2.8281-11.5-BGT	5521732XX	5521232XX
3-3/4"	-	3.750"	3.000"	3.3750-11.5-BGT	5521734XX	5521234XX
4-1/4"	-	4.250"	3.250"	3.3825-11.15-API	5521736XX	5521236XX

XX – length of plunger in ft. (exp: 552123205 = 3-1/4" x 5-ft Monel Spray Metal plunger)

Available in any plunger fit upon request.

Material: Steel – 1026 CDS

Monel – Monel 6

Coating: Spray Metal | 56-58 HRC | +.012" thickness

Grooved configuration (standard): available up to 12-ft length

Non-Grooved configuration: available for any length



Plug, Seat

API-P12

API Configurations - no Clutch

Cage Size	API	OD	Thread (FI)	Steel	Stainless
1-1/4"	P12-125	1.188"	1.0000-14-API	543011400	543041400
1-1/2"	P12-150	1.438"	1.2500-14-API	543011800	543041800
1-3/4"	P12-175	1.688"	1.4704-14-API	543012100	543042100
2"	P12-200	1.938"	1.5604-14-API	543012400	543042400
2-1/4"	P12-225	2.188"	1.8024-14-API	543012600	543042600
2-1/2"	P12-250	2.438"	2.1095-11.5-API	543012700	543042700
2-3/4"					

Non-API Configurations - with Clutch

Cage Size	API	OD	Thread (FI)	Steel	Stainless
2-1/4"	-	2.188"	1.8024-14-API	173012600	173042600
2-3/4"		2.438"	2.1095-11.5-API	173012900	273042900
				Nickel-Plated Steel	
3-1/4"	-	3.188"	2.8130-11.5-BGT	173193200	
3-3/4"		3.625"	3.1700-11.5-BGT	173193400	

Material: Steel - 1018 CF
 Stainless - 316 SS
 400 Monel - Available Upon Request
 Hex Style Available Upon Request



Strainer / Filter

Perforated & Mesh



Strainer Perforated

Strainer Size	OD	Lengths	Thread (LP)	Part Number
1"	1.315"	6", 12", 18", 24", 36"	1"	4750110XX
1-1/4"	1.660"	6", 12", 18", 24"	1-1/4"	4750114XX
1-1/2"	1.900"	6", 12", 24"	1-1/2"	4750118XX

XX - length of strainer in inches (exp: 475011024 = 1" x 24-in Strainer)

Material: Steel



Strainer Mesh

Strainer Size	OD	Mesh Size	Lengths (ft)	Thread (LP)	Part Number
1"	1.315"			1"	4750410XX
1-1/4"	1.660"	12, 18, 75	3/4, 2, 3, 6, 8, 10	1-1/4"	4750414XX
1-1/2"	1.900"			1-1/2"	4750418XX

XX - length of strainer in inches (exp: 475011024 = 1" x 24-in Strainer)

Material: Stainless Steel

Filter Mesh



Filter Size	OD	ID	Mesh Size	Lengths	Thread (Box x Box)	Part Number
2-3/8"	2.375"	1.941"	8, 12, 18, 20, 25, 50, 75	23.5-ft Total 20-ft Mesh Screen	2-3/8 8RD EUE	<i>contact Sale for part identifications</i>
2-7/8"	2.875"	2.441"			2-7/8 8RD EUE	
3-1/2"	3.500"	3.066"			3-1/2 8RD EUE	

Material: Stainless Steel



11AX-0134



Q1-2618



ISO-2881

2459 Lewis Ave.
Signal Hill, CA 90755
(562)595-4475
sales@blackgoldpump.com



BLACK GOLD

PUMP & SUPPLY INC.
SIGNAL HILL, CA



11AX-0134



Q1-2618

