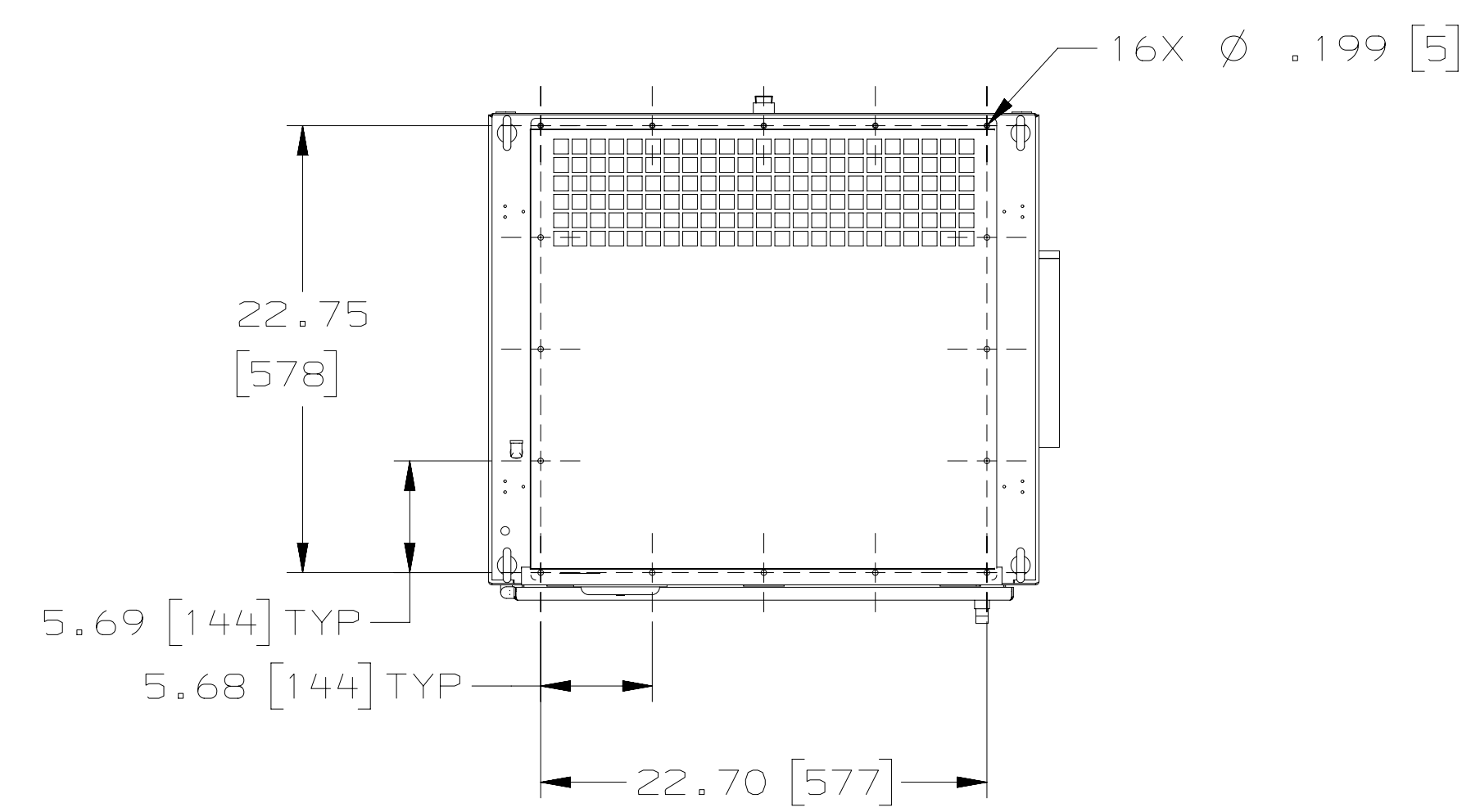
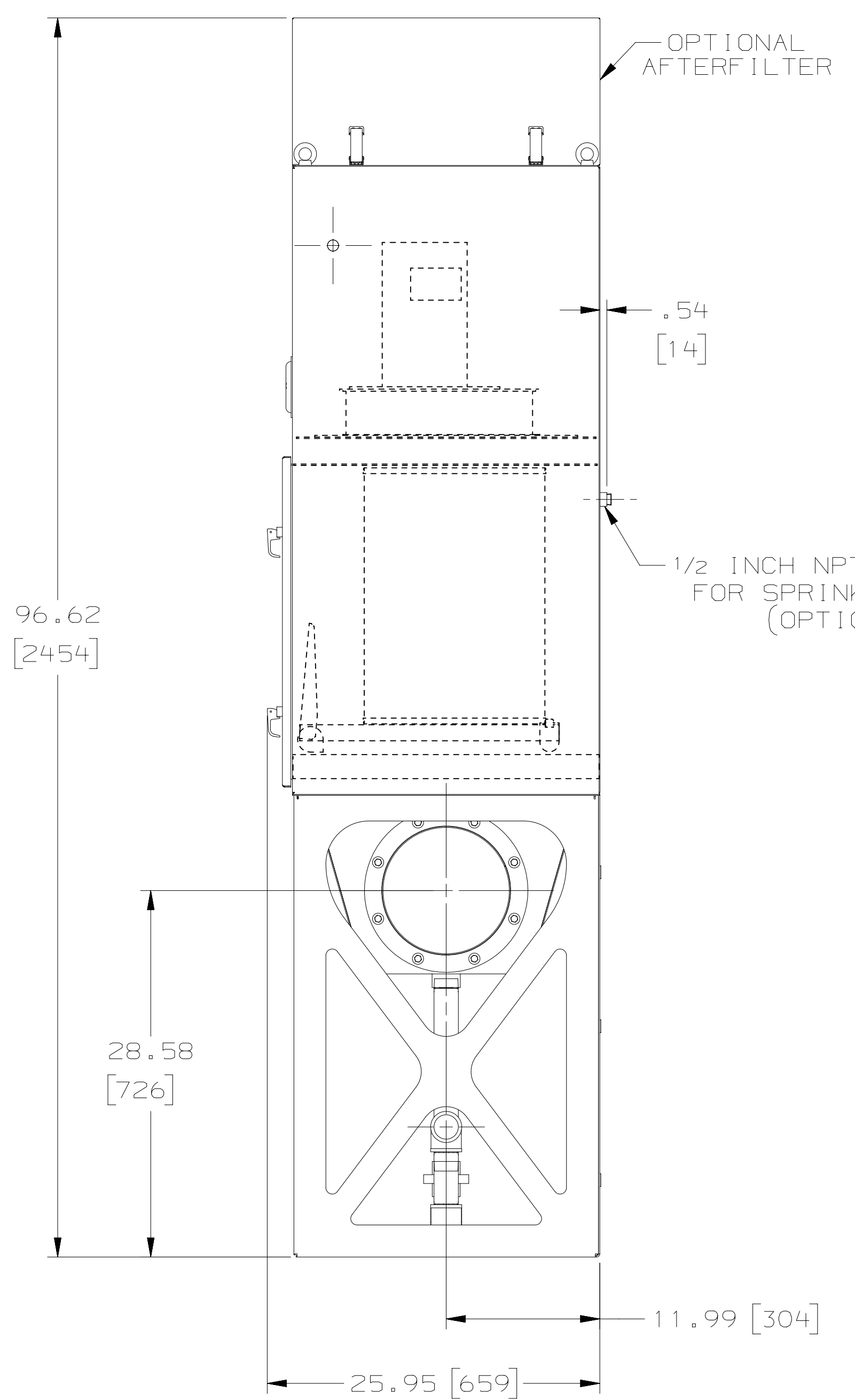
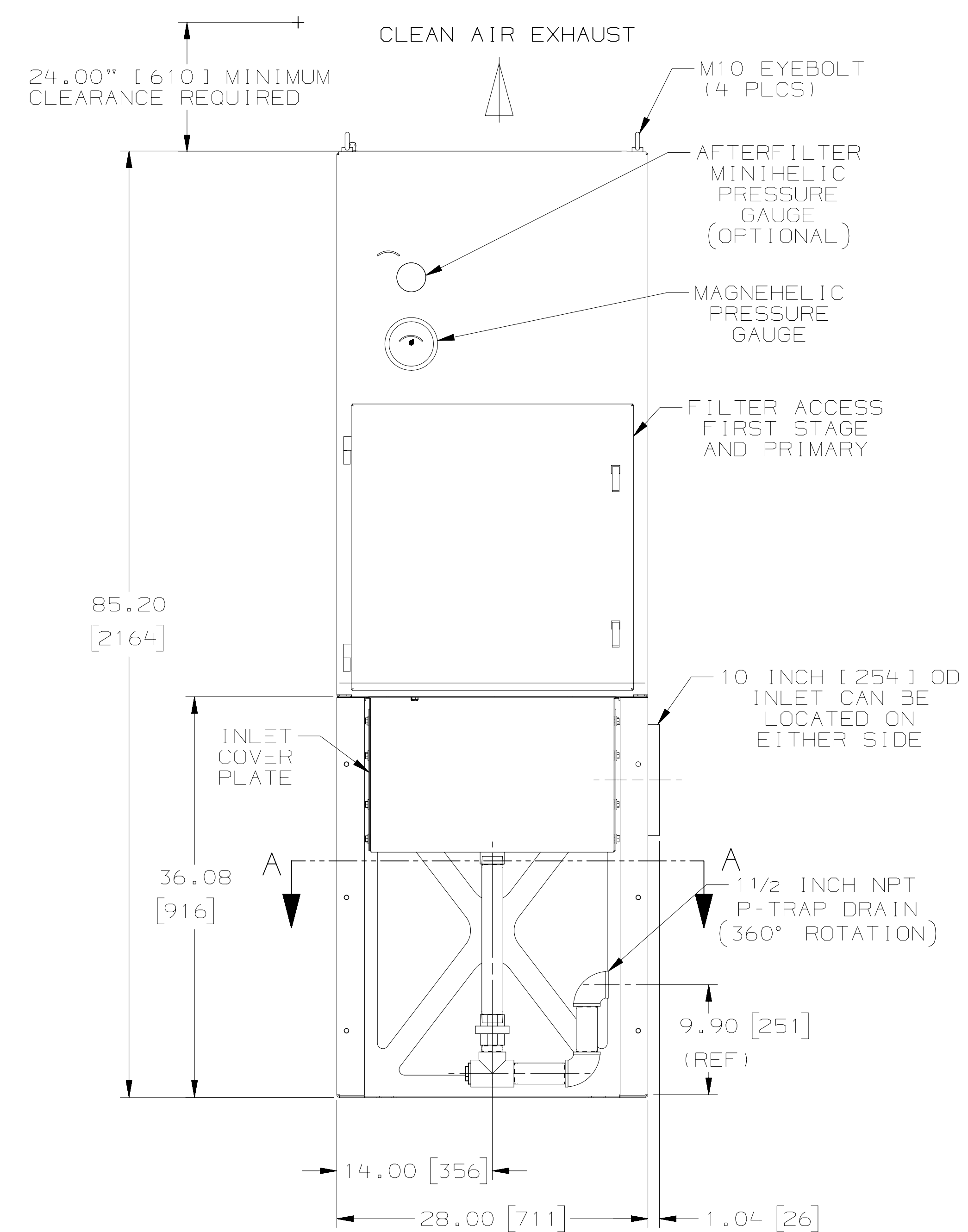


THIS DOCUMENT CONTAINS INFORMATION THAT IS CONFIDENTIAL AND/OR PROPRIETARY TO DONALDSON COMPANY, INC. ALL RIGHTS TO DISCLOSE, COPY, REPRODUCE, MANUFACTURE FROM OR DISPOSE OF THIS DOCUMENT OR ITS CONTENTS ARE RESERVED UNLESS SPECIFIED IN WRITING BY DONALDSON.

DWG NO.	REV	ZONE	REVISION DESCRIPTION	APPROVAL/DATE
	5		REVISED PICTORIALY	VCS FEB 19, 2016
			201602461	



(12" [305] CLEARANCE MINIMUM NEEDED FOR AIR EXHAUST)

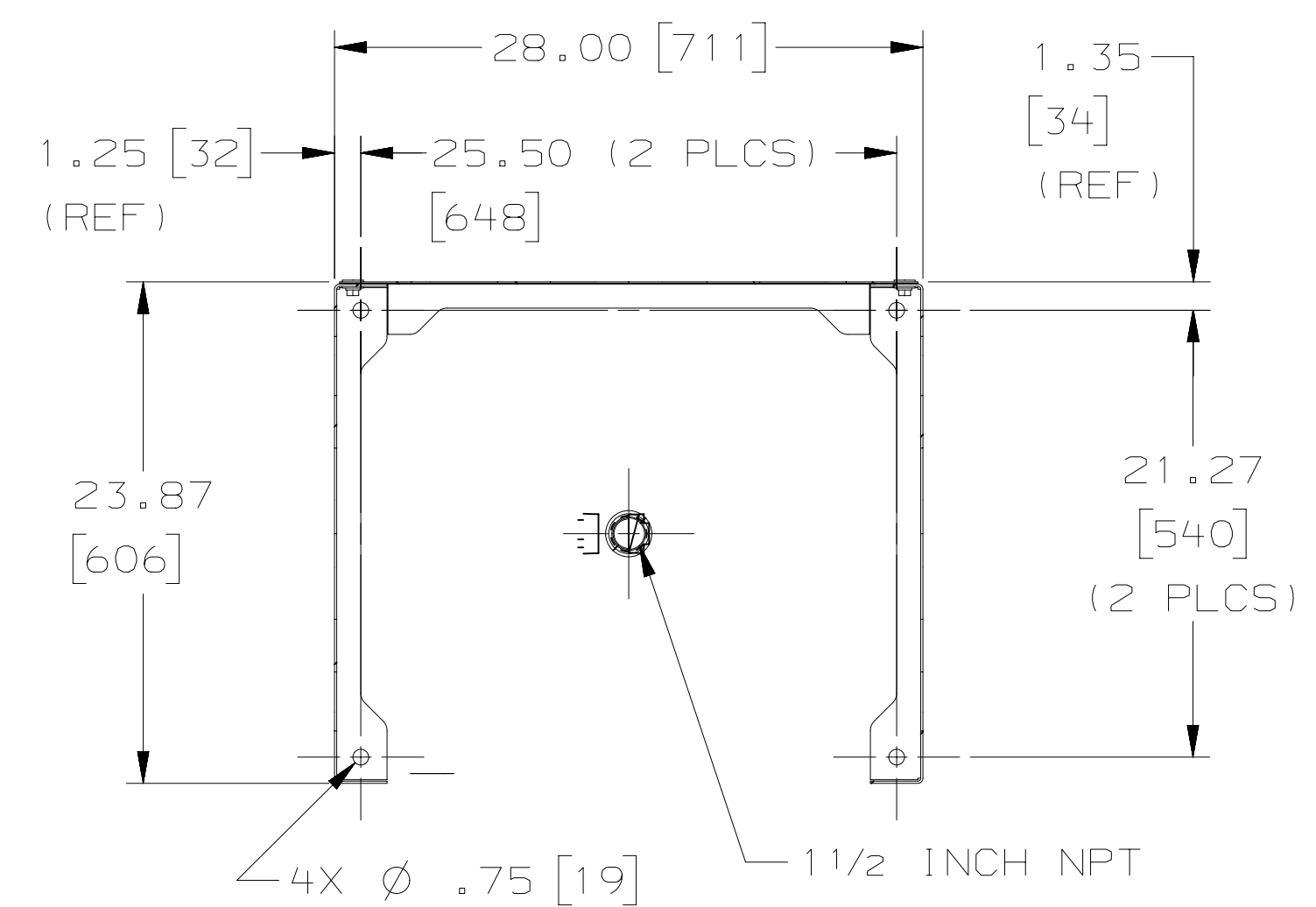


SPECIFICATIONS MODEL WSO 20

RATED AIR FLOW..... 1260 CFM [2140 m³/hr]
 PRIMARY FILTER HEIGHT..... 20 INCHES [508]
 HOUSING RATING..... -20 INCHES WG [-508 mmwg]
 STANDARD COLOR..... BLUE
 APPROXIMATE WEIGHT (CLEAN)..... 385 LBS [175 kg]
 SOUND..... 70.4 DBA (WITH AFTERFILTER)
 68.6 DBA (NO AFTERFILTER)
 MOTOR HORSEPOWER..... 3 HP

IBC 2009 SPECIFICATIONS:

OCCUPANCY CATEGORY 2
 BASIC WIND SPEED & EXPOSURE :90 MPH, [145 km/hr]
 EXPOSURE C, 3 SEC GUST
 SEISMIC SPECTRAL ACCELERATION, S_s=1.5 & S_i=0.6, SITE CLASS D
 GROUND SNOW LOAD, P_g:40 PSF [195 Kg/m²]
 ROOF LIVE LOAD, L_r : 20 PSF [83 Kg/m²]
 COLLECTOR BASE AT GRADE



SECTION A-A ANCHOR BOLT PATTERN

ANCHOR BOLTS BY OTHERS. FINAL SELECTION WILL DEPEND ON JOBSITE LOAD CONDITIONS, FOUNDATION DESIGN, LOCAL CODES, ETC. CONSULT PRODUCT IOM FOR GENERAL INSTALLATION INFORMATION.

NOTES:

- DO NOT INSTALL OR OPERATE THIS EQUIPMENT UNTIL YOU HAVE READ AND UNDERSTOOD THE INSTRUCTIONS AND WARNINGS IN THE INSTALLATION AND OPERATION MANUAL. FOR A REPLACEMENT MANUAL CONTACT DONALDSON COMPANY, INC. 800-365-1331
- DIMENSIONS ARE IN INCHES AND [MILLIMETERS].

THIS PRINT IS NOT CERTIFIED FOR CONSTRUCTION PURPOSES AND IS SUBJECT TO CHANGE WITHOUT NOTICE.

MATERIAL	RELEASE NO.06A7025 DATE JUL 06, 2006 EXP DATE DWN K.SCHIELD	TITLE WSO 20 MIST COLLECTOR FLOOR MOUNT	
REFERENCE SEE MBM	DATE MAR 20, 2006 CHK M.ESPEDAL	NUMBER WSO AD3615402	
PREVIOUS DRAWING NO.	DATE MAR 20, 2006 APVD T.SPORRE	SCALE NONE SHEET 1 OF 1 REVISION NX/CADD	Donaldson Co., Inc. Minneapolis, MN USA IAF
DO NOT SCALE	TOLERANCES UNLESS OTHERWISE SPECIFIED 2 PL ± 3 PL ± ANGLES ±°	DATE MAR 20, 2006 THIRD ANGLE PROJECTION	
DESIGN CONTROL A004		DWG LOCATION A101	VERSION A
COPYRIGHT © DONALDSON COMPANY, INC. L D			

TORIT WSO 20