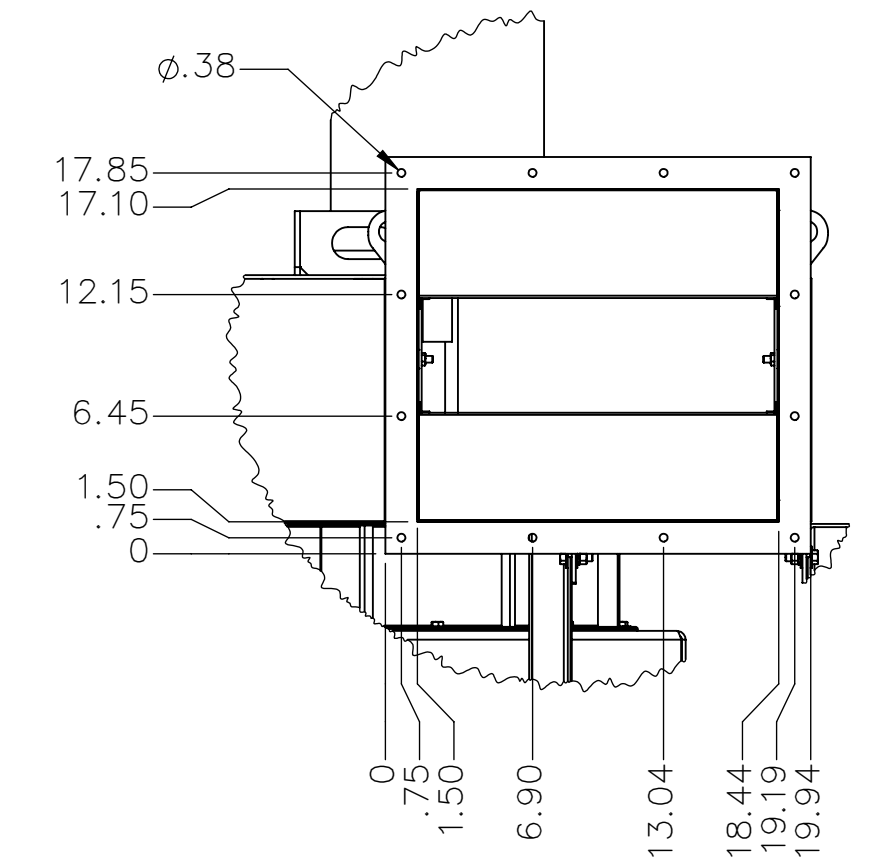
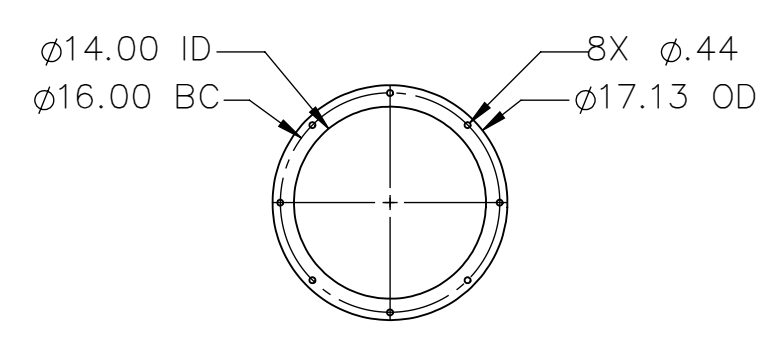
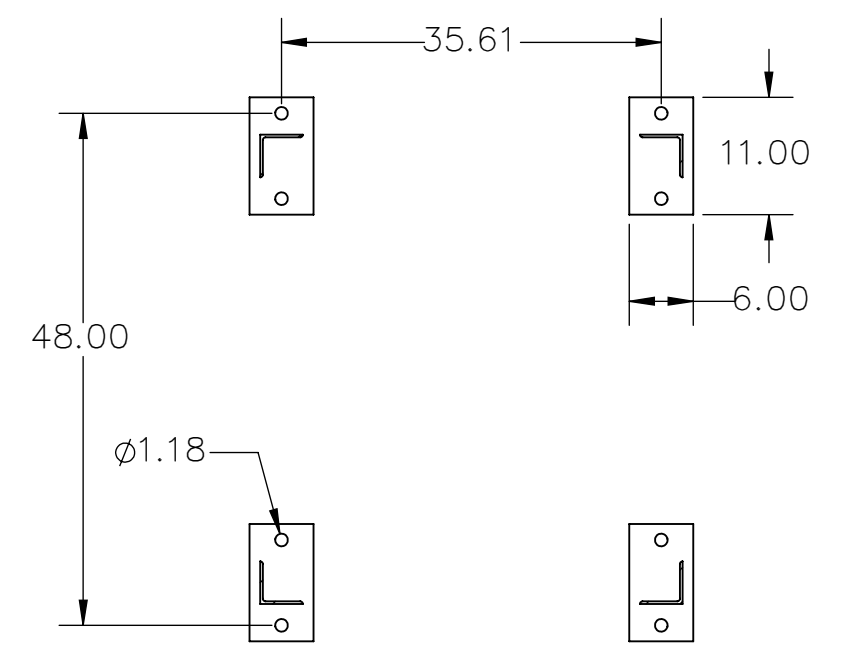
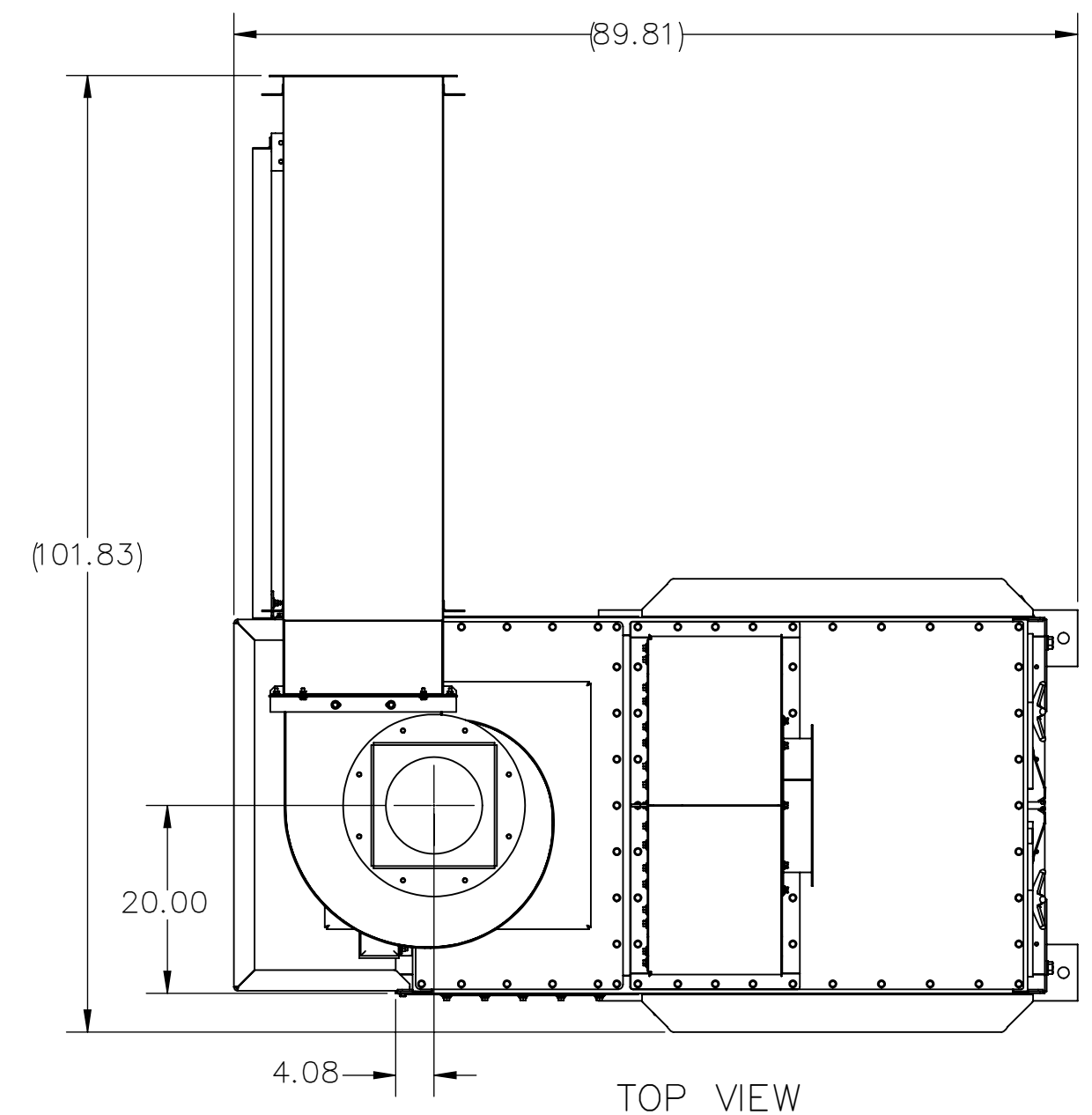


THIS DOCUMENT CONTAINS INFORMATION THAT IS CONFIDENTIAL AND/OR PROPRIETARY TO DONALDSON COMPANY, INC. ALL RIGHTS TO DISCLOSE, COPY, REPRODUCE, MANUFACTURE FROM OR DISPOSE OF THIS DOCUMENT OR ITS CONTENTS ARE RESERVED UNLESS SPECIFIED IN WRITING BY DONALDSON.

REVISIONS		
REV	DESCRIPTION	DWN/DATE
1	RELEASED FROM APPROVAL W/O CHANGES	AJS 9/8/23



SPECIFICATIONS
DFE 3-6

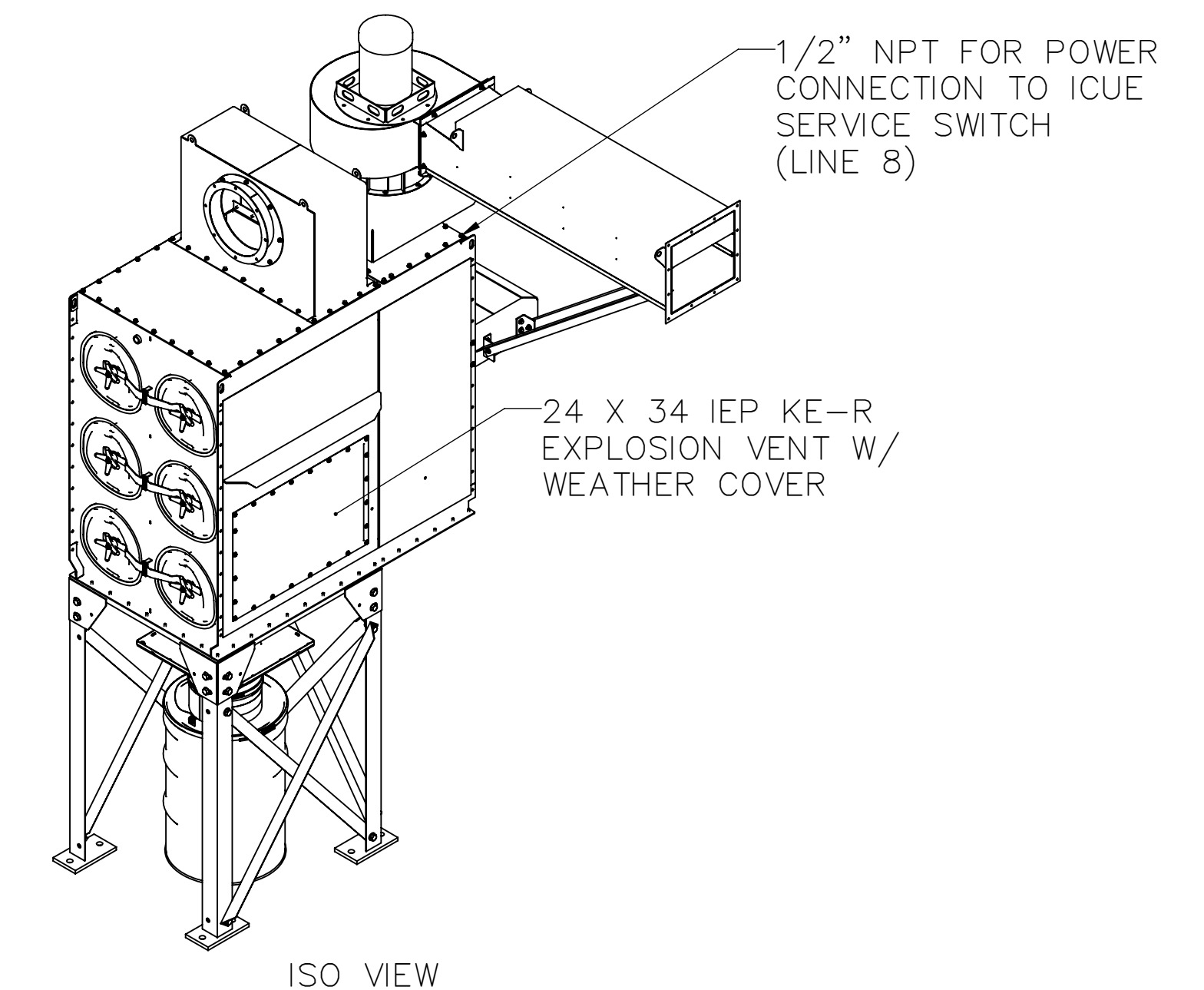
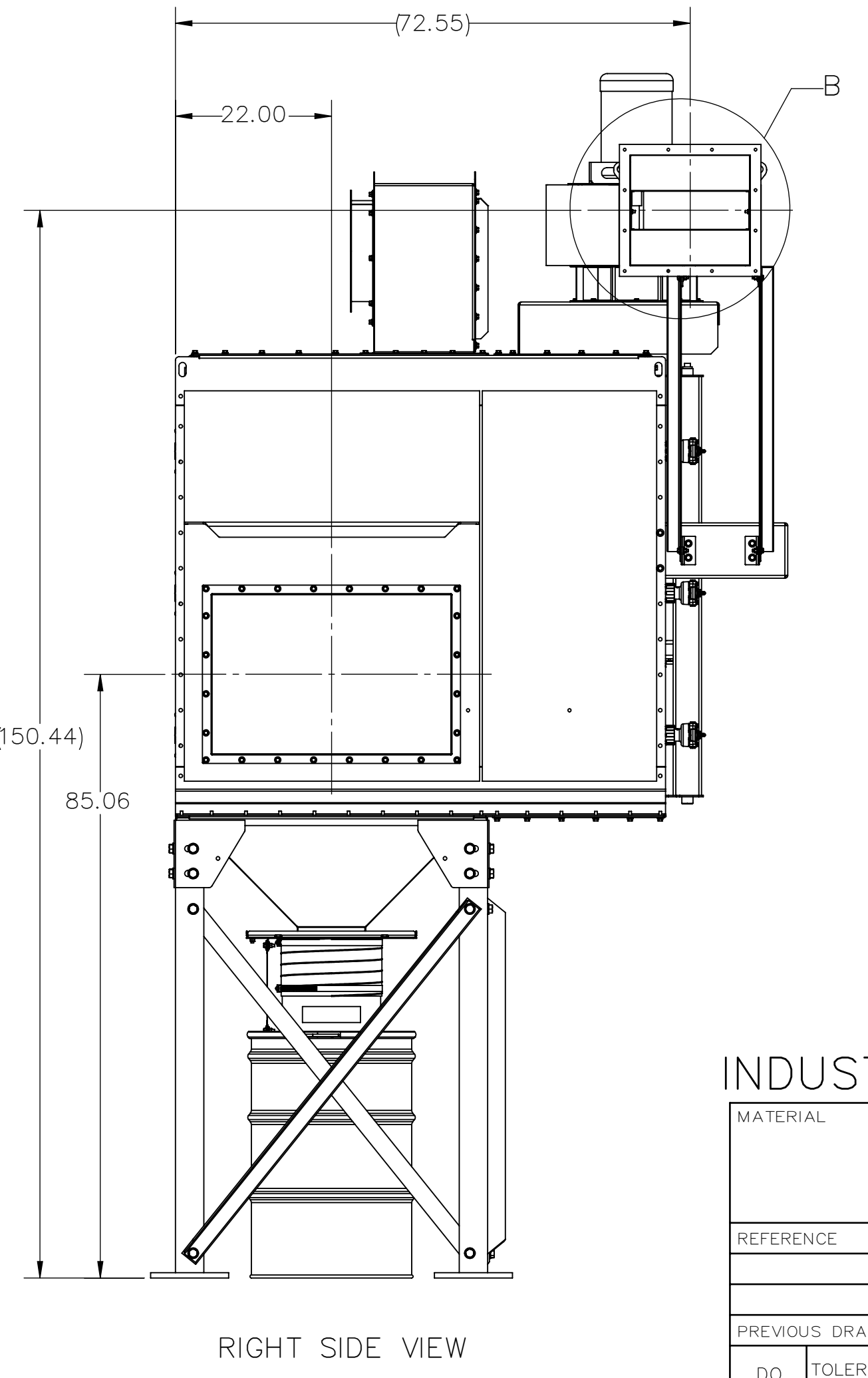
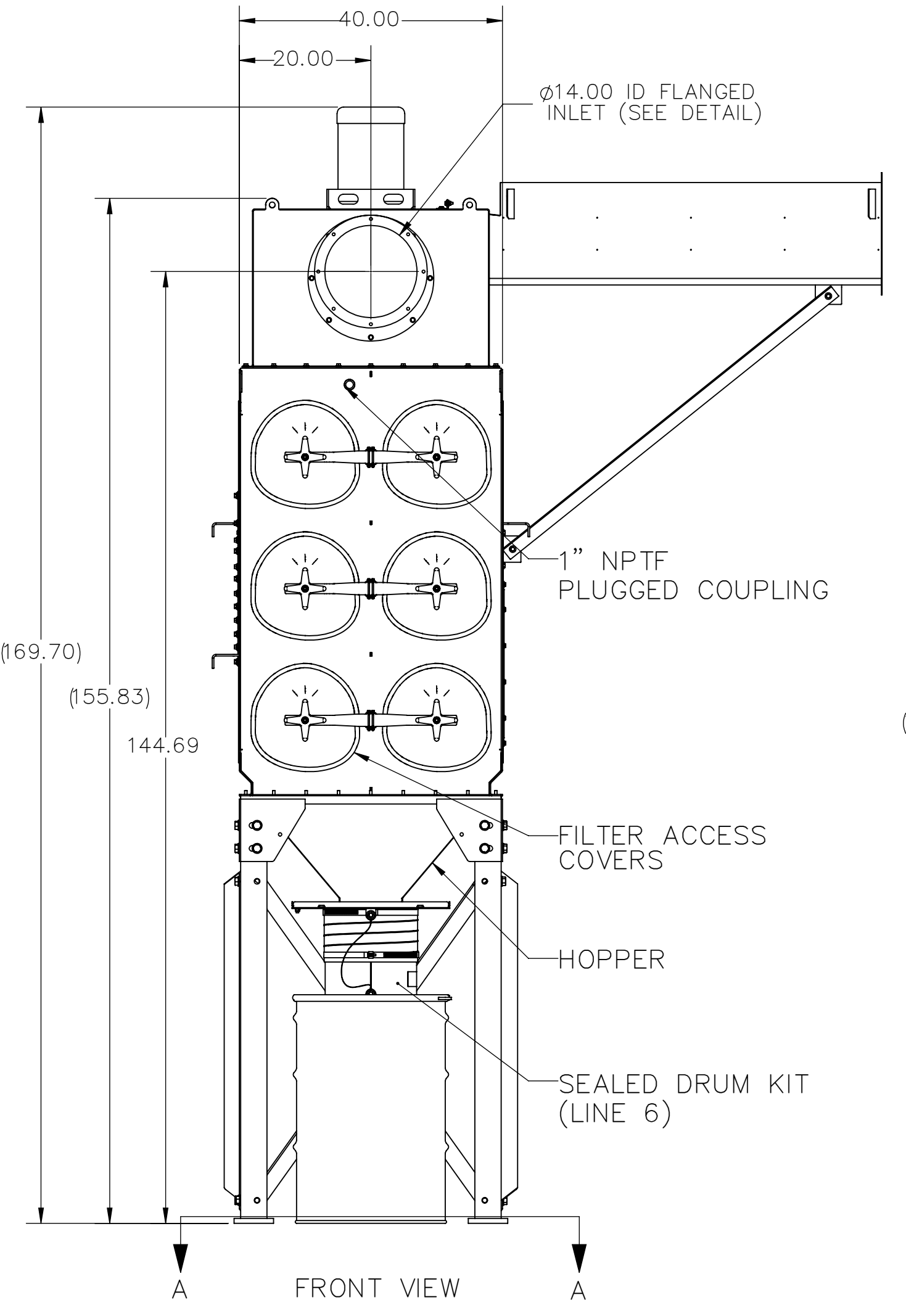
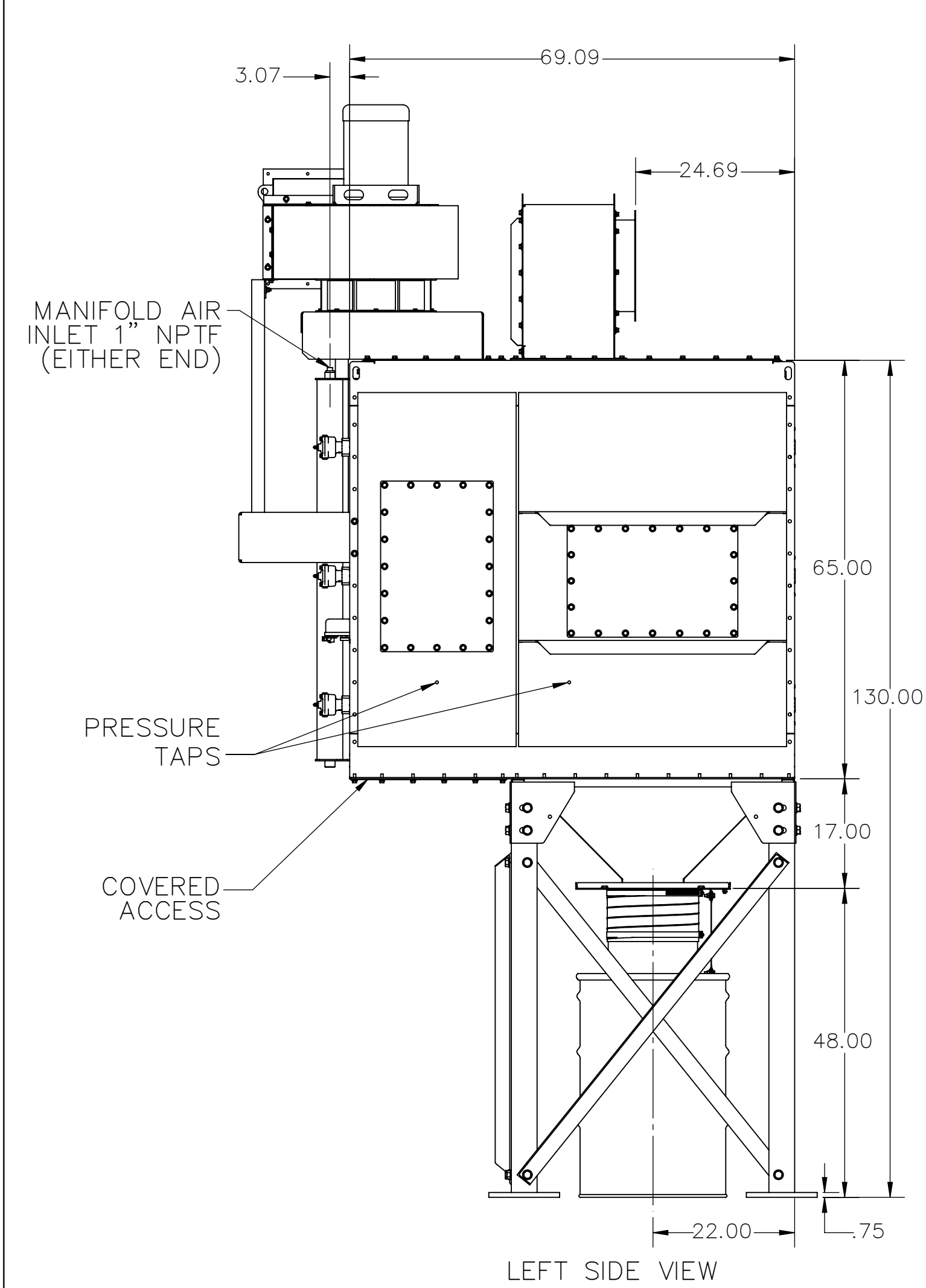
POWER	10 HP POWER PACK-STL
	460/60/3 TEFC TBI
	W/ SILENCER
REMOTE TIMER	110 VAC 50/60 HZ
NUMBER OF FILTERS	6 ULTRA-WEB FR
ACTUAL FILTER AREA	1,524 SQ FT
P-RED	0.40 BAR
OPERATING TEMPERATURE	180°F MAX
NUMBER OF VALVES	6
COMPRESSED AIR REQUIRED	5.2 SCFM @ 60 PSIG
HOUSING RATING	-25" WC
FINISH	NATIONAL BLUE
APPROXIMATE WEIGHT	3,200 LBS

IBC 2018 SPECIFICATIONS:

RISK CATEGORY 2
 BASIC WIND SPEED & EXPOSURE: 115 MPH, EXPOSURE C, 3 SEC GUST
 SEISMIC SPECTRAL ACCELERATION, S_s=1.50 & S₁=0.60, SITE CLASS D
 GROUND SNOW LOAD, P_g: 40 PSF
 ROOF LIVE LOAD, L_r: 20 PSF
 COLLECTOR BASE AT GRADE

NOTE:

- DO NOT INSTALL OR OPERATE THIS EQUIPMENT UNTIL YOU HAVE READ AND UNDERSTOOD THE INSTRUCTIONS AND WARNINGS IN THE INSTALLATION AND OPERATION MANUAL. FOR A REPLACEMENT MANUAL CONTACT DONALDSON CO INC. (800-365-1331).
- ANCHOR BOLTS BY OTHERS PER LOCAL CODES.



INDUSTRIAL AIR PURIFICATION INC

MATERIAL	RELEASE NO.	TITLE DFE 3-6 DUST COLLECTOR	
	DATE		
	EXP DATE		
	DWN A SZEMBORSKI	NUMBER	
REFERENCE	DATE 7/30/2023	IG17303097L005	
	CHK		
	DATE	SCALE NONE	SHEET 1 OF 1
PREVIOUS DRAWING NO.	APVD	C/C	SW/CADD
	DATE	SECTIONAL SIZE	OUTLINE SIZE
DO NOT SCALE	TOLERANCES UNLESS OTHERWISE SPECIFIED	2 PL ±	3 PL ±
		ANGLES ± °	
	THIRD ANGLE PROJECTION	DESIGN CONTROL A501	DWG LOCATION A888
		COPYRIGHT © DONALDSON COMPANY, INC.	



Friday, September 8, 2023 10:55:36 AM
IG17303097L005_A_SECT1.SLDRW