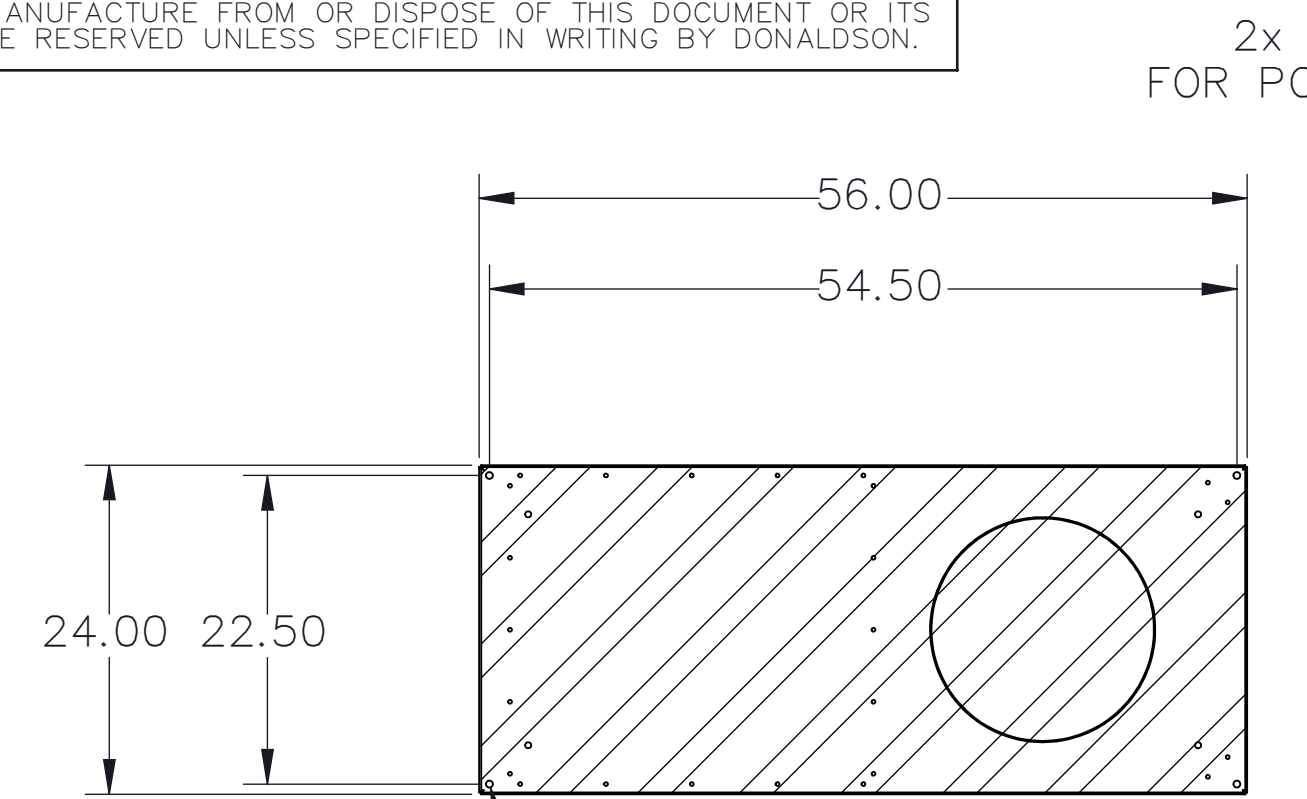


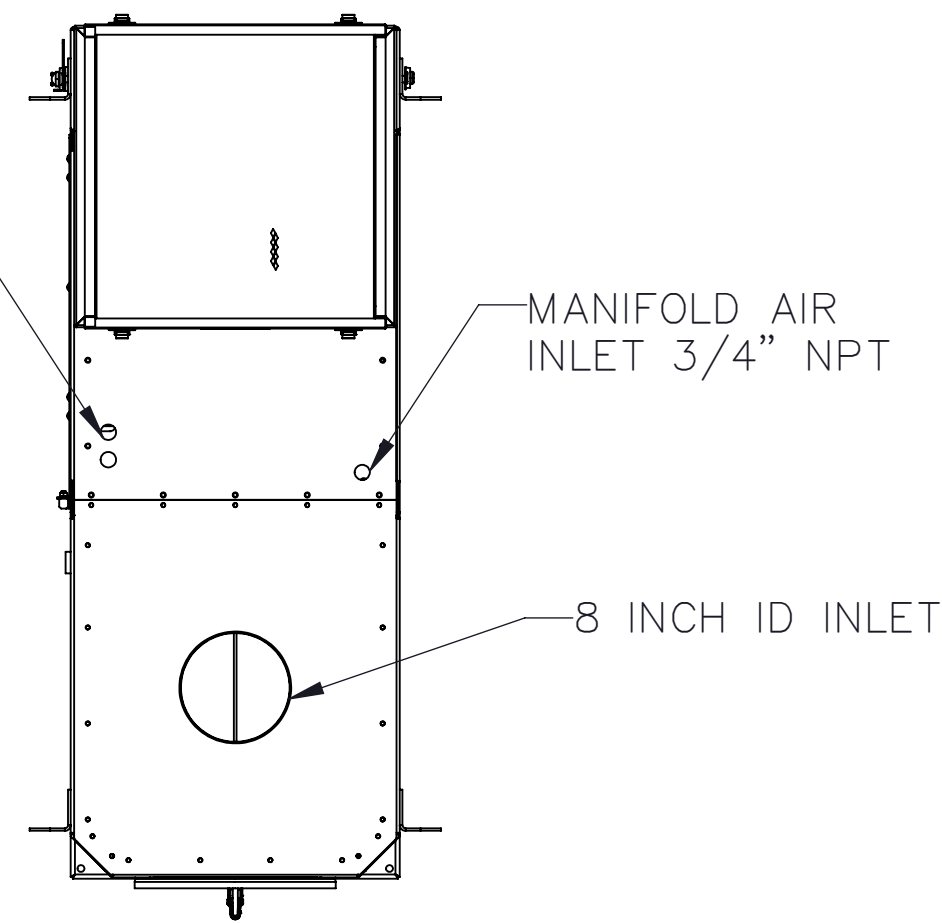
THIS DOCUMENT CONTAINS INFORMATION THAT IS CONFIDENTIAL AND/OR PROPRIETARY TO DONALDSON COMPANY, INC. ALL RIGHTS TO DISCLOSE, COPY, REPRODUCE, MANUFACTURE FROM OR DISPOSE OF THIS DOCUMENT OR ITS CONTENTS ARE RESERVED UNLESS SPECIFIED IN WRITING BY DONALDSON.

REVISIONS		
REV	DESCRIPTION	DWN/DATE

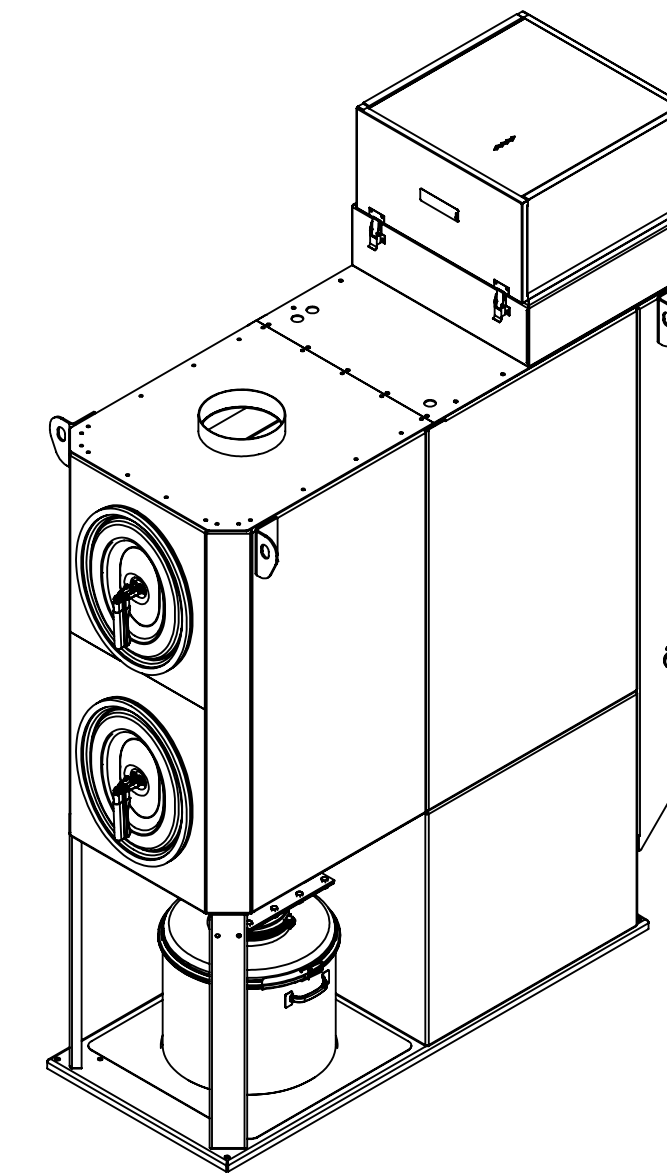


SECTION A-A  
ANCHOR BOLT PLAN

2x Ø1.13 HOLES FOR POWER SUPPLY



TOP VIEW



ISO VIEW

SPECIFICATIONS DOWNFLO 2-2

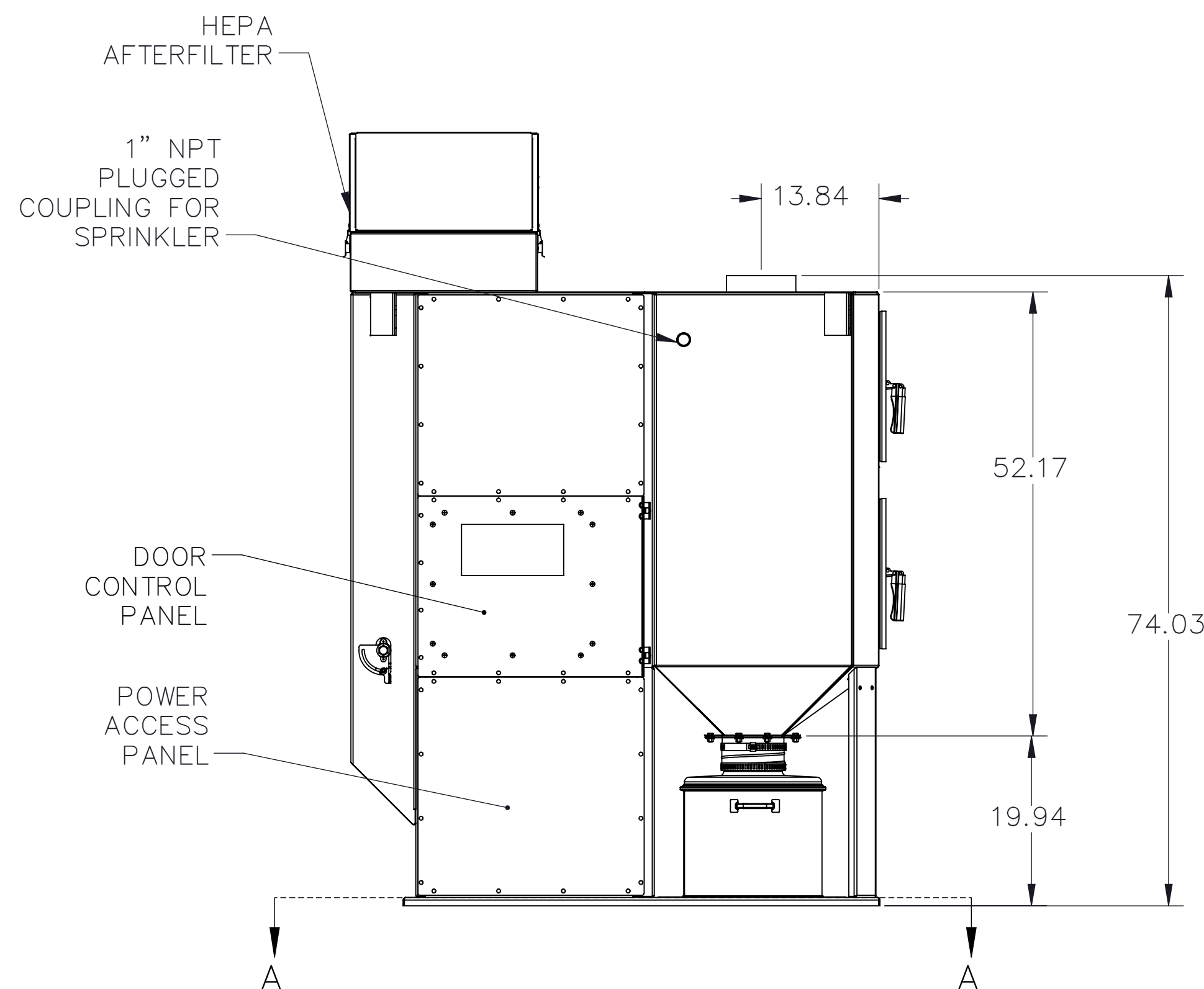
POWER	3 HP 460/60/3 VAC
CONTROL TIMER	110V/60/1 (STANDARD)
NUMBER OF FILTERS	2 ULTRA-WEB FR
ACTUAL FILTER AREA	380 SQ FT
P-RED	.18 BAR
OPERATING TEMPERATURE	180 DEGREE F MAXIMUM
NUMBER OF VALVES	2
COMPRESSED AIR REQUIRED	5.2 SCFM @ 60 PSIG
HOUSING RATING	-20 WC
FINISH	TORIT BLUE (STANDARD)
APPROXIMATE WEIGHT	974 LBS

IBC 2009 SPECIFICATIONS:

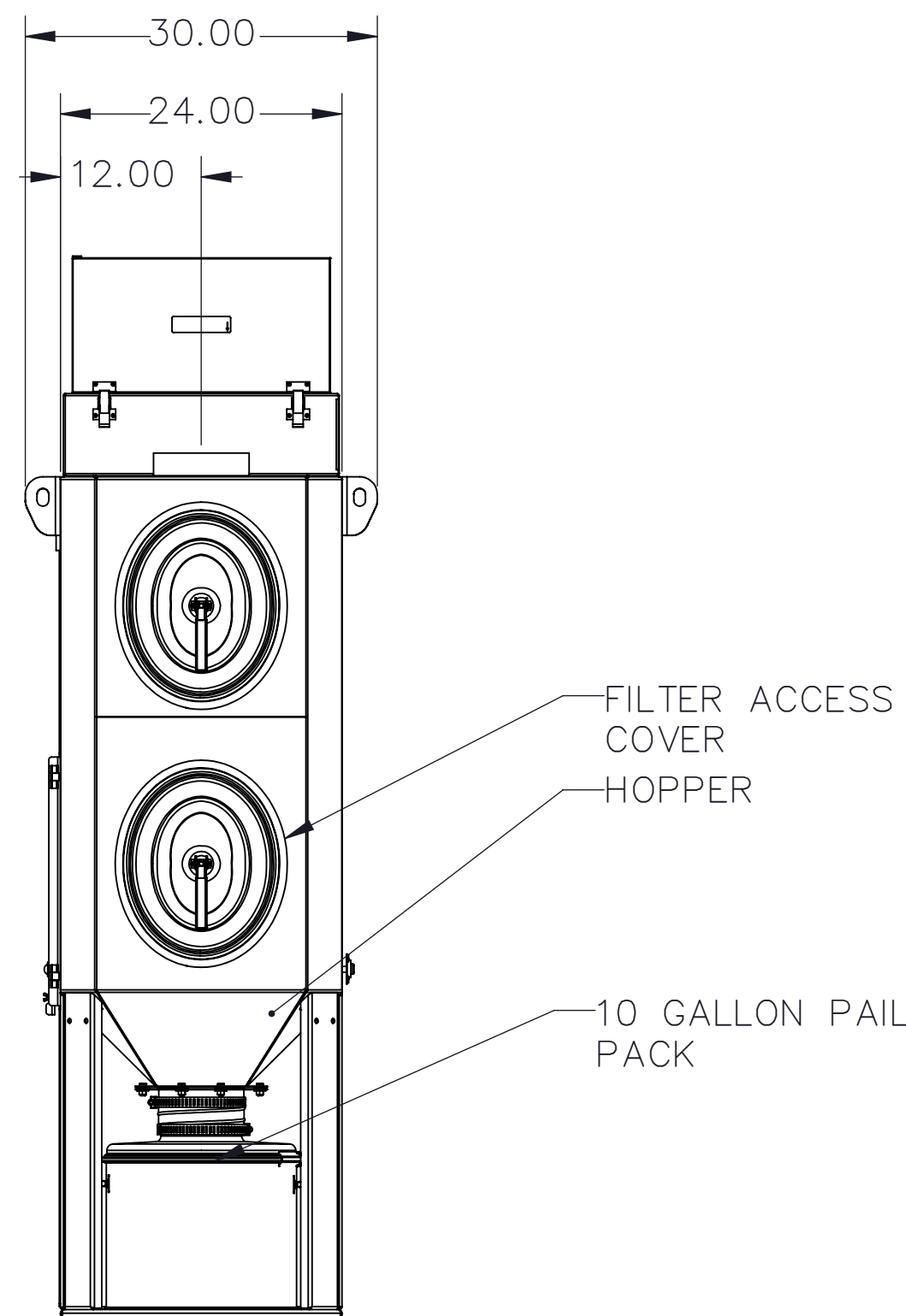
OCCUPANCY CATEGORY 2  
 BASIC WIND SPEED & EXPOSURE: 90 MPH, EXPOSURE C, 3 SEC GUST  
 SEISMIC SPECTRAL ACCELERATION, SS=1.50 & S1=0.60, SITE CLASS D  
 GROUND SNOW LOAD, PG: 40 PSF  
 ROOF LIVE LOAD, LR: 20 PSF  
 COLLECTOR BASE AT GRADE

NOTE:

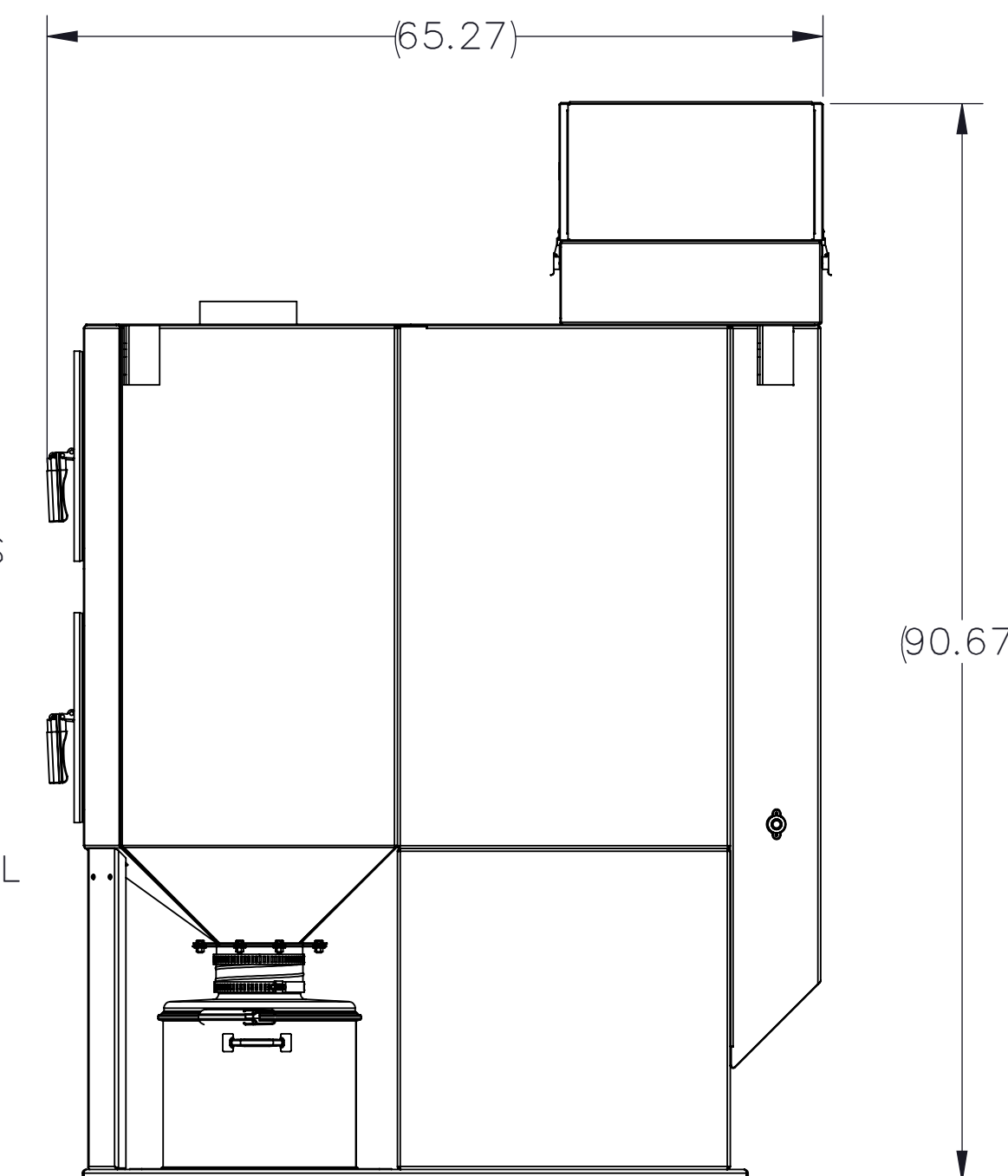
- DO NOT INSTALL OR OPERATE THIS EQUIPMENT UNTIL YOU HAVE READ AND UNDERSTOOD THE INSTRUCTIONS AND WARNINGS IN THE INSTALLATION AND OPERATION MANUAL. FOR A REPLACEMENT MANUAL CONTACT DONALDSON CO INC (800-365-1331).
- ANCHOR BOLTS BY OTHERS PER LOCAL CODES.
- THIS DOCUMENT IS NOT CERTIFIED FOR CONSTRUCTION AND IS SUBJECT TO CHANGE WITHOUT NOTICE.



LEFT VIEW



FRONT VIEW



RIGHT VIEW

**APPROVAL PRINT**

DATE SENT: 8/3/2023

APPROVED  
 APPROVED AS NOTED  
 NOT APPROVED

APPROVER SIGNATURE: \_\_\_\_\_

APPROVER PRINTED NAME: \_\_\_\_\_  
 DATE: \_\_\_\_\_  
 RETURN ONE SIGNED COPY

PROPERTY OF:  
 DONALDSON COMPANY, INC.

INDUSTRIAL AIR PURIFICATION INC

MATERIAL	RELEASE NO.	TITLE: DOWNFLO 2-2 DUST COLLECTOR	
	DATE		
	EXP DATE		
REFERENCE	DWN DRIVEWORKS	NUMBER	IG17303097L001
	DATE 8/3/2023	SCALE NONE	SHEET 1 OF 1
	CHK N SMITH	REVISION	0
	DATE 8/3/2023	APVD	C/C
PREVIOUS DRAWING NO.	DATE	SECTIONAL SIZE	OUTLINE SIZE
DO NOT SCALE	TOLERANCES UNLESS OTHERWISE SPECIFIED	2 PL ± .03	3 PL ± .015
		ANGLES ± 2°	
	THIRD ANGLE PROJECTION	DESIGN CONTROL A501	DWG LOCATION A888
		COPYRIGHT © DONALDSON COMPANY, INC.	



Thursday, August 3, 2023 8:16:12 AM  
IG17303097L001\_A\_SECT.SLDDRW