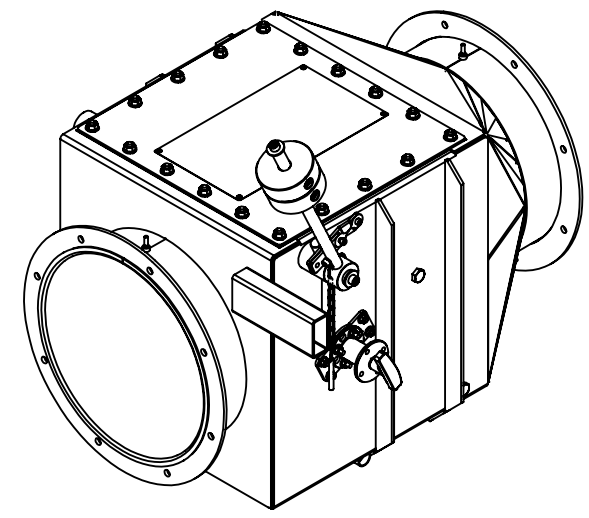
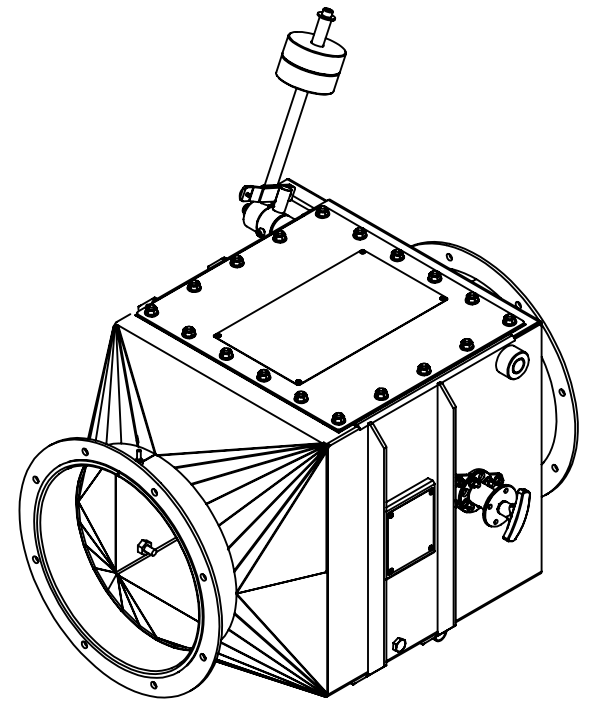
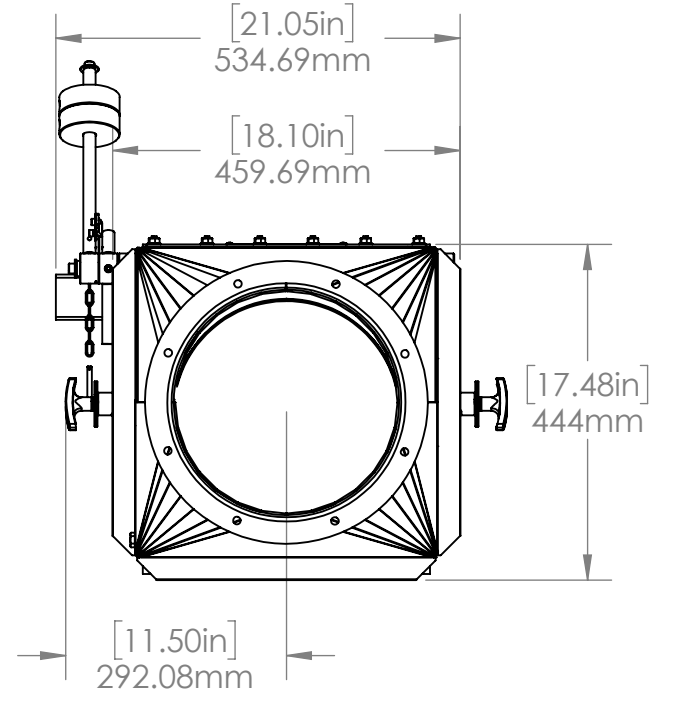
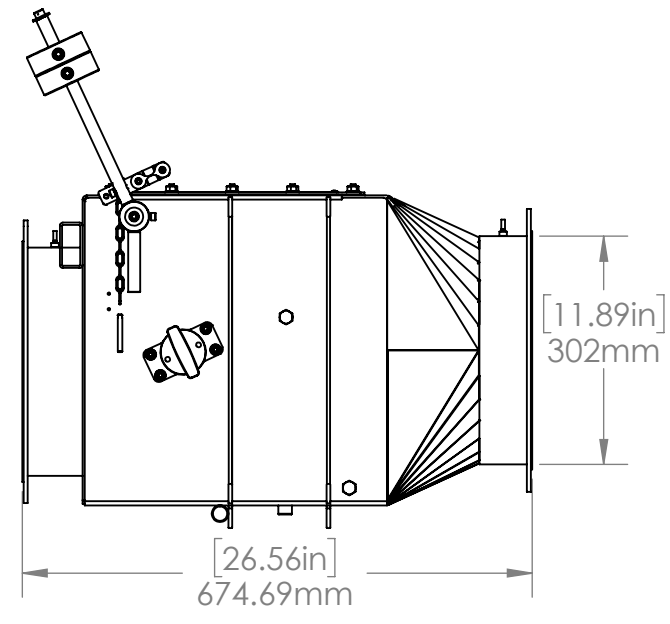
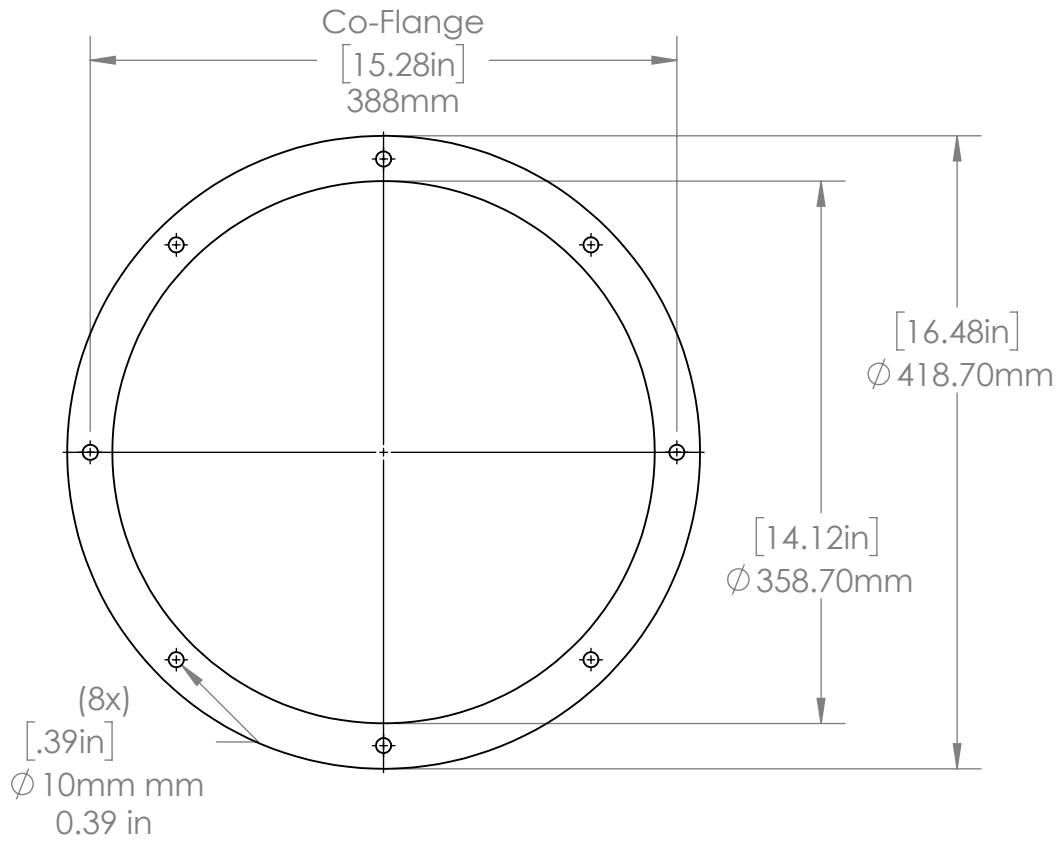
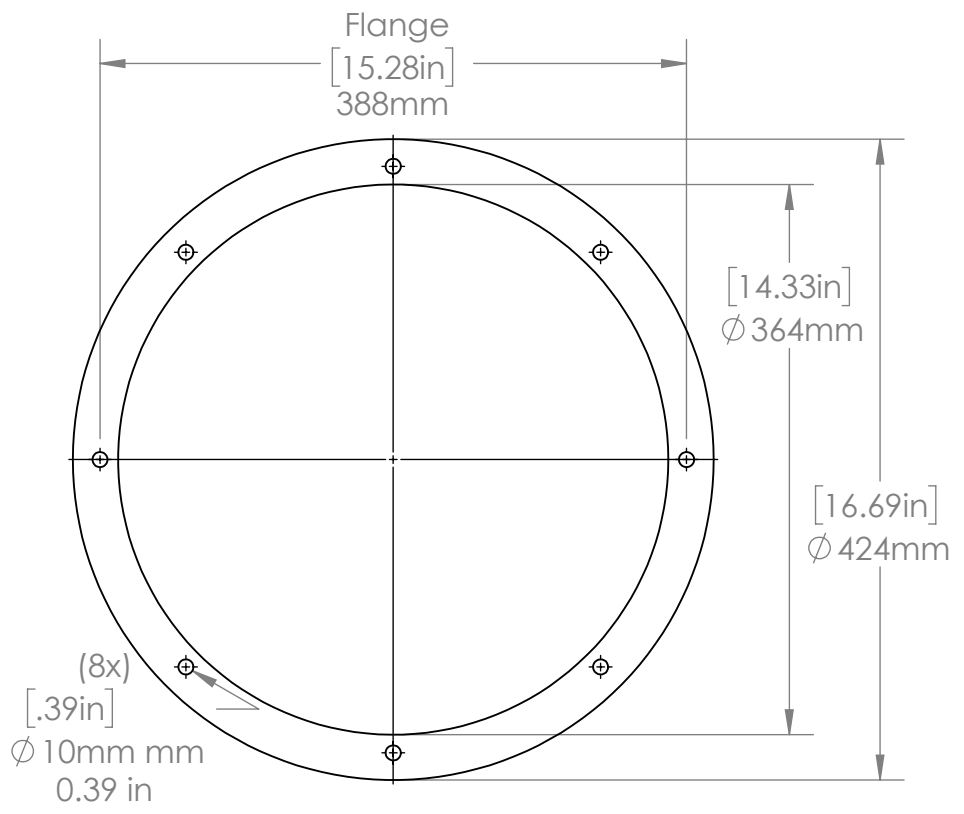


4

3

2

1



B

B

A

A

Revisions

#	Description	Date	By:

TYPE: NRVM SIZE: 14"  
SERIAL #: \_\_\_\_\_

Weight: 106lbs.  
Certified ATEX EN 16447:2014  
II D -20°C ≤ Ta ≤ 60°C  
Max Air Speed: 5905 fpm (30m/s)  
Pmax: 9.9 bar  
Minimum Ignition Energy: 10-30 mJ

Pred max: 1.0 bar  
Kst Max - Kg Max: (400 bar m/s)  
Distance Min-Max: 3m-5m  
Minimum Ignition Temperature: 410C

UNLESS OTHERWISE SPECIFIED:

DIMENSIONS ARE IN INCHES  
TOLERANCES: ± 0.0787 in  
TOLERANCES: ± 2 mm  
ANGULAR: MACH± BEND ±  
TWO PLACE DECIMAL ±  
THREE PLACE DECIMAL ±

DO NOT SCALE DRAWING

Notes:

	NAME	DATE
DRAWN		
CHECKED		
ENG APPR.		
MFG APPR.		

NRV Metal 14"  
DWG. NO. NRVM14



6729 Guada Coma Drive, Suite 100  
Schertz, Texas 78154  
210-664-4200

SCALE:1:3.5

SHEET 1 OF 1

4

3

2

1